

Fortress Gate

Heavy Duty Overhead Slide

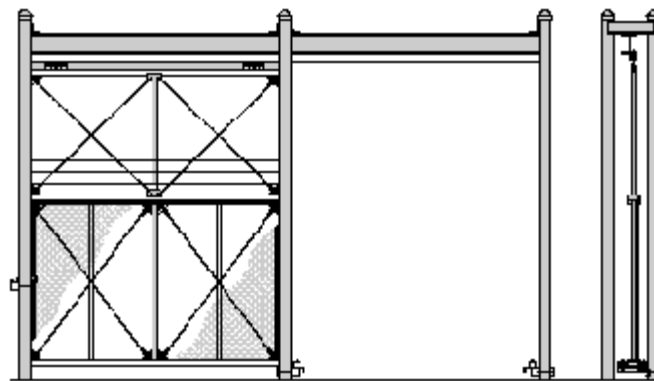


The Fortress Heavy Duty Overhead Slide Gate, manufactured by Tymetal Corp., solves closure requirements that are particularly rigorous. Truly a specialty gate, the Heavy Duty Overhead Slide Gate is made to withstand greater than normal stresses in very large openings. The installation method is versatile, as the gate may remain freestanding or may be hung between three pairs of 4" OD posts with a structural steel support beam or wall mounted with the appropriate support system.

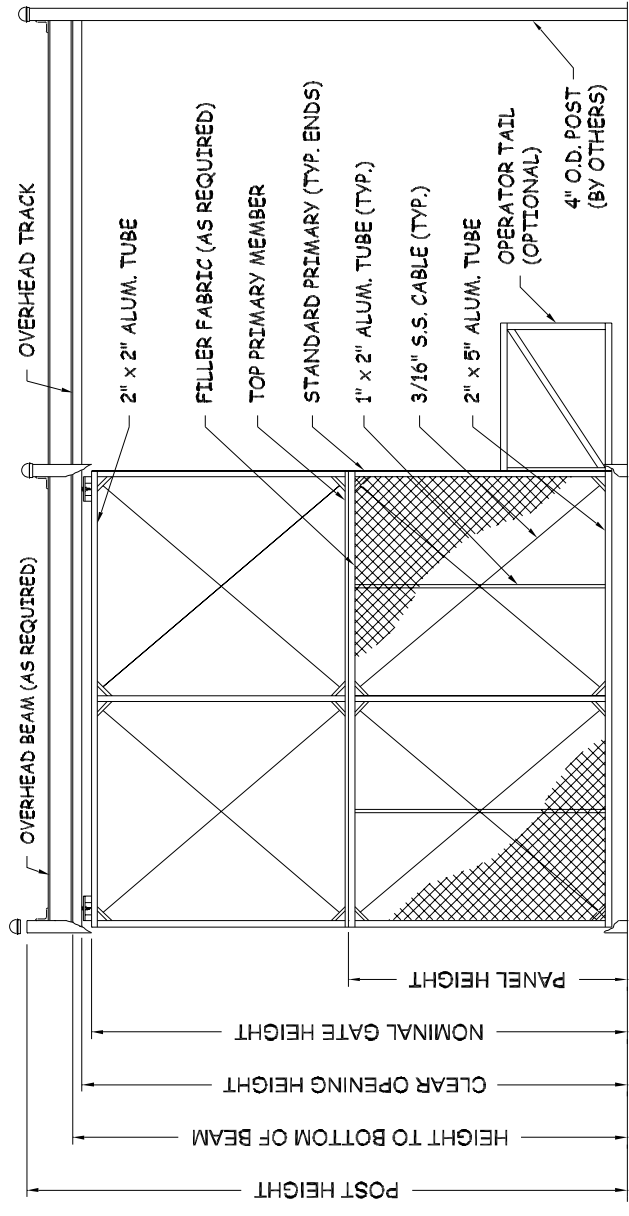
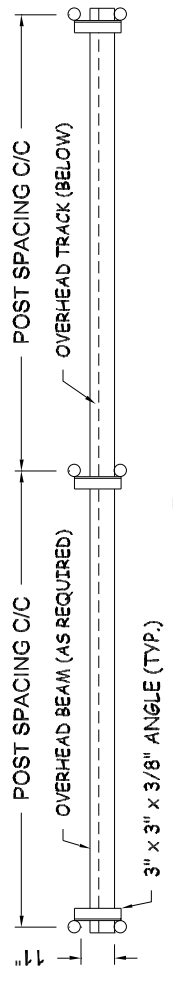
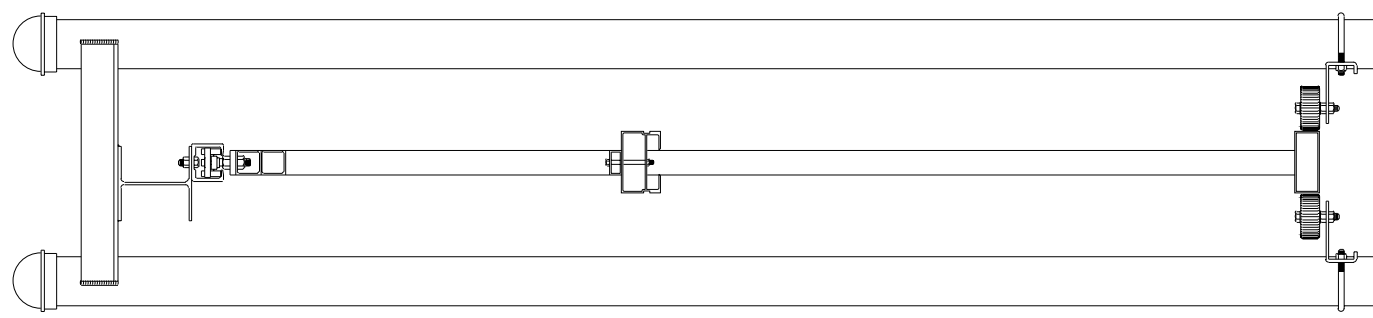
The Heavy Duty Overhead Slide Gate track is fabricated from 6063-T6 aluminum alloy extrusions. The primary members (top and bottom) are rectangular shaped in cross section with outside vertical members "P" shaped in cross section.



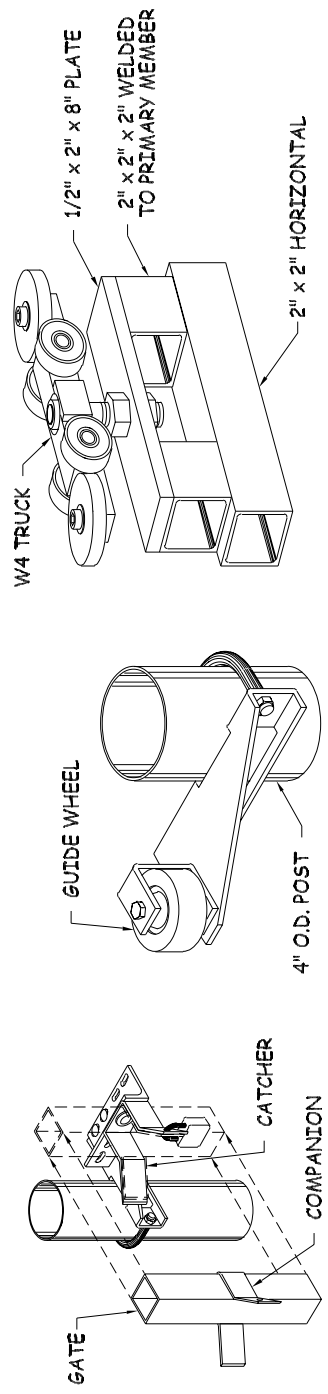
Tymetal includes cross bracing of 3/16" minimum diameter stainless steel cable throughout the gate panel to keep the frame members square. Bottom guides are included for each side of the gate at the center support post. Tymetal also supplies a minimum of two self-aligning, 4-wheeled, sealed lubricant, ball-bearing truck assemblies with each gate.



TC-12 © January 2003



NOTE:
4" SUPPORT POSTS CUT
AWAY FOR CLARITY.



HANGER ASSEMBLY

BOTTOM GUIDE

CATCH ASSEMBLY

GATE SECTION