

# Fortress Gate Vertical Lift



Tymetal's Fortress Vertical Lift Gate is specified in cases of high usage, especially when there is insufficient space outside of the gate opening for an overhead or cantilever gate to retract before hitting an obstacle. The heavy construction of the superstructure, combined with a variable speed drive mechanism, securely lifts the gate open and pulls the gate closed in a rapid motion (up to 2.2 fps).

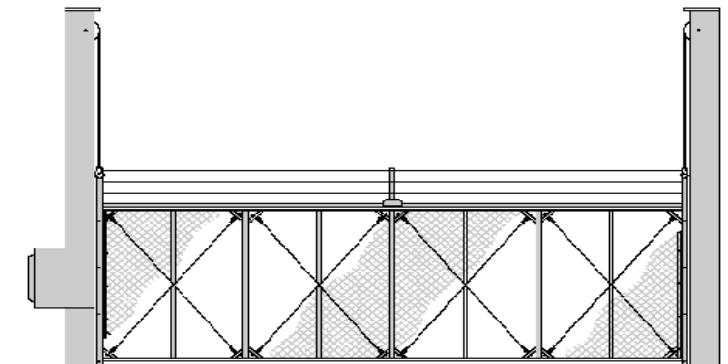


The unique high speed drive mechanism features a counterweight that runs inside both vertical support columns. Solid steel billet counterweights are provided, designed to approximate the weight of the gate which minimizes the stress on the motor and chain drive mechanisms. By incorporating a continuous loop drive system, which is connected directly to the counterweight inside the support column, the Fortress Vertical Lift Gate is assured smooth operation in either direction. The vertical support columns of the gate superstructure are



constructed of heavy duty W12x53 structural steel. Fully assembled rebar cages are also provided for the column footings.

The gate frame is fabricated from 6063-T6 aluminum alloy extrusions in one or more sections. The gate is attached to the vertical track by means of four self-aligning, 4-wheeled, sealed lubricant, ball-bearing truck assemblies. Standard finishes are mill finish aluminum for the gate panel and hot dip galvanized for the lifting columns and motor box. A variety of optional color choices is also available.

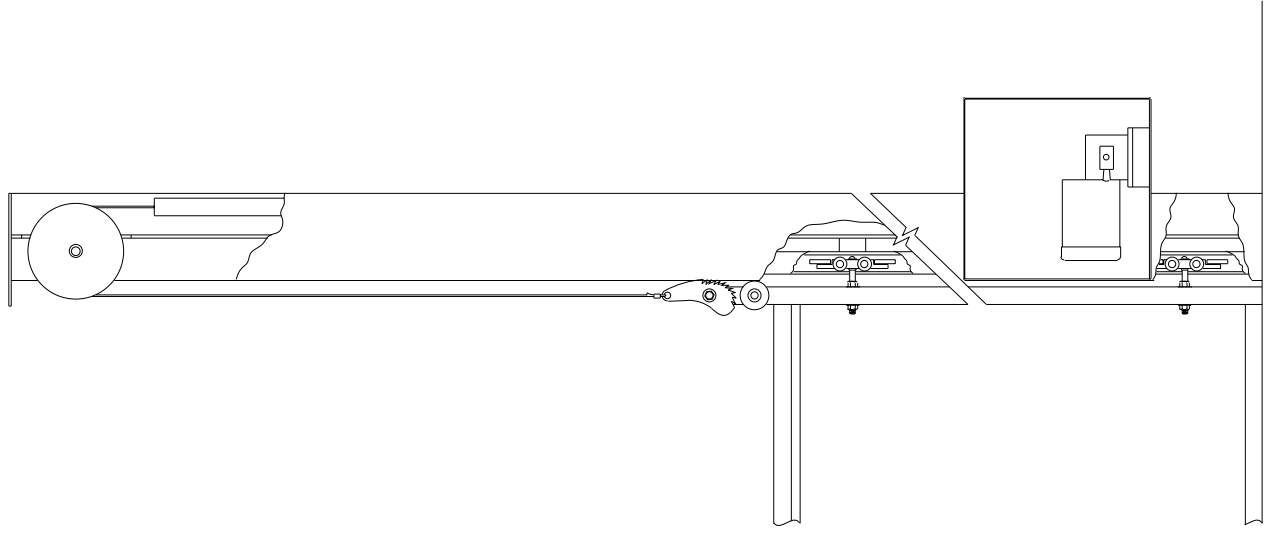
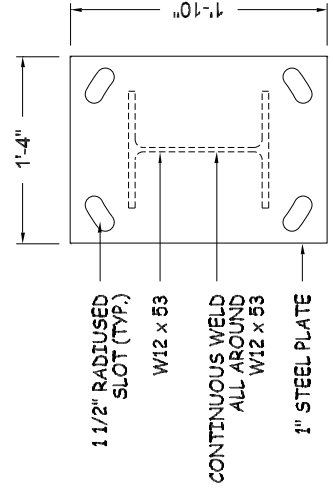
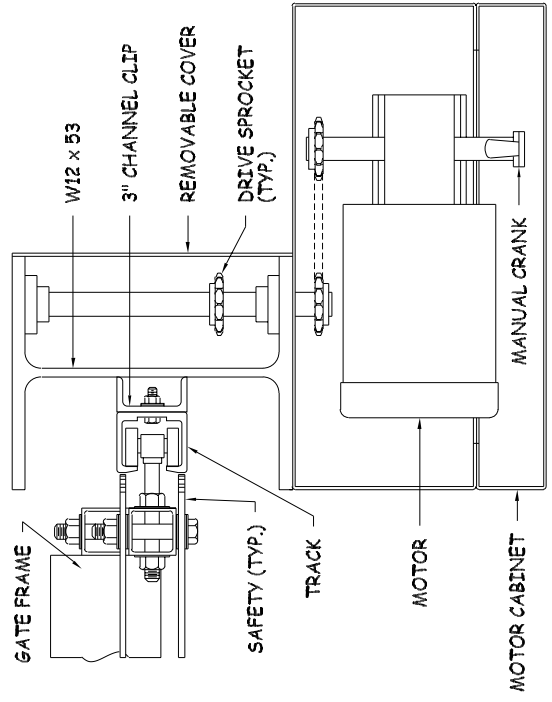
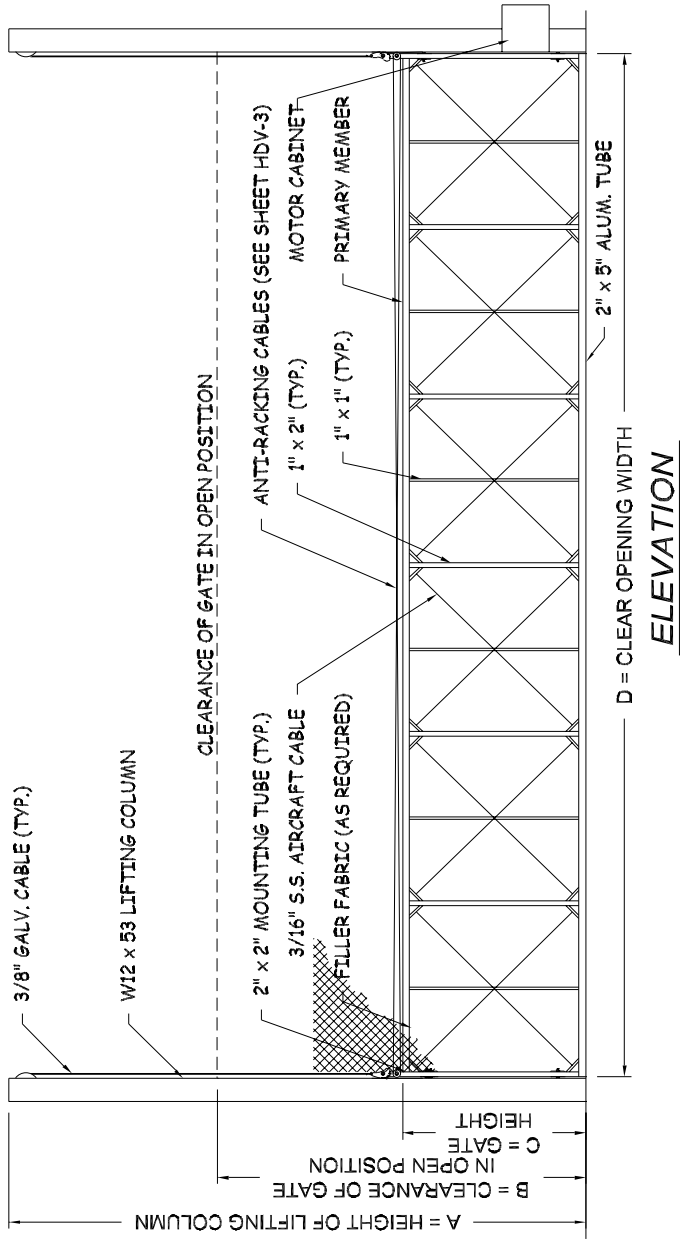


TC-13 © January 2006

Greenwich, NY  
Pearland, TX

A FORT MILLER GROUP COMPANY  
[WWW.TYMETAL.COM](http://WWW.TYMETAL.COM)

1-800-328-4283  
FAX: 1-518-692-9404



**DRIVE ASSEMBLY SECTION**

**BASE PLATE DETAIL**

**DRIVE ASSEMBLY ELEVATION**