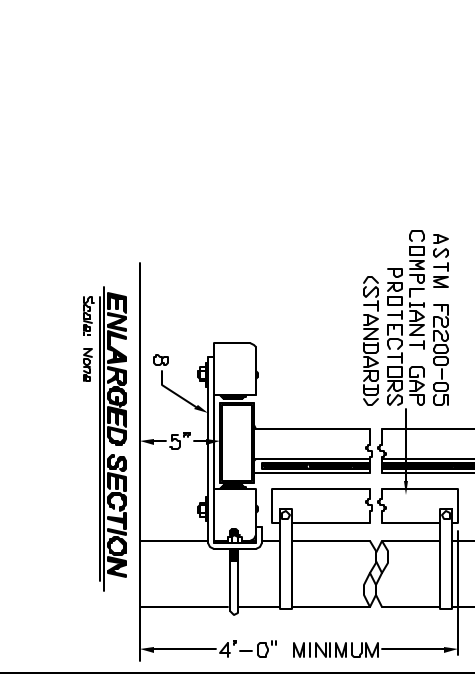
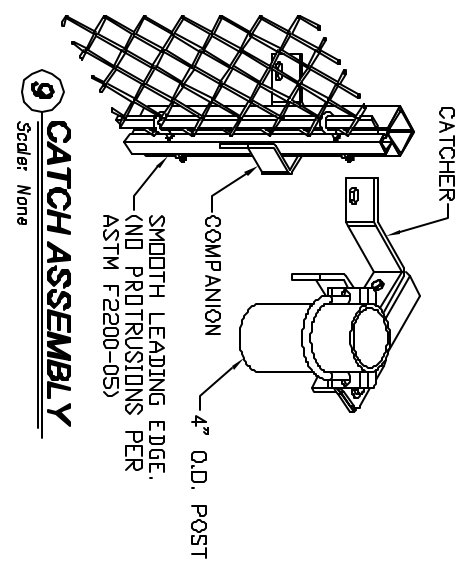
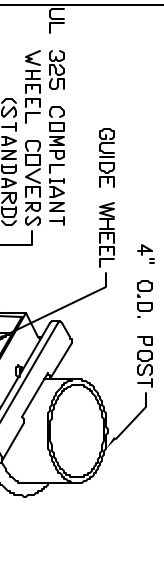
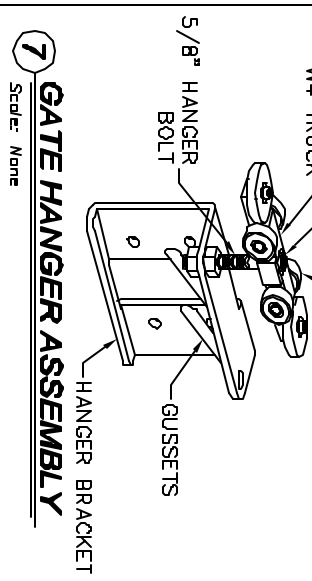
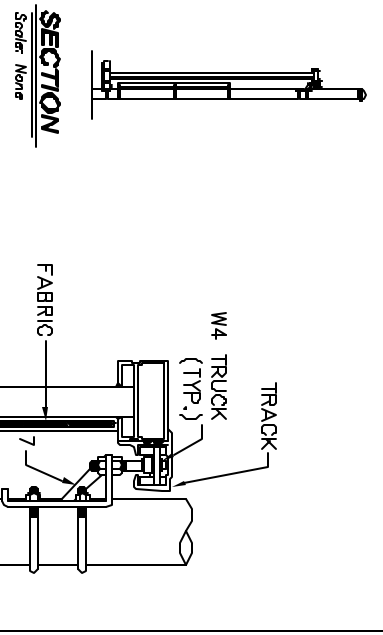
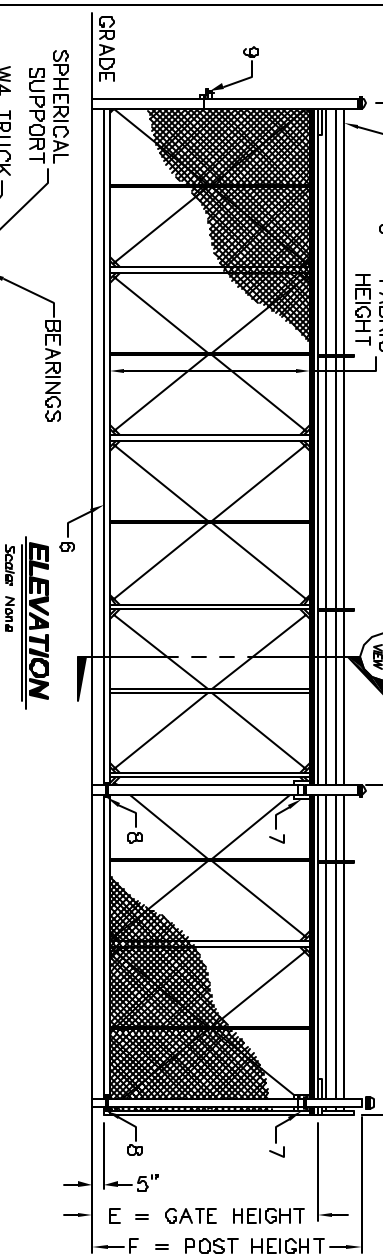


CRITICAL DIMENSION CHART

MARK	DESCRIPTION	FORMULA	DIM.
A	CLEAR OPENING	A	-
B	COUNTERBALANCE POST SPACING C/C	(A/2)-1"1"	-
C	OVERALL GATE LENGTH	A x 1.5	-
D	COUNTERBALANCE LENGTH	A x 0.5	-
E	NOMINAL GATE HEIGHT	E	-
F	POST HEIGHT (W/ BARB ARMS)	E + 1'-6"	-
G	FABRIC HEIGHT	E - 1'-0"	-



8 BOTTOM GUIDE
Scale: None

- NOTES:
 1. ALL FITTINGS STANDARDLY PROVIDED FOR 4" O.D. POSTS. OTHER SIZES AVAILABLE UPON REQUEST.
 2. BARB ARMS (FOR BARBED WIRE) OPTIONAL.



2549 STATE ROUTE 40
 GREENWICH, N.Y. 12834
 PH: (800) 328-4263 - FX: (518) 892-9404

HEAVY DUTY CANTILEVER SLIDE GATE