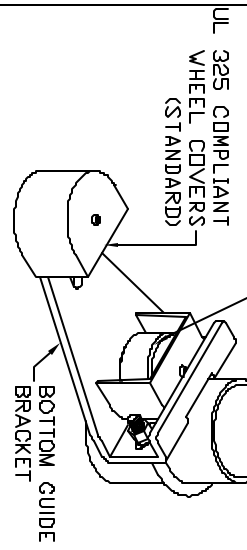
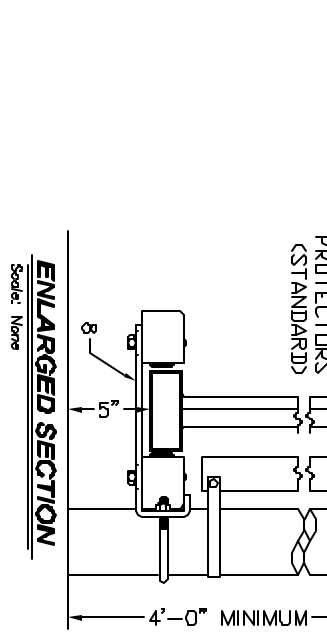
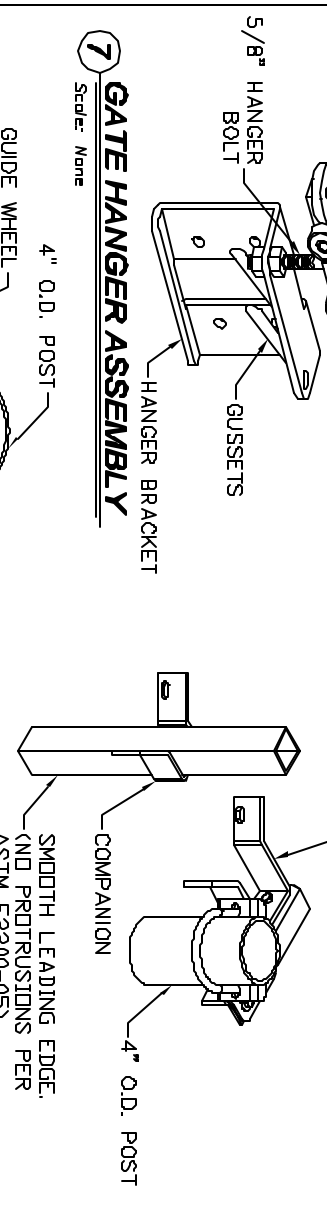
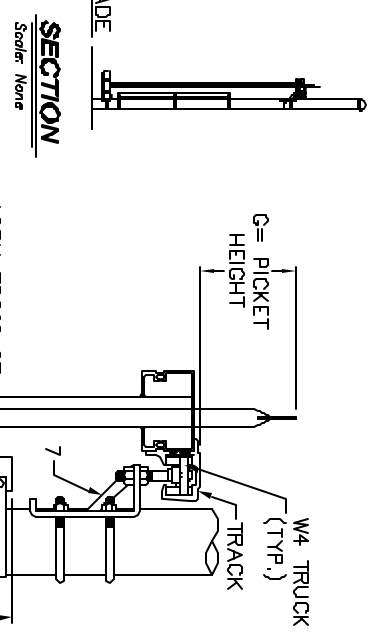
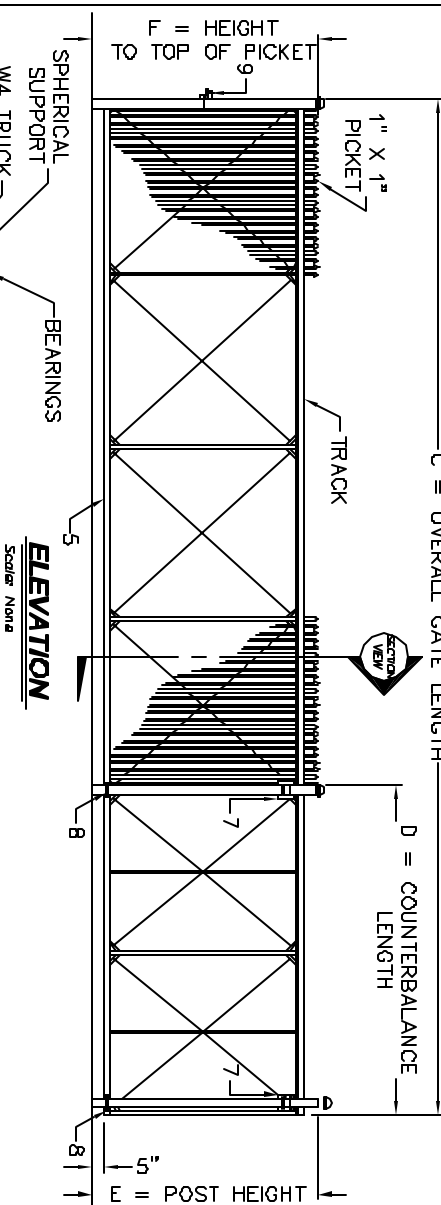


CRITICAL DIMENSION CHART

| MARK | DESCRIPTION | FORMULA | DIM. |
|------|---------------------------------|----------|------|
| A | CLEAR OPENING | A | - |
| B | COUNTERBALANCE POST SPACING C/C | (A/2)-1" | - |
| C | OVERALL GATE LENGTH | A x 1.5 | - |
| D | COUNTERBALANCE LENGTH | A x 0.5 | - |
| E | POST HEIGHT | E = F | - |
| F | HEIGHT TO TOP OF PICKET | F | - |
| G | PICKET HEIGHT | G | - |



- NOTES:
1. ALL FITTINGS STANDARDLY PROVIDED FOR 4" O.D. POSTS. OTHER SIZES AVAILABLE UPON REQUEST.
 2. OTHER PICKET STYLES AVAILABLE UPON REQUEST.



2549 STATE ROUTE 40
GREENWICH, N.Y. 12834
PH (800) 328-4283 - FAX (518) 682-9404
www.tymetal.com

HEAVY DUTY CANTILEVER SLIDE GATE