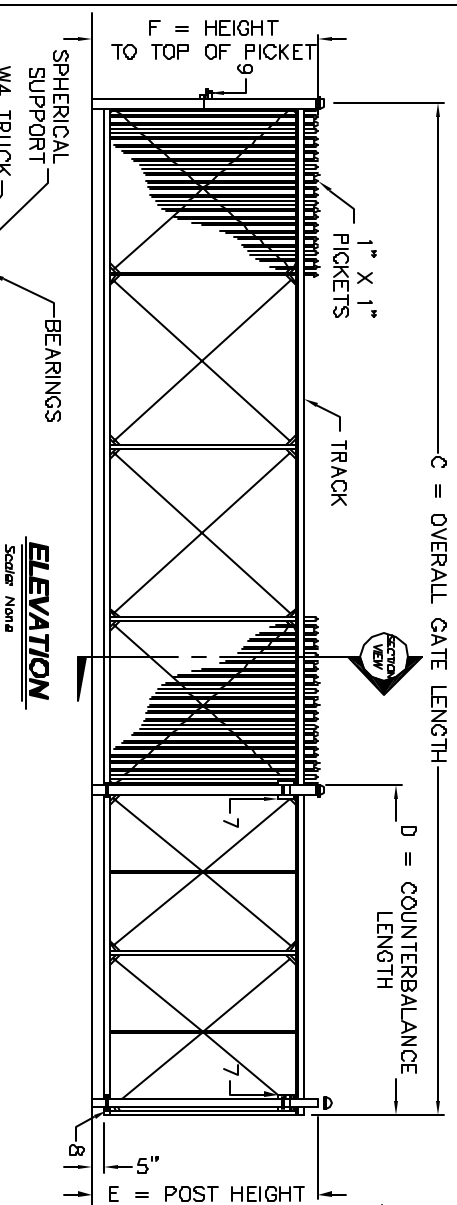
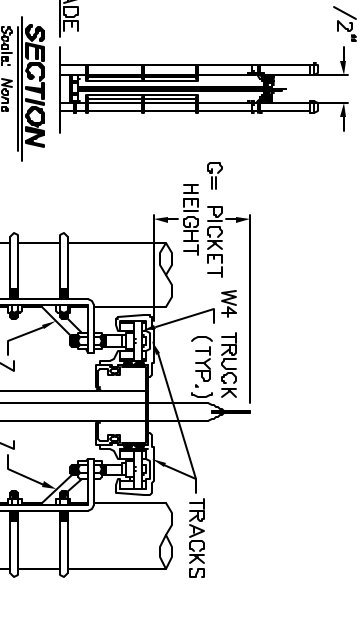


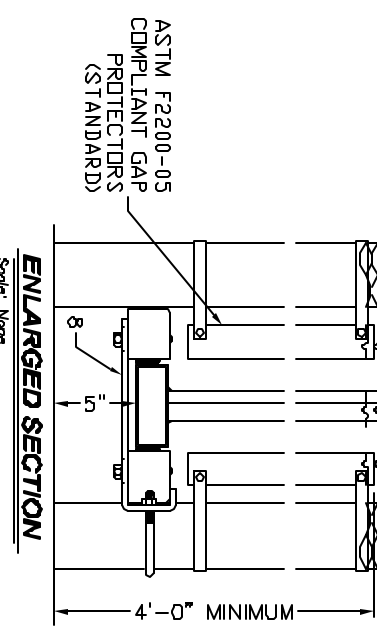
**PLAN VIEW**  
Scale: None



**ELEVATION**  
Scale: None

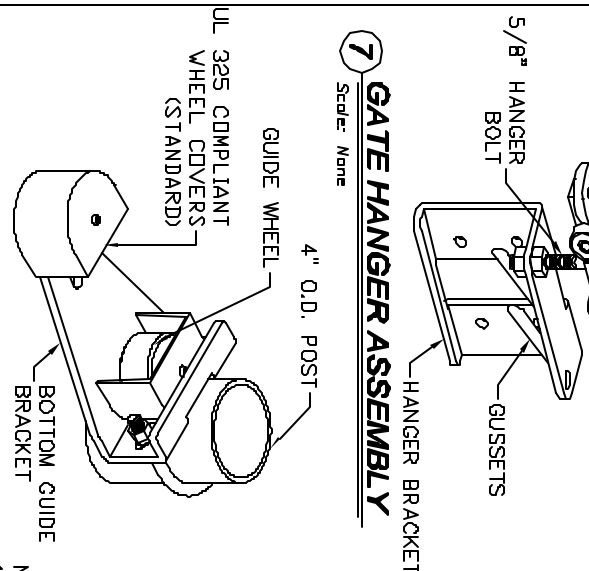


**SECTION**  
Scale: None

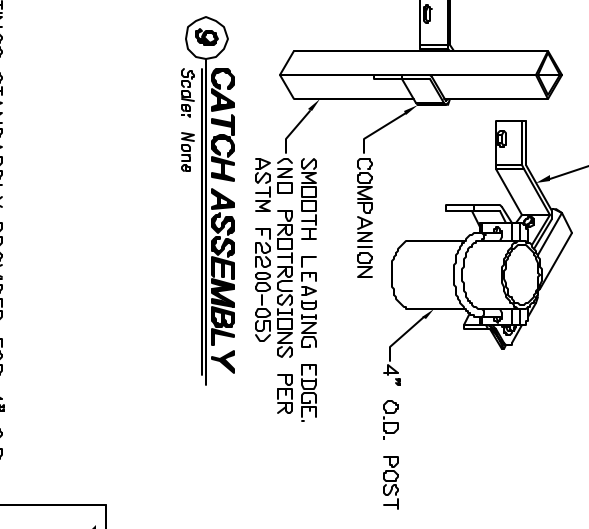


**ENLARGED SECTION**  
Scale: None

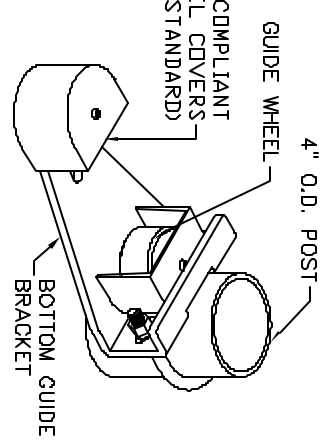
CRITICAL DIMENSION CHART			
MARK	DESCRIPTION	FORMULA	DIM.
A	CLEAR OPENING	A	-
B	COUNTERBALANCE POST SPACING C/C	(A/2)-1"	-
C	OVERALL GATE LENGTH	A x 1.5	-
D	COUNTERBALANCE LENGTH	A x 0.5	-
E	POST HEIGHT	E = F	-
F	HEIGHT TO TOP OF PICKET	F	-
G	PICKET HEIGHT	G	-



**7 GATE HANGER ASSEMBLY**  
Scale: None

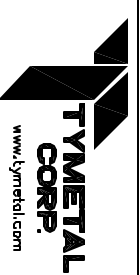


**9 CATCH ASSEMBLY**  
Scale: None



**8 BOTTOM GUIDE**  
Scale: None

- NOTES:
1. ALL FITTINGS STANDARDLY PROVIDED FOR 4" O.D. POSTS. OTHER SIZES AVAILABLE UPON REQUEST.
  2. OTHER PICKET STYLES AVAILABLE UPON REQUEST.



2549 STATE ROUTE 40  
GREENWICH, N.Y. 12834  
PH (800) 328-4283 - FX (518) 682-9404  
www.tymetal.com

STRUCTURAL CANTILEVER SLIDE GATE