

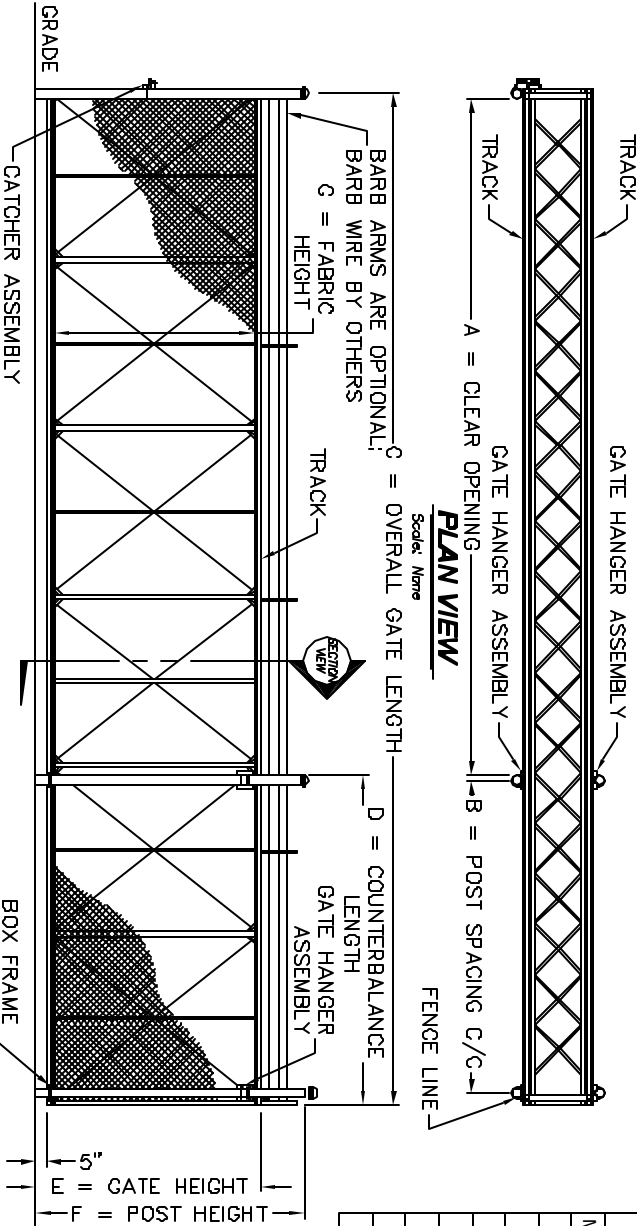
CRITICAL DIMENSION CHART

MARK	DESCRIPTION	FORMULA	DIM.
A	CLEAR OPENING	A	-
B	COUNTERBALANCE POST SPACING C/C	(A/2)-1"1"	-
C	OVERALL GATE LENGTH	A x 1.5	-
D	COUNTERBALANCE LENGTH	A x 0.5	-
E	NOMINAL GATE HEIGHT	E	-
F	POST HEIGHT (W/ BARB ARMS)	E + 1'-6"	-
G	FABRIC HEIGHT	E - 1'-0"	-

PLAN VIEW

Scale: None

FENCE LINE

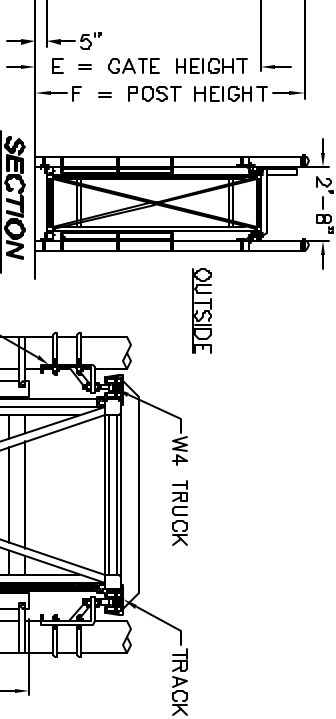


ELEVATION

Scale: None (OUTSIDE LOOKING N)

SECTION

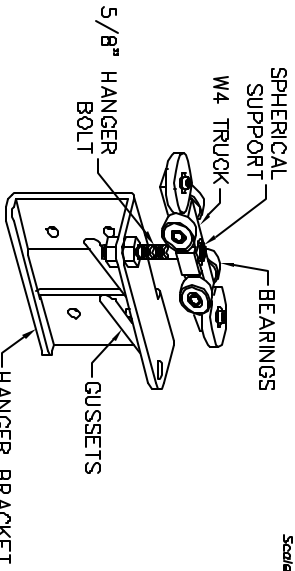
Scale: None



- NOTES:  
1. ALL FITTINGS STANDARDLY PROVIDED FOR 4" O.D. POSTS. OTHER SIZES AVAILABLE UPON REQUEST.  
2. BARB ARMS ARE OPTIONAL, BARB WIRE BY OTHERS

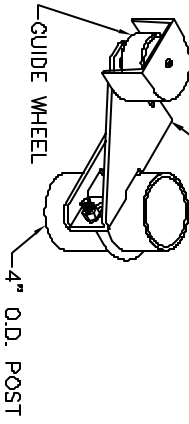
GATE HANGER ASSEMBLY

Scale: None



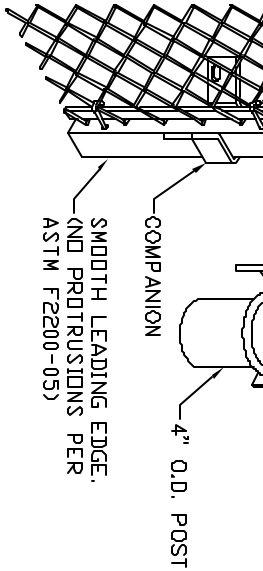
GATE HANGER ASSEMBLY

Scale: None



GATE HANGER ASSEMBLY

Scale: None



CATCHER ASSEMBLY

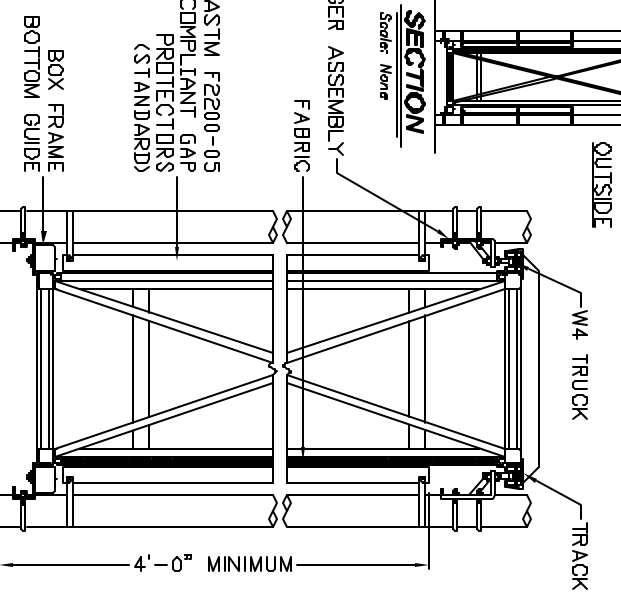
Scale: None

BOX FRAME BOTTOM GUIDE

Scale: None

ENLARGED SECTION

Scale: None



2549 STATE ROUTE 40  
GREENWICH, N.Y. 12834  
PH: (800) 328-4233 - (518) 892-9404

BOX FRAME CANTILEVER SLIDE GATE