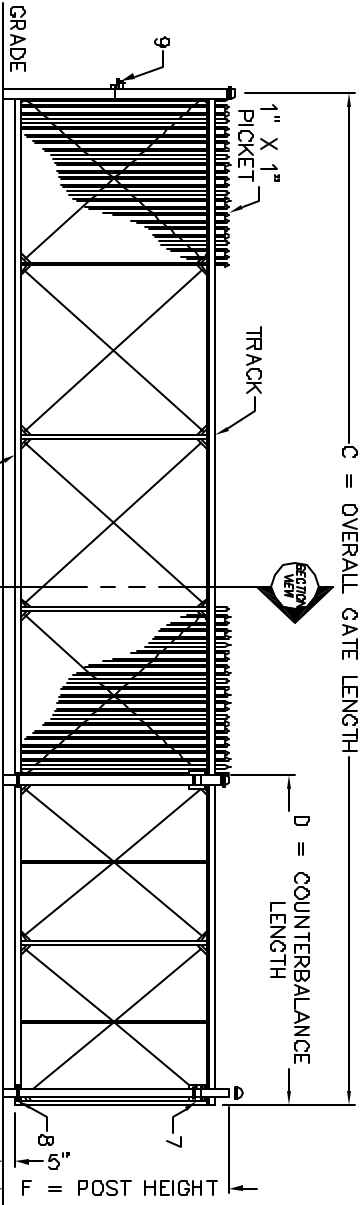
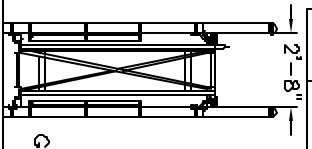


PLAN VIEW
Scale: None

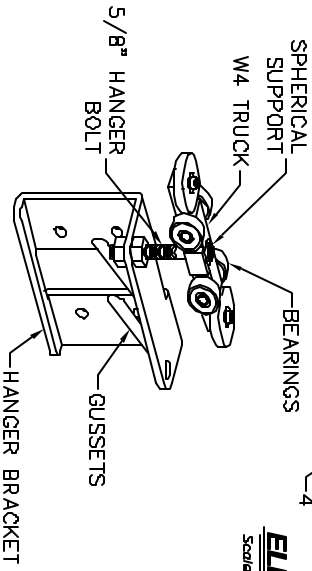


ELEVATION
Scale: None

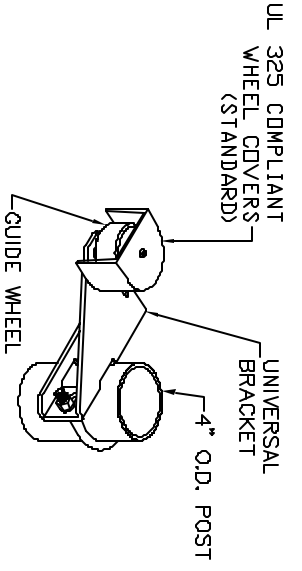


SECTION
Scale: None

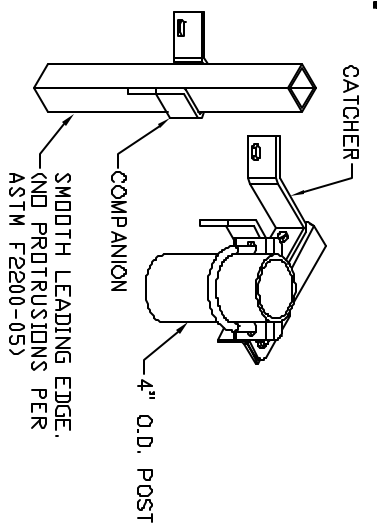
CRITICAL DIMENSION CHART			
MARK	DESCRIPTION	FORMULA	DIM.
A	CLEAR OPENING	A	-
B	COUNTERBALANCE POST SPACING C/C	(A/2)-1"	-
C	OVERALL GATE LENGTH	A x 1.5	-
D	COUNTERBALANCE LENGTH	A x 0.5	-
E	POST HEIGHT	E = F	-
F	HEIGHT TO TOP OF PICKET	F	-
G	PICKET HEIGHT	G	-



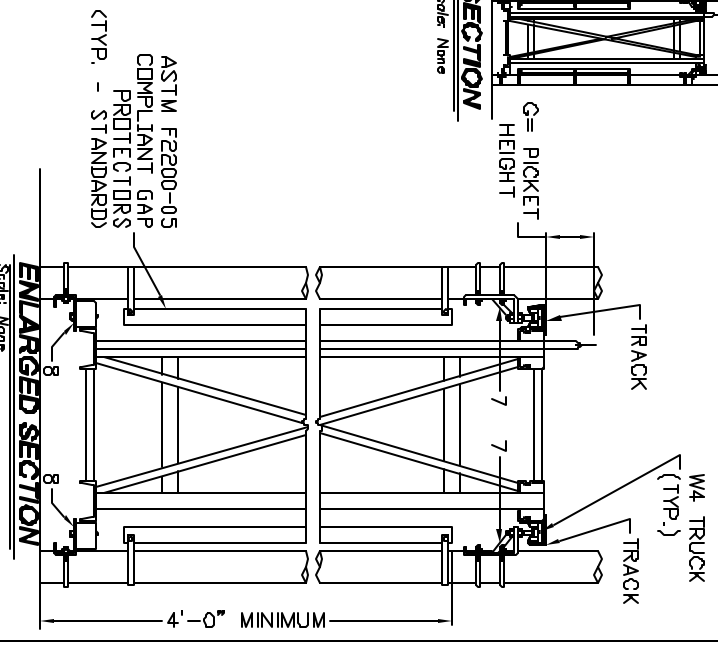
7 GATE HANGER ASSEMBLY
Scale: None



9 CATCH ASSEMBLY
Scale: None



- NOTES:
1. ALL FITTINGS STANDARDLY PROVIDED FOR 4" O.D. POSTS. OTHER SIZES AVAILABLE UPON REQUEST.
2. OTHER PICKET STYLES AVAILABLE UPON REQUEST.

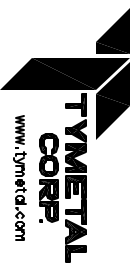


ENLARGED SECTION
Scale: None

8 BOX FRAME BOTTOM GUIDE

Scale: None

BOX FRAME CANTILEVER SLIDE GATE



2549 STATE ROUTE 40
GREENWICH, N.Y. 12334
PH (800) 328-4283 - FX (518) 682-9404