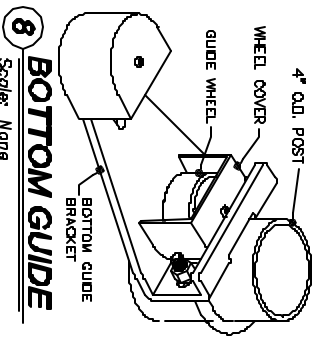


ELEVATION
Scale: None

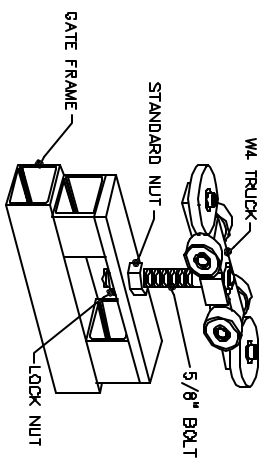
SECTION
Scale: None

CRITICAL DIMENSION CHART

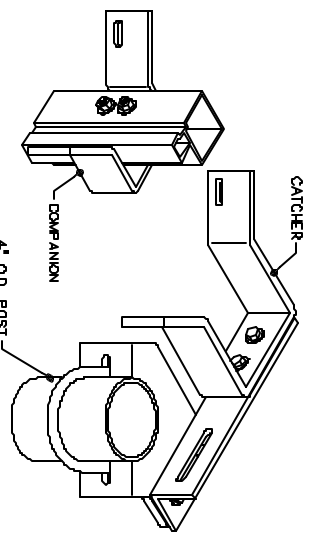
MARK	DESCRIPTION	FORMULA	DIMENSION
A	CLEAR OPENING	A	-
B	POST SPACING C/C	B	-
C	OVERALL GATE LENGTH	A + 1-4"	-
D	GATE FRAME HEIGHT	F - 3"	-
E	LOWER FRAME HEIGHT	E	-
F	CLEAR OPENING HEIGHT	F	-
G	HEIGHT TO BOTTOM OF BEAM	G	-
H	POST HEIGHT	H	-
I	FABRIC HEIGHT	E - 1-0"	-
J	OVERALL BEAM LENGTH	A X 2 + 1-4"	-



8 BOTTOM GUIDE
Scale: None

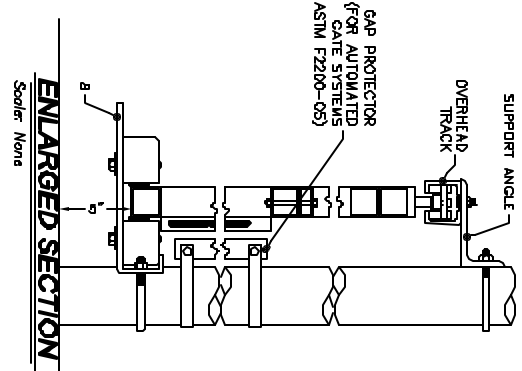


10 GATE HANGER ASSEMBLY
Scale: None

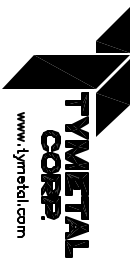


9 CATCH ASSEMBLY
Scale: None

NOTES:
1. ALL FITTINGS STANDARDLY PROVIDED FOR 4" O.D. POSTS.
OTHER SIZES AVAILABLE UPON REQUEST.
2. BRAD ARMS (FOR BARBED WIRE) OPTIONAL.



ENLARGED SECTION
Scale: None



2549 STATE ROUTE 40
GREENWICH, N.Y. 12834
PH (800) 528-4283 - FAX (518) 892-9404
www.tymetal.com

STANDARD OVERHEAD SLIDE GATE