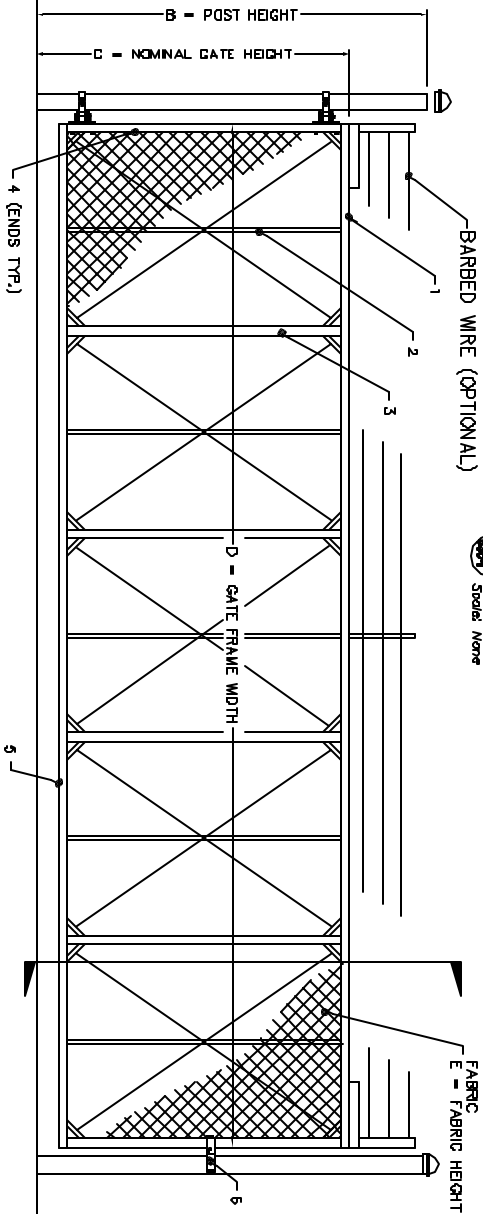


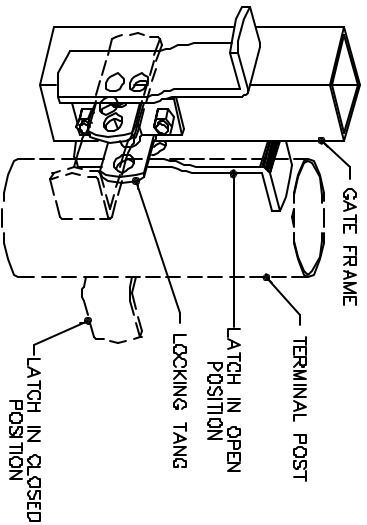
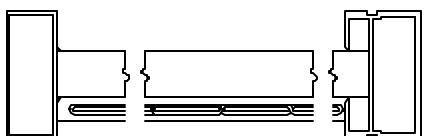
1 PLAN VIEW
Scale: None

CRITICAL DIMENSION CHART	
A	CLEAR OPENING WIDTH
B	POST HEIGHT
C	NOMINAL GATE HEIGHT
D	GATE FRAME WIDTH
E	FABRIC HEIGHT



2 ELEVATION
Scale: None

ENLARGED SECTION
Scale: None



6 LATCH ASSEMBLY
Scale: None



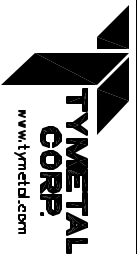
7 HINGE ASSEMBLY
Scale: None

- NOTES:
1. HANGER POST SIZE WILL VARY DEPENDING ON THE CLEAR OPENING WIDTH
2. APPROPRIATE HARDWARE WILL BE PROVIDED AS REQUIRED.
3. BARB ARMS ARE OPTIONAL.

SWING GATE HEAVY DUTY

COMPONENT REFERENCES

MARK	DESCRIPTION	NOTES:
1	TOP PRIMARY MEMBER	
2	1" x 2" ALUM. TUBE	CENTERED BETWEEN 2X2'S
3	2" x 2" ALUM. TUBE	
4	STANDARD PRIMARY	TYP. AT ENDS OF GATE
5	2" x 5" ALUM. TUBE	
6	LATCH ASSEMBLY	1 REQUIRED
7	HINGE ASSEMBLY	1 REQUIRED



2549 STATE ROUTE 40
GREENWICH, N.Y. 12834
PH: (914) 328-4283 - FX: (914) 882-9404
www.tymetal.com