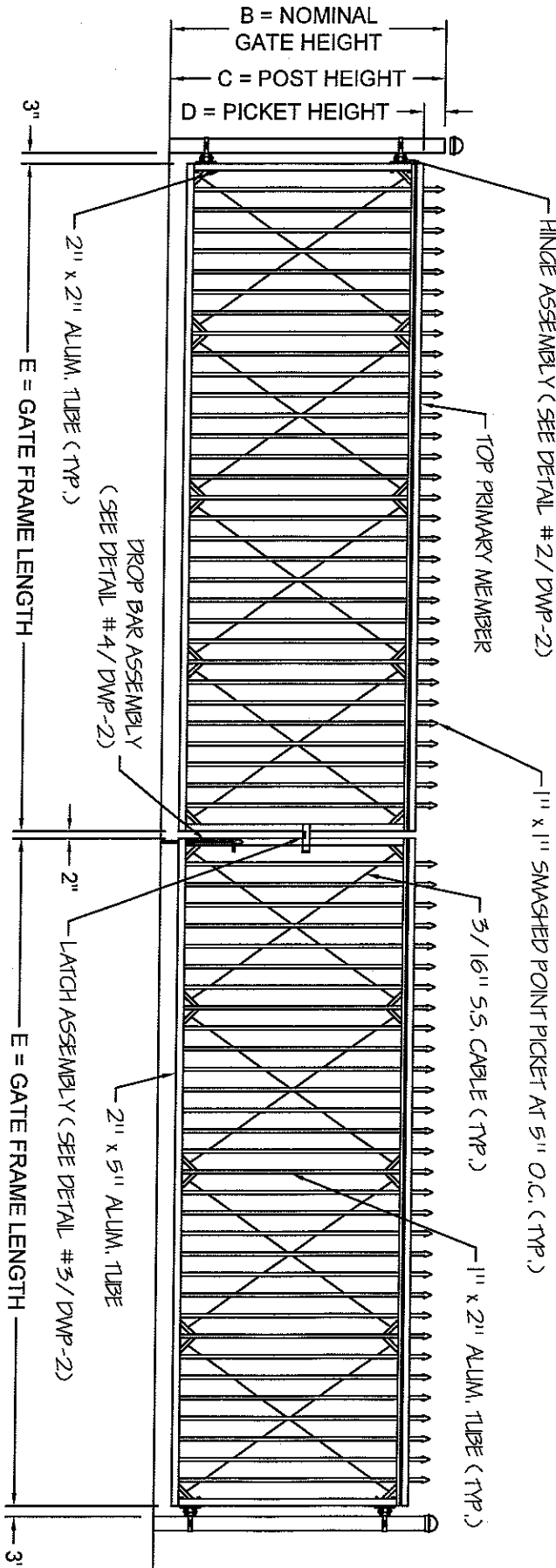



1 PLAN VIEW
DWP-1
Scale: None

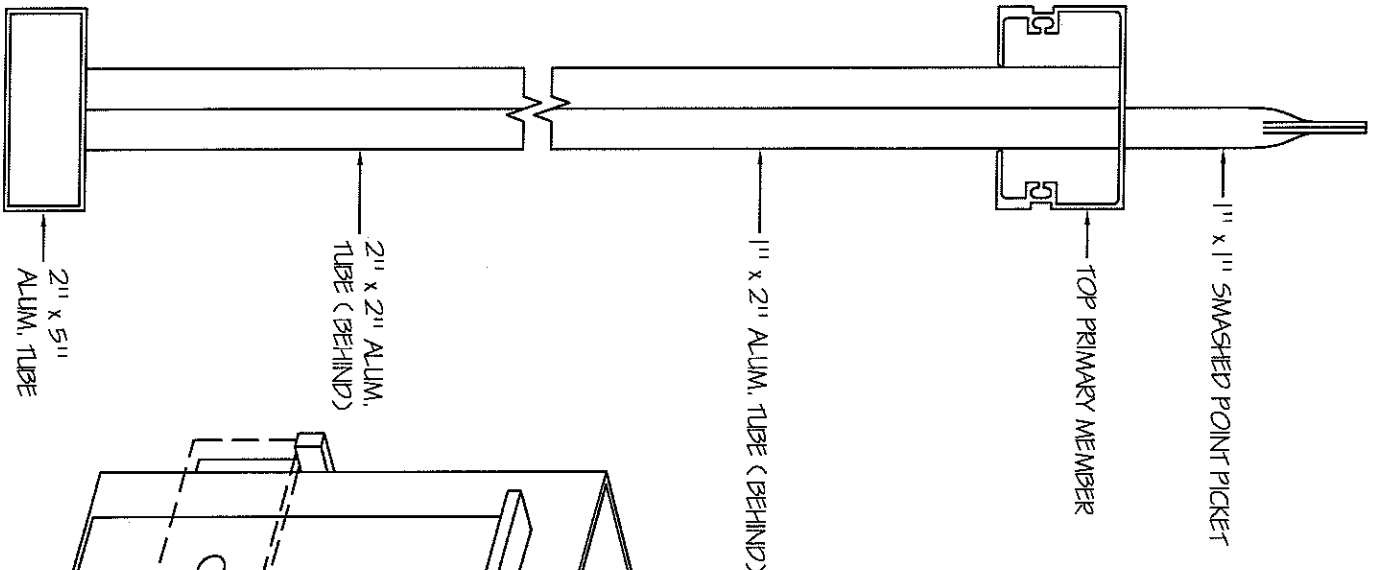


2 ELEVATION
DWP-1
Scale: None

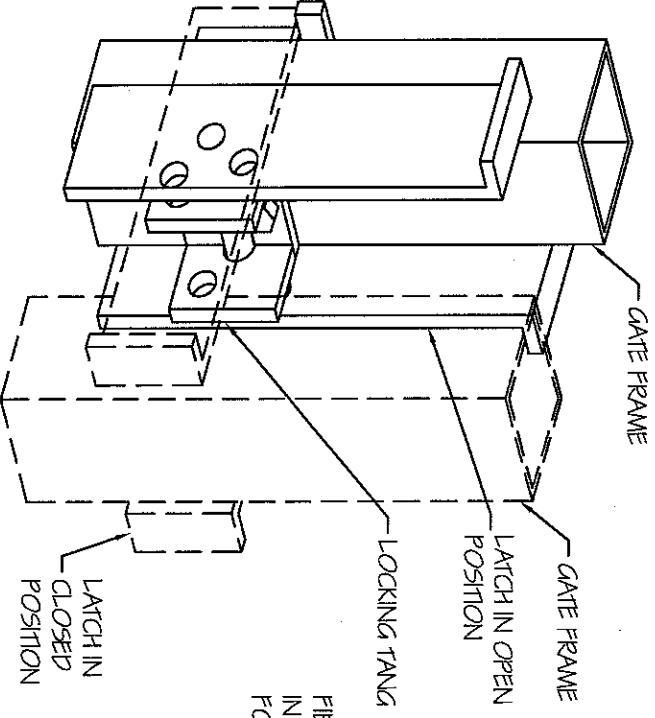
- NOTES:
1. GATE ELEVATION IS VIEWED FROM THE OUTSIDE OF THE SECURE AREA LOOKING IN.
 2. HINGE POST SIZE WILL VARY DEPENDING ON THE CLEAR OPENING WIDTH.
 3. APPROPRIATE HARDWARE WILL BE PROVIDED AS REQUIRED.

CRITICAL DIMENSION CHART	
A	CLEAR OPENING WIDTH
B	NOMINAL GATE HEIGHT
C	POST HEIGHT
D	PICKET HEIGHT
E	GATE FRAME LENGTH

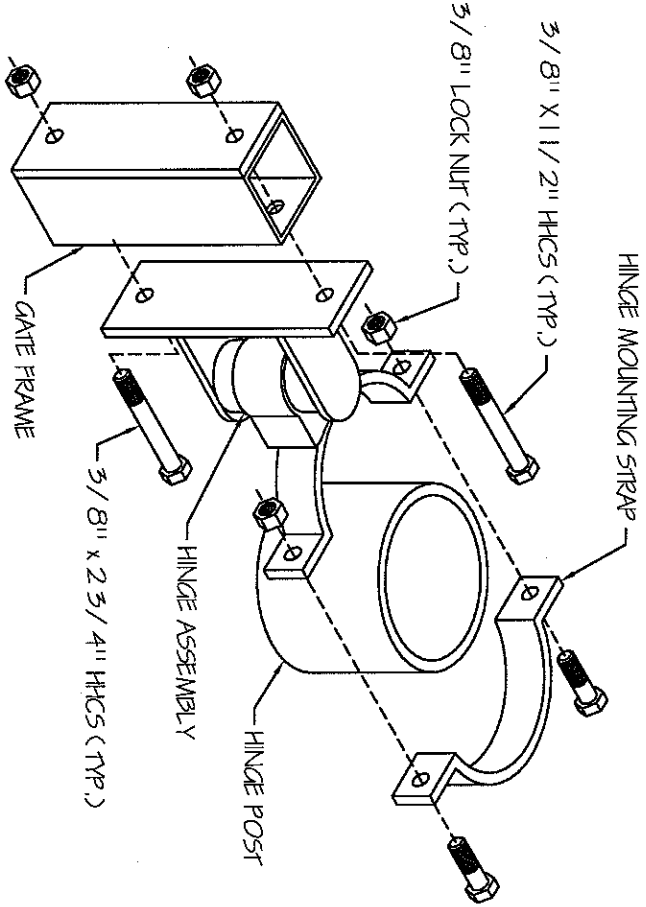
 <p>www.tymetal.com</p> <p>2549 STATE ROUTE 40 GREENWICH, N.Y. 12834 PH: (800) 328-4283 - FX: (518) 692-9404</p>	DATE: 8-31-04	PROJECT:	DIRECTORY\CAD FILE: Double Heavy Duty Swing Smashed Point R3
	DRAWN BY: KEH	SUBJECT: Double Heavy Duty Smashed Point Picket Swing Gate	SHEET NUMBER: 1 of 2
	SCALE: As Noted	CONTRACTOR:	DRAWING NUMBER: DWP-1
	REVISION LEVEL: R3	ARCHITECT/ENGINEER:	



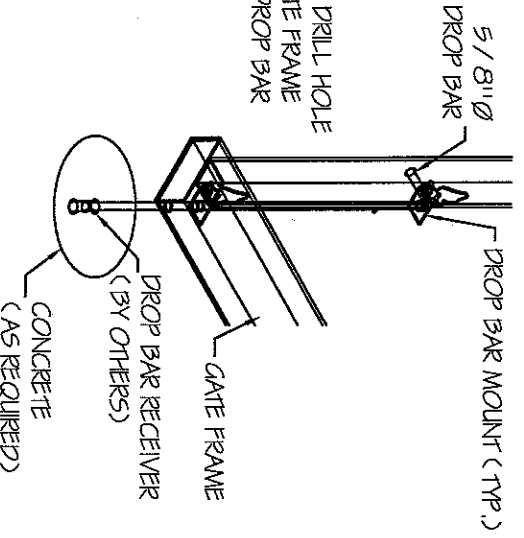
1 GATE FRAME SECTION
 DWP-2 Scale: None




3 LATCH ASSEMBLY
 DWP-2 Scale: None



2 HINGE ASSEMBLY
 DWP-2 Scale: None



4 DROP BAR ASSEMBLY
 DWP-2 Scale: None

 www.tymetal.com 2549 STATE ROUTE 40 GREENWICH, N.Y. 12834 PH: (800) 328-4283 - FX: (518) 692-9404	DATE: 8-31-04	PROJECT:	DIRECTORY\CAD FILE: Double Heavy Duty Swing Smashed Point R3
	DRAWN BY: KEH	SUBJECT: Heavy Duty Smashed Point Picket Swing Gate Details	SHEET NUMBER: 2 of 2
	SCALE: As Noted	CONTRACTOR:	DRAWING NUMBER: DWP-2
	REVISION LEVEL: R3	ARCHITECT/ENGINEER:	