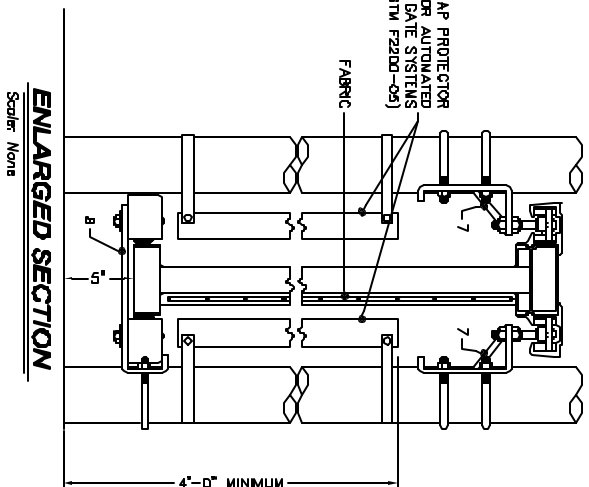
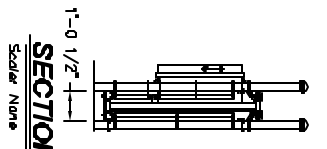


**NOTES:**  
1. FOR COMPLETE INFORMATION ON THE TM-VS OPERATOR VISIT THE "GATE OPERATORS" SECTION OF THE WEB SITE.  
2. ALL FITTINGS STANDARDLY PROVIDED FOR 4" O.D. POSTS. OTHER SIZES AVAILABLE UPON REQUEST.  
3. BARB ARMS (FOR BARBED WIRE) OPTIONAL.

**CRITICAL DIMENSION CHART**

MARK	DESCRIPTION	FORMULA	DIM.
A	CLEAR OPENING	A	-
B	COUNTERBALANCE POST SPACING C/C	(A/2)-11"	-
C	OVERALL GATE LENGTH	A X 1.5	-
D	COUNTERBALANCE LENGTH	A X 0.5	-
E	NOMINAL GATE HEIGHT	E	-
F	POST HEIGHT (W BARB ARMS)	E + 1'-6"	-
G	FABRIC HEIGHT	E - 1'-0"	-



**TYMETAL CORP.**  
www.tymetal.com

2549 STATE ROUTE 40  
GREENWICH, N.Y. 12834  
PH (800) 328-4283 - (914) 892-9494

**TIGER SECURITY GATE SYSTEM**  
(WITH STRUCTURAL GATE)