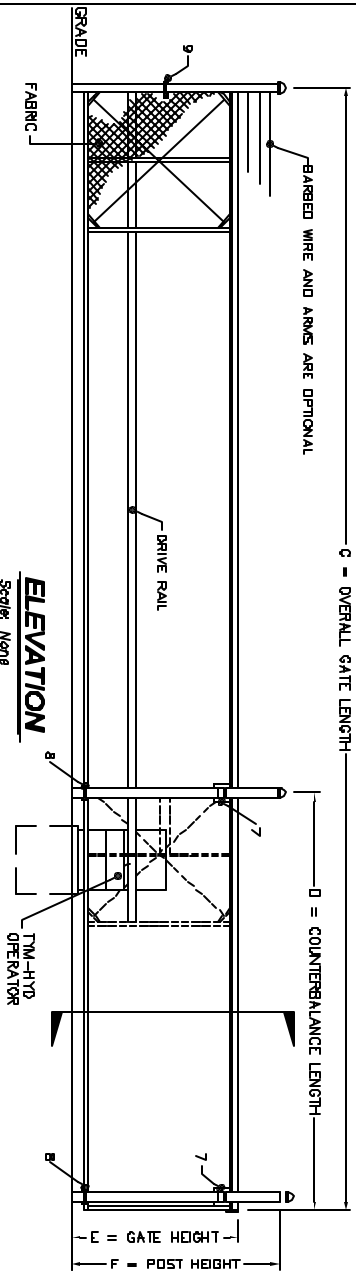


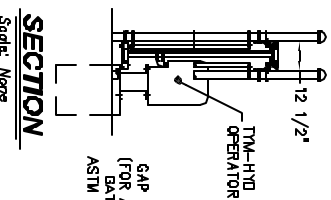
**PLAN VIEW**

Scale: None



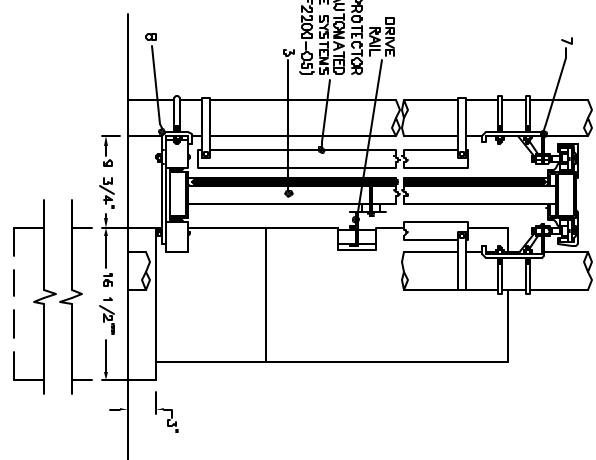
**ELEVATION**

Scale: None



**SECTION**

Scale: None

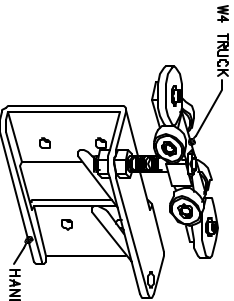


**OPERATOR SIDE ELEVATION**

Scale: None

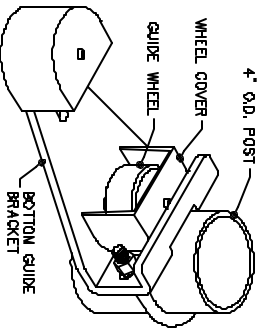
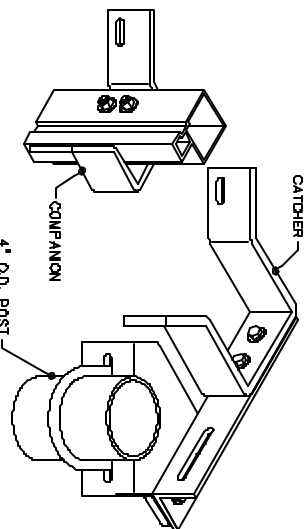
**7 GATE HANGER ASSEMBLY**

Scale: None



**9 CATCH ASSEMBLY**

Scale: None



**8 BOTTOM GUIDE**

Scale: None

NOTES:  
 1. FOR COMPLETE INFORMATION ON THE T.M.-HYD OPERATOR VISIT THE "GATE OPERATORS" SECTION OF THE WEB SITE.  
 2. ALL FITTINGS STANDARILY PROVIDED FOR 4\"/>

**CRITICAL DIMENSION CHART**

MARK	DESCRIPTION	FORMULA	DIM.
A	CLEAR OPENING	A	-
B	COUNTERBALANCE POST SPACING C/C	(A2)-11"	-
C	OVERALL GATE LENGTH	A X 1.5	-
D	COUNTERBALANCE LENGTH	A X 0.5	-
E	NOMINAL GATE HEIGHT	E	-
F	POST HEIGHT (W BARB ARMS)	E + 1'-6"	-
G	FABRIC HEIGHT	E - 1'-0"	-



2549 STATE ROUTE 40  
 GREENWICH, N.Y. 12834  
 PH: (800) 328-4283 - F: (518) 892-9444

TYM-HYD SECURITY GATE SYSTEM  
 (WITH STRUCTURAL GATE)