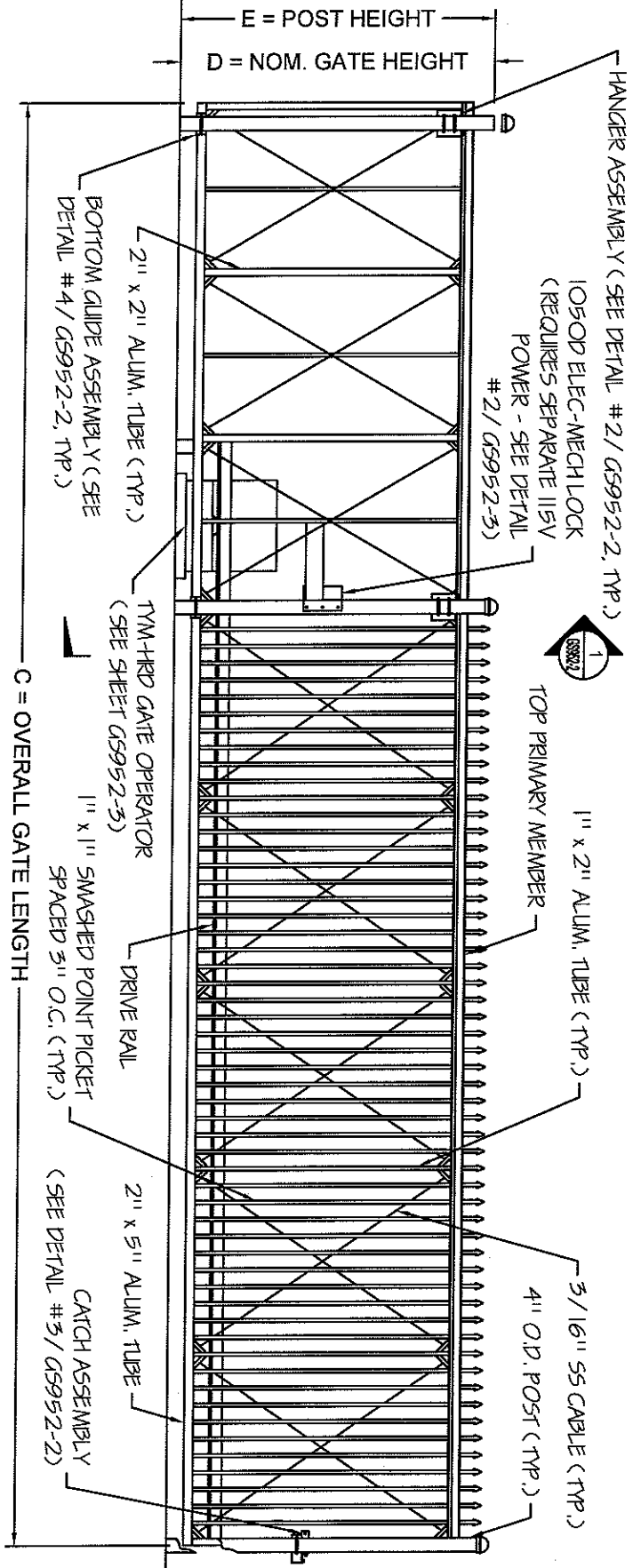


NOTES:
 1. ALL FITTINGS STANDARDLY PROVIDED FOR 4" O.D. POSTS. OTHER SIZES ARE AVAILABLE UPON REQUEST.
 2. FOR GATES THAT REQUIRE TWO PIECE FABRICATION, A 5" ALUMINUM CHANNEL WILL BE SUBSTITUTED FOR THE 2" x 5" ALUM. TUBE.

1 PLAN VIEW
 GS952-1 Scale: None

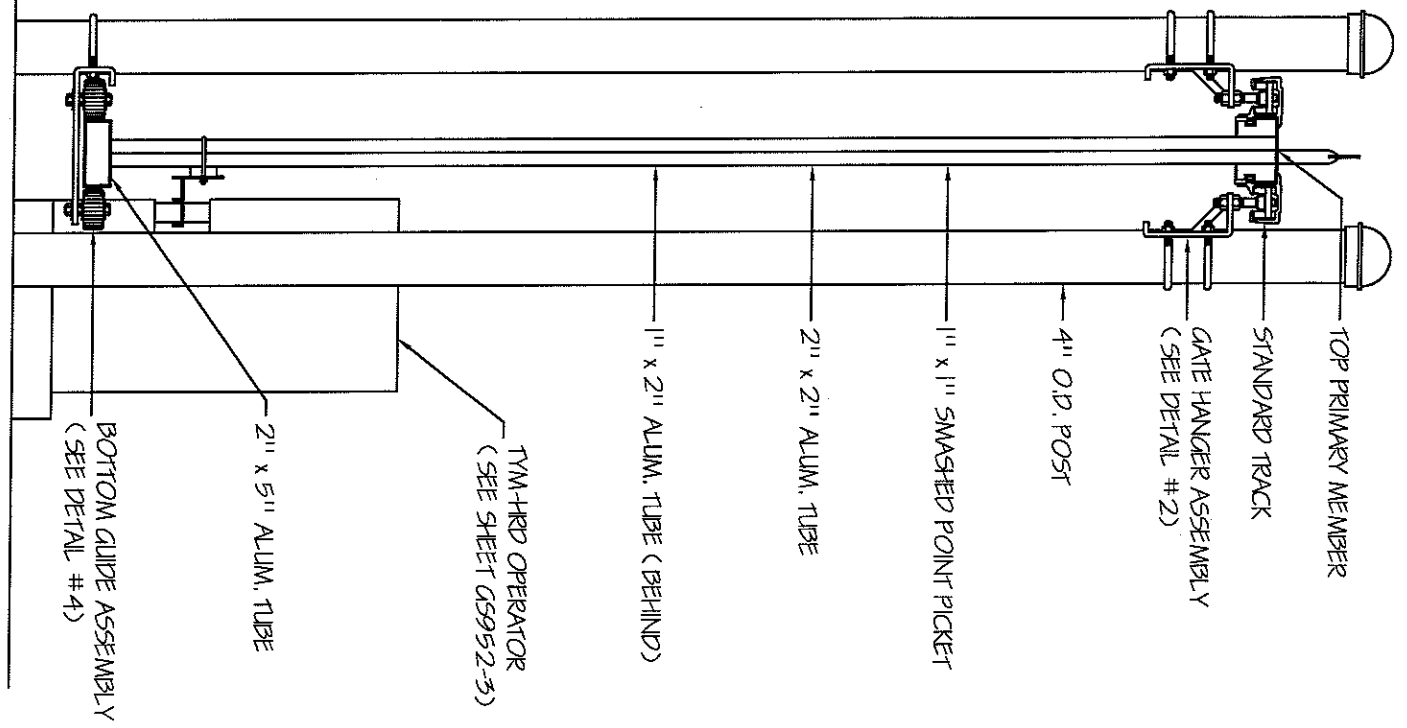


2 ELEVATION
 GS952-1 Scale: None

CRITICAL DIMENSION CHART

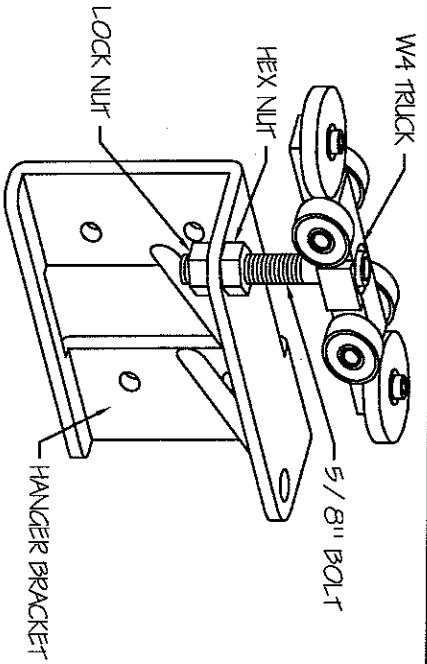
NOMINAL GATE SIZE		NOMINAL GATE HEIGHT	
A	CLEAR OPENING	D	NOMINAL GATE HEIGHT
B	POST SPACING C/C	E	POST HEIGHT
C	OVERALL GATE LENGTH	G	POST HEIGHT

 www.tymetal.com 2549 STATE ROUTE 40 GREENWICH, N.Y. 12834 PH: (800) 328-4283 - FX: (518) 692-9404	DRAWN BY:	PROJECT:	DIRECTORY/CAD FILE:
	DATE:	SUBJECT:	SHEET NUMBER:
	CHECKED BY:	CONTRACTOR:	DRAWING NUMBER:
	DATE:	ARCHITECT/ENGINEER:	
SCALE:	NONE		
REVISION LEVEL:			



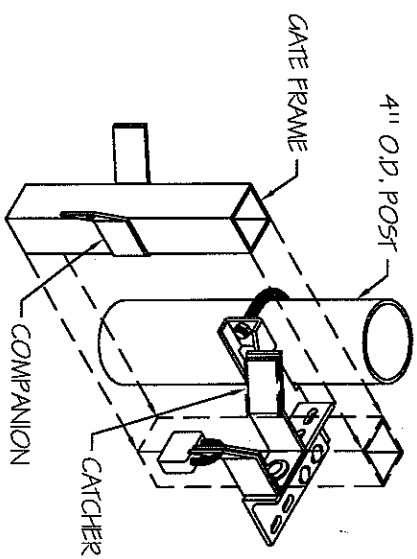
1 ASSEMBLY SECTION

G5952-2 Scale: None



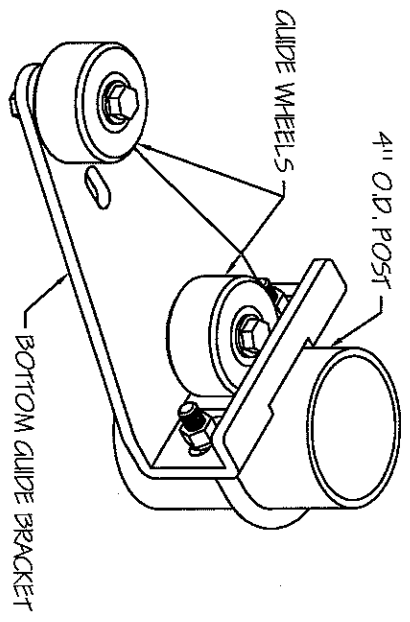
2 GATE HANGER

G5952-2 Scale: None



3 CATCH ASSEMBLY

G5952-2 Scale: None



4 BOTTOM GUIDE

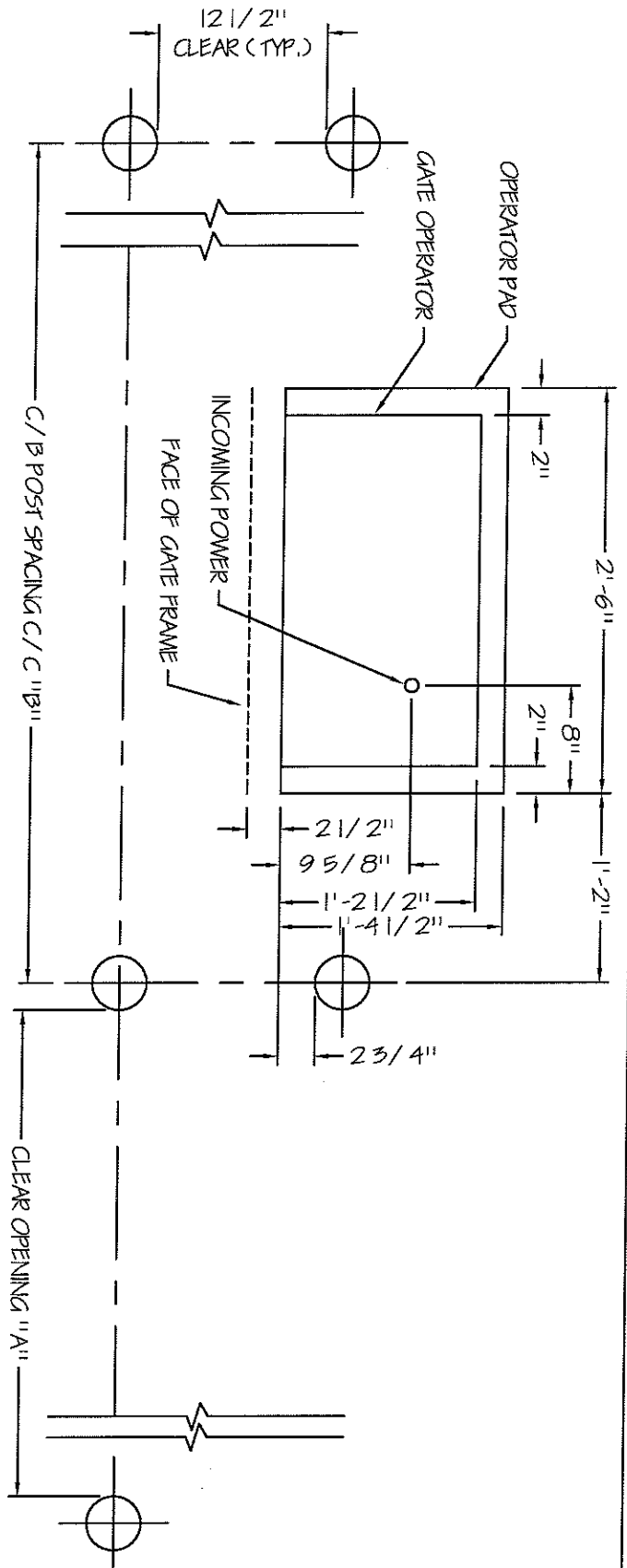
G5952-2 Scale: None

www.tymetal.com
 2549 STATE ROUTE 40
 GREENWICH, N.Y. 12834
 PH: (800) 328-4283 - FX: (518) 682-9404

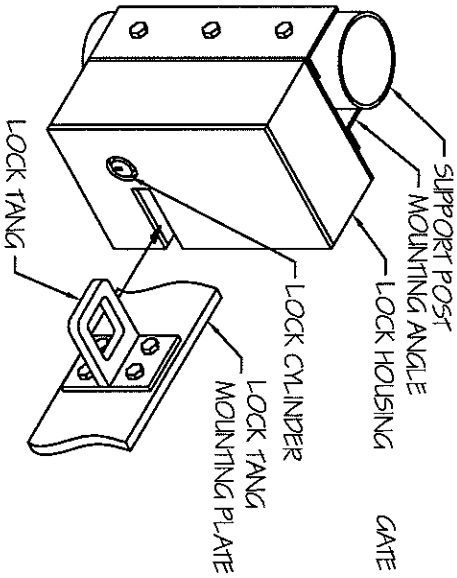
DRAWN BY:	
DATE:	
CHECKED BY:	
DATE:	
SCALE:	NONE
REVISION LEVEL:	

PROJECT:	
SUBJECT:	TYM-HYD-S Smashed Point Picket
CONTRACTOR:	
ARCHITECT/ENGINEER:	

DIRECTORY\CAD FILE:	
SHEET NUMBER:	2 OF 3
DRAWING NUMBER:	

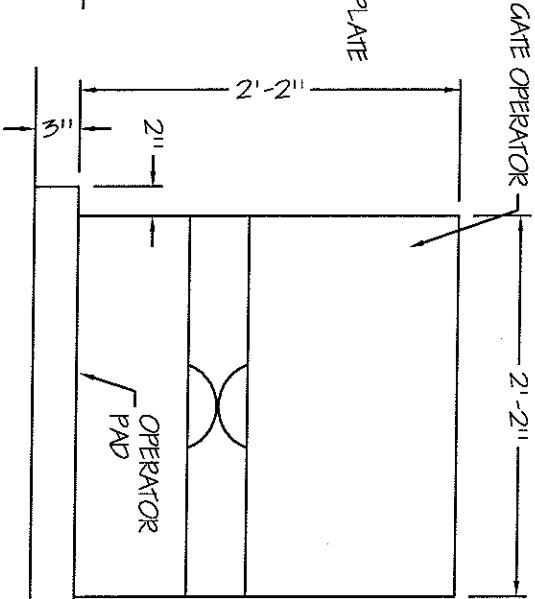


1 OPERATOR PLAN AND POST LAYOUT
 Scale: None

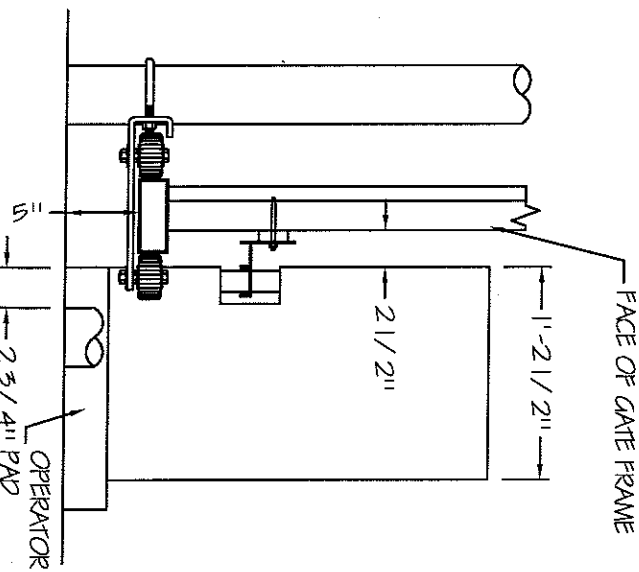


4 1050D ELECTROMECHANICAL LOCK
 Scale: None

NOTE:
 1050D LOCK REQUIRES SEPARATE 115V POWER SUPPLY.



2 OPERATOR FRONT ELEVATION
 Scale: None



3 OPERATOR SIDE ELEVATION
 Scale: None



2549 STATE ROUTE 40
 GREENWICH, N.Y. 12834
 PH: (800) 328-4283 - FX: (516) 682-9404

DRAWN BY:	
DATE:	
CHECKED BY:	
DATE:	
SCALE:	NONE
REVISION LEVEL:	

PROJECT:	
SUBJECT:	TYM-HYD-S Smashed Point Picket
CONTRACTOR:	
ARCHITECT/ENGINEER:	

DIRECTORY\CAD FILE:	
SHEET NUMBER:	3 OF 3
DRAWING NUMBER:	