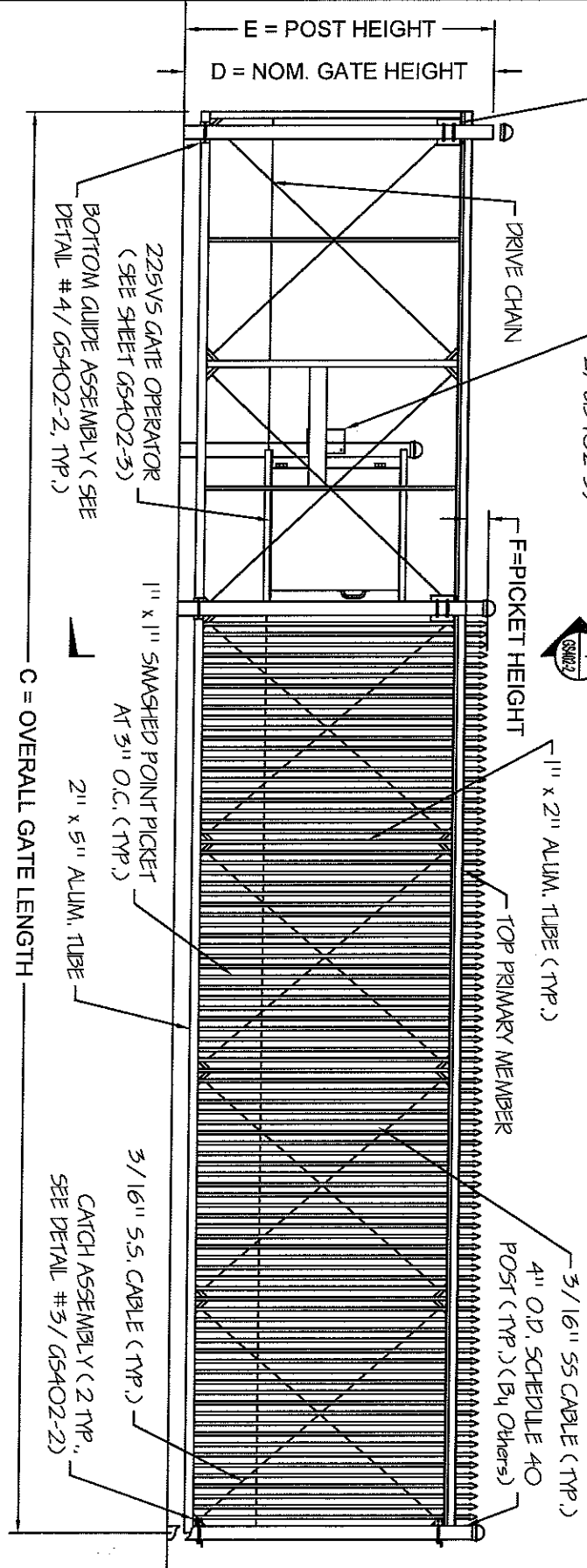


1 PLAN VIEW
Scale: None

- NOTES:
 1. ALL FITTINGS PROVIDED FOR 4" O.D. SCHEDULE 40 POSTS. OTHER SIZES ARE AVAILABLE UPON REQUEST.
 2. FOR GATES THAT REQUIRE TWO PIECE FABRICATION, A 5" ALUMINUM CHANNEL WILL BE SUBSTITUTED FOR THE 2" x 5" ALUM. TUBE.



2 ELEVATION
Scale: None

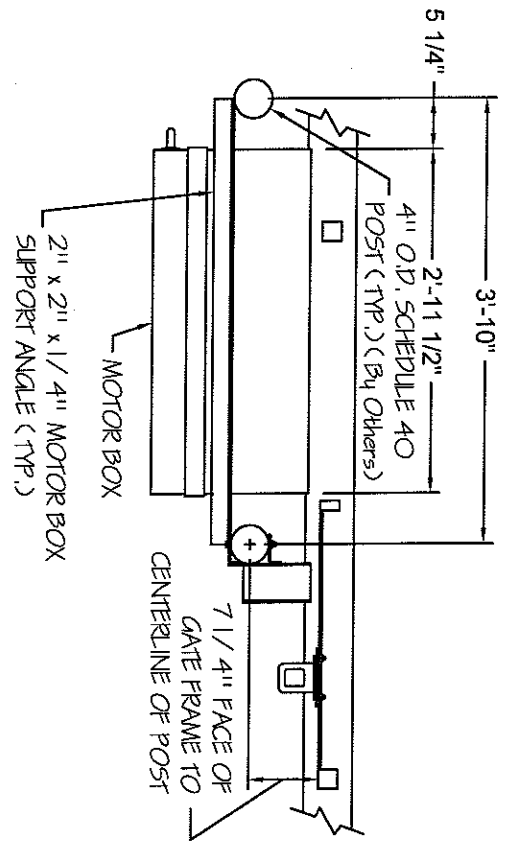
CRITICAL DIMENSION CHART

NOMINAL GATE SIZE		NOMINAL GATE HEIGHT	
A	CLEAR OPENING	D	POST HEIGHT
B	POST SPACING C/C	E	PICKET HEIGHT
C	OVERALL GATE LENGTH	F	

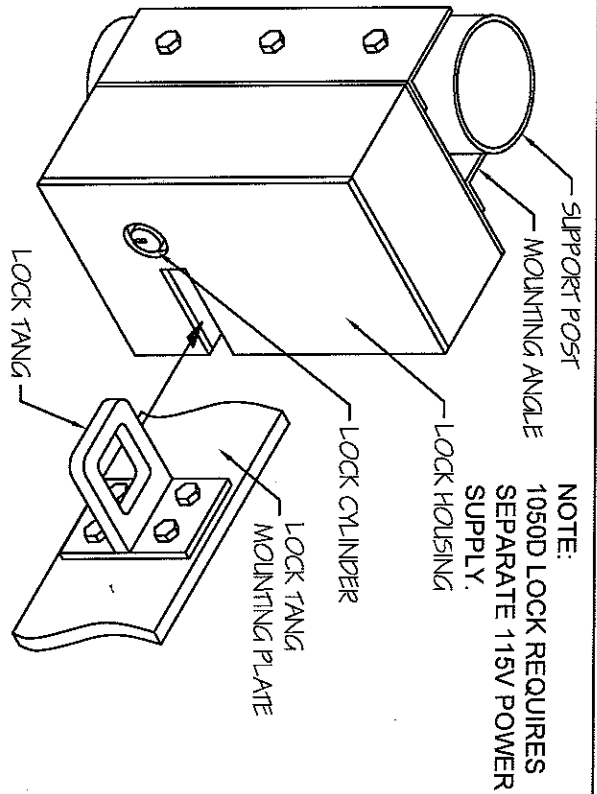
TYMETAL CORP.
www.tymetal.com

2549 STATE ROUTE 40
GREENWICH, N.Y. 12834
TEL (800) 328-4283 - FAX (518) 692-9404

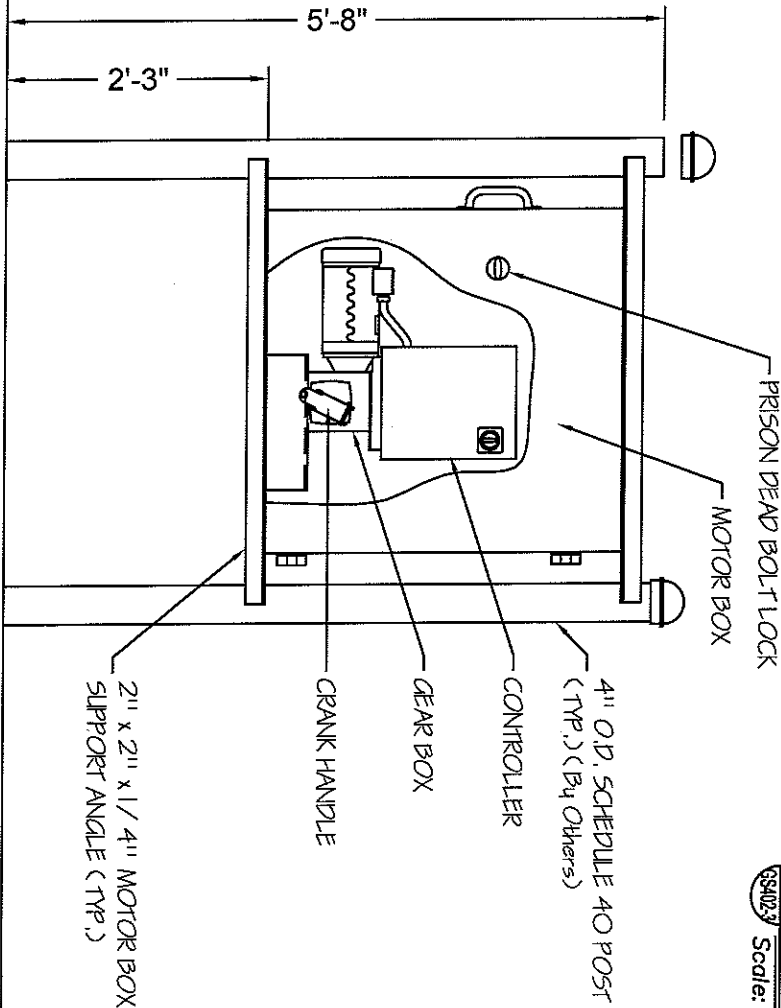
DRAWN BY:	PROJECT:	DIRECTORY/CAD FILE:
DATE:	SUBJECT:	SHEET NUMBER:
CHECKED BY:	TYM VS-5 Extended Smashed Point Picket	1 OF 3
DATE:	CONTRACTOR:	DRAWING NUMBER:
SCALE:	ARCHITECT/ENGINEER:	
NONE		
REVISION LEVEL:		



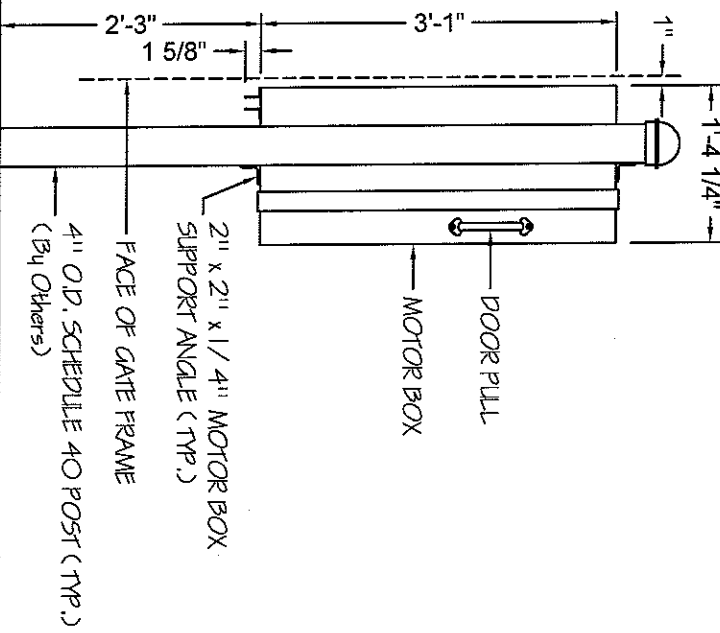
1 OPERATOR PLAN
Scale: None



2 1050D ELECTROMECHANICAL LOCK
Scale: None



3 OPERATOR FRONT ELEVATION
Scale: None



4 OPERATOR SIDE ELEVATION
Scale: None

DRAWN BY: DATE: CHECKED BY: DATE: SCALE: NONE REVISION LEVEL:	PROJECT: SUBJECT: TYM VS-S Extended Smashed Point Picket CONTRACTOR: ARCHITECT/ENGINEER:	DIRECTORY\CAD FILE: SHEET NUMBER: 3 OF 3 DRAWING NUMBER:
--	---	--

TYMETAL CORP.
www.tymetal.com
2549 STATE ROUTE 40
GREENWICH, N.Y. 12834