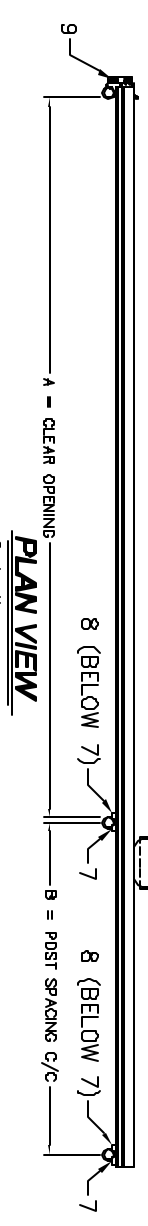
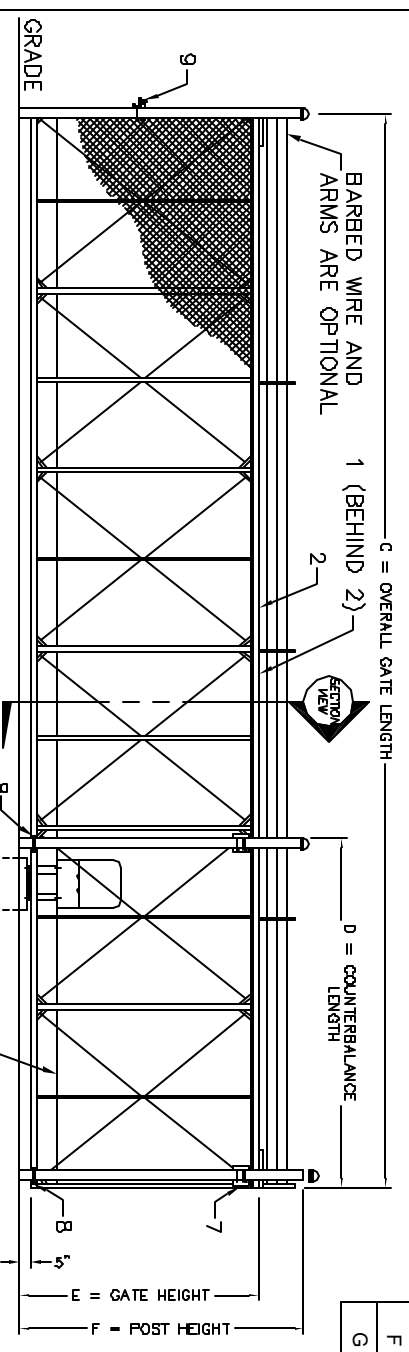


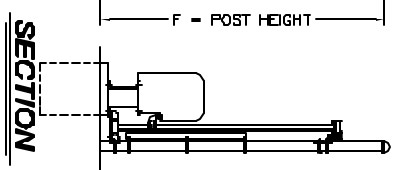
TYM-1000
GATE OPERATOR
OPERATOR
PAD



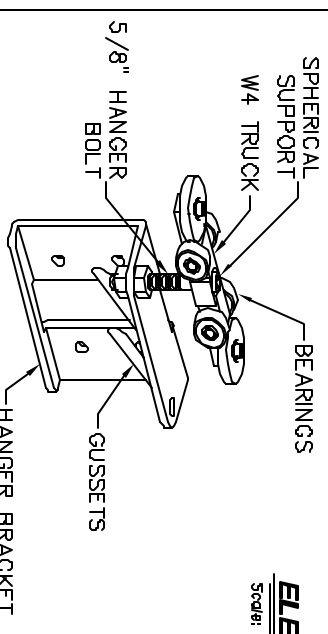
PLAN VIEW
Scale: None



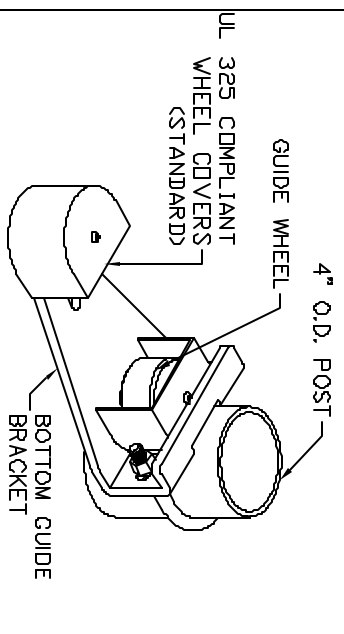
ELEVATION
Scale: None



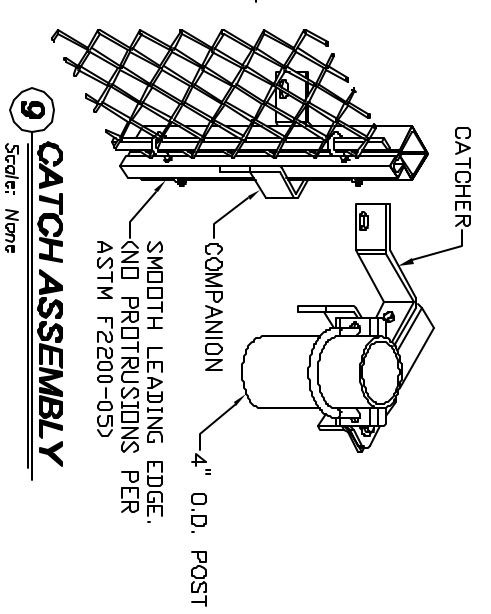
SECTION
Scale: None



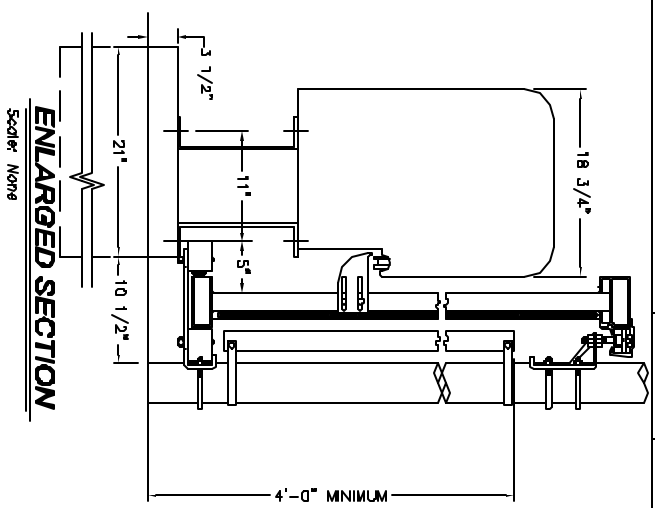
7 GATE HANGER ASSEMBLY
Scale: None



8 BOTTOM GUIDE
Scale: None

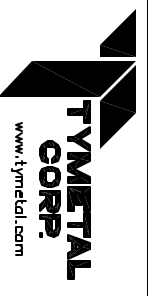


9 CATCH ASSEMBLY
Scale: None



ENLARGED SECTION
Scale: None

CRITICAL DIMENSION CHART			
MARK	DESCRIPTION	FORMULA	DIM.
A	CLEAR OPENING	A	-
B	COUNTERBALANCE POST SPACING C/C	(A2)-11"	-
C	OVERALL GATE LENGTH	A x 1.5	-
D	COUNTERBALANCE LENGTH	A x 0.5	-
E	NOMINAL GATE HEIGHT	E	-
F	POST HEIGHT (W BARB ARMS)	E + 1'-6"	-
G	FABRIC HEIGHT	E - 1'-0"	-



2549 STATE ROUTE 40
GREENWICH, N.Y. 12834
PH (800) 328-4283 - FX (518) 892-9404
www.tymetal.com

TYM-1000 SECURITY GATE SYSTEM
(WITH HEAVY DUTY GATE)