

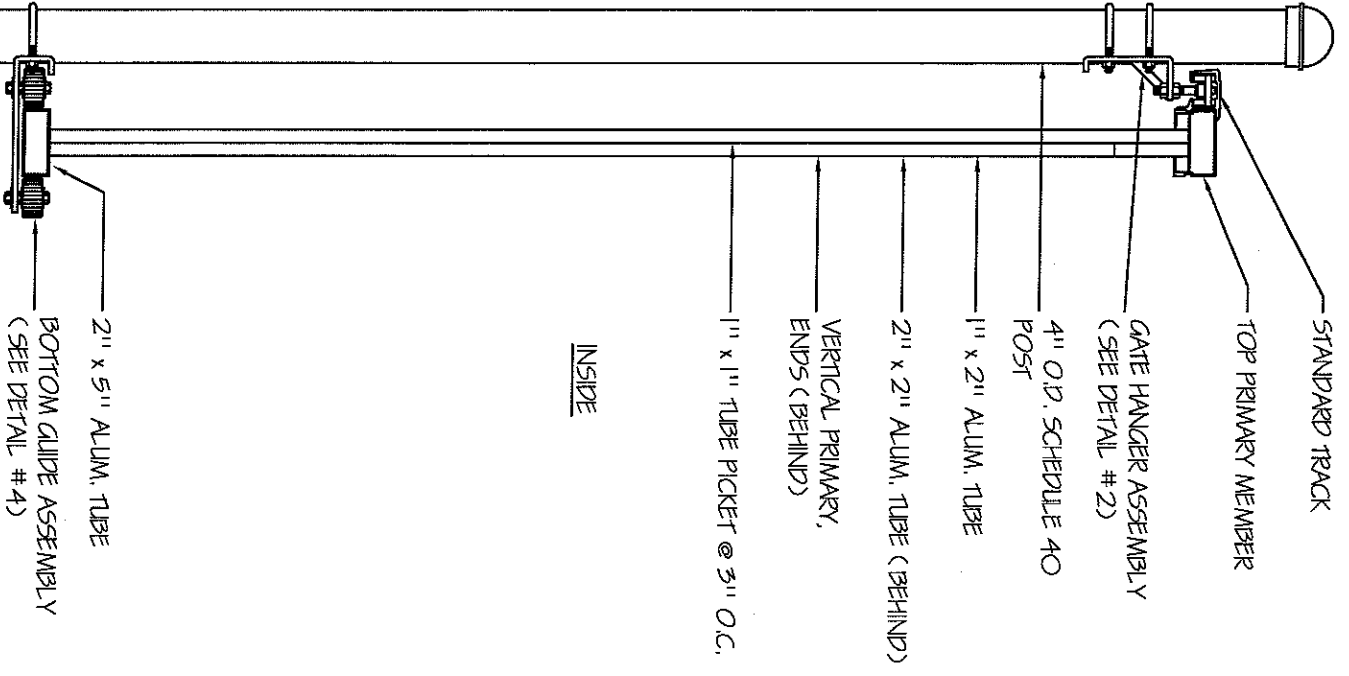
- NOTES:  
 1. ALL FITTINGS PROVIDED FOR 4" O.D. SCHEDULE 40 POSTS. OTHER SIZES ARE AVAILABLE UPON REQUEST.  
 2. GATE ELEVATION IS VIEWED FROM THE OUTSIDE OF THE SECURE AREA LOOKING IN.

**CRITICAL DIMENSION CHART**

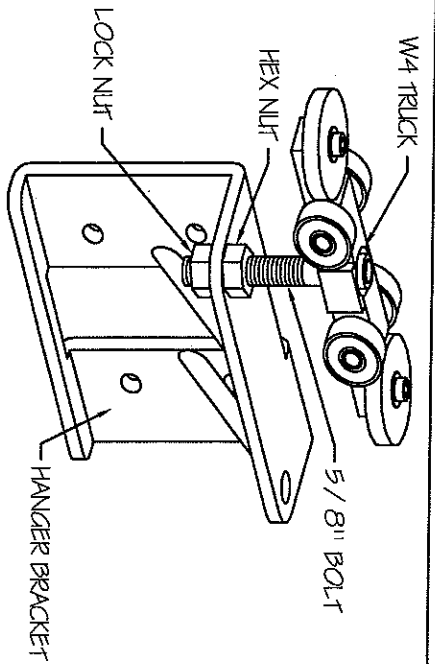
NOMINAL GATE SIZE		NOMINAL GATE HEIGHT	
A	CLEAR OPENING	D	POST HEIGHT
B	POST SPACING C/C	E	POST HEIGHT
C	OVERALL GATE LENGTH		

**TYMETAL CORP.**  
 www.tymetal.com  
 2549 STATE ROUTE 40  
 GREENWICH, N.Y. 12834  
 ☎ (800) 328-4283 - FX (518) 682-9404

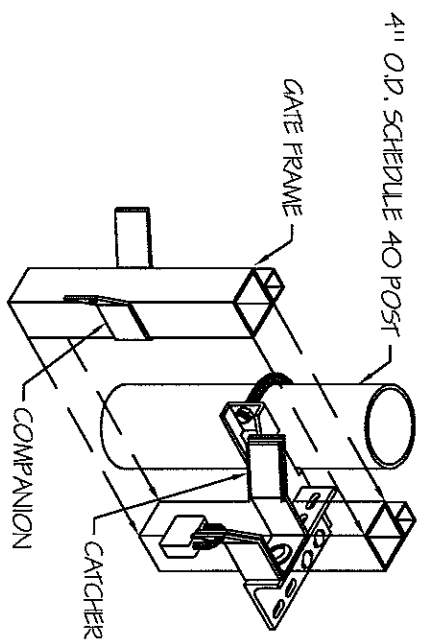
DRAWN BY: DATE: CHECKED BY: DATE: SCALE: <b>NONE</b> REVISION LEVEL:	PROJECT:  SUBJECT: <b>TYM-1000-H INTERNAL PICKET</b> CONTRACTOR:  ARCHITECT/ENGINEER:	DIRECTORY\CAD FILE:  SHEET NUMBER: <b>1 OF 3</b> DRAWING NUMBER:
--	---	--



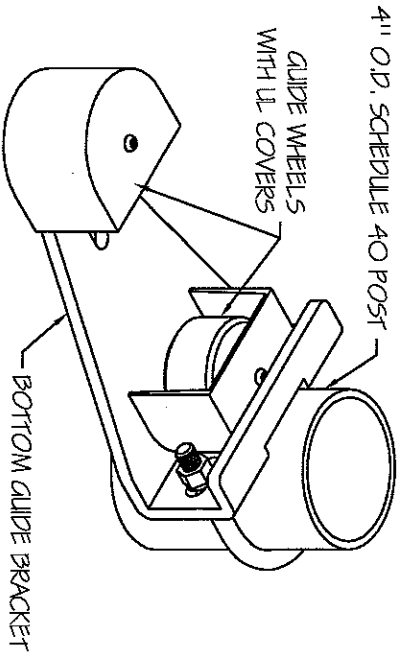
**1 ASSEMBLY SECTION**  
Scale: None



**2 GATE HANGER**  
Scale: None



**3 CATCH ASSEMBLY**  
Scale: None

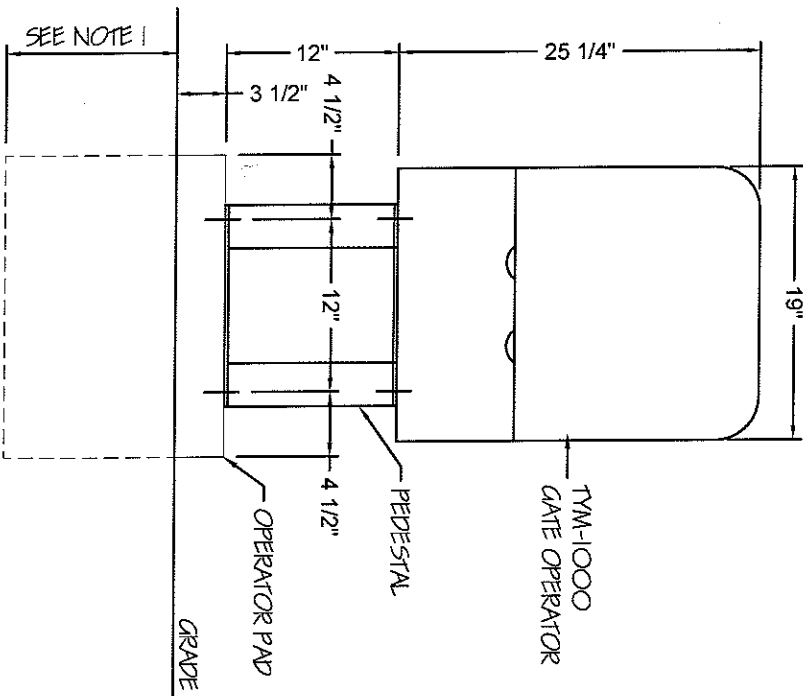


**4 BOTTOM GUIDE**  
Scale: None

 www.tymetal.com 2549 STATE ROUTE 40 GREENWICH, N.Y. 12834 PH: (800) 328-4283 - FX: (518) 692-9404	DRAWN BY: DATE:	PROJECT:	DIRECTORY/CAD FILE:
	CHECKED BY: DATE:	SUBJECT: TYM-1000-H INTERNAL PICKET	SHEET NUMBER: 2 OF 3
	SCALE: NONE	CONTRACTOR:	DRAWING NUMBER:
	REVISION LEVEL:	ARCHITECT/ENGINEER:	

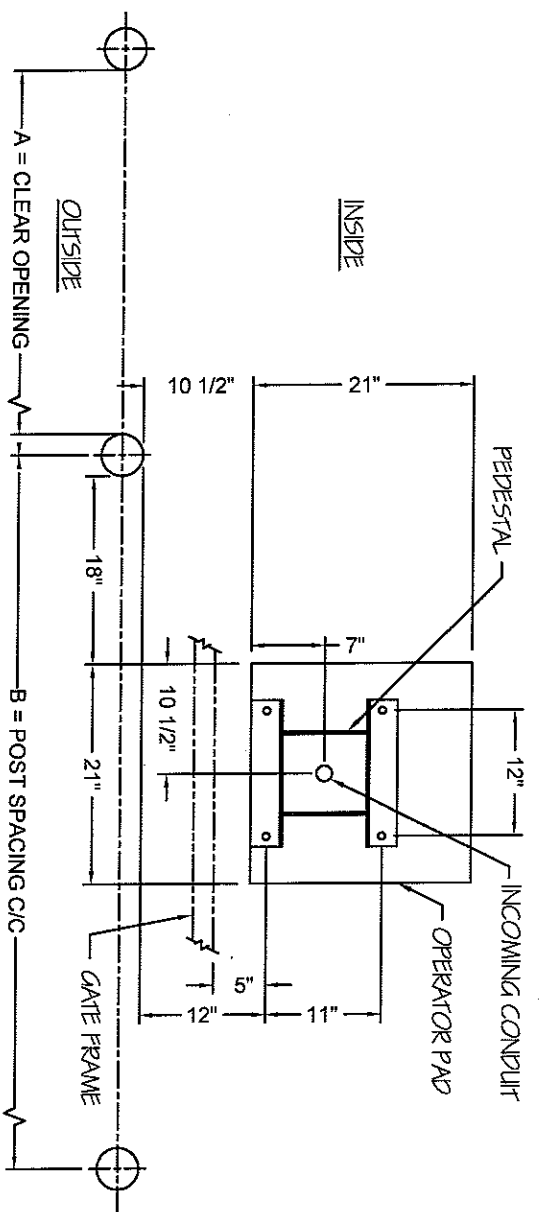
2 OPERATOR FRONT ELEVATION

GS1010-3 Scale: None



1 OPERATOR PAD LAYOUT PLAN

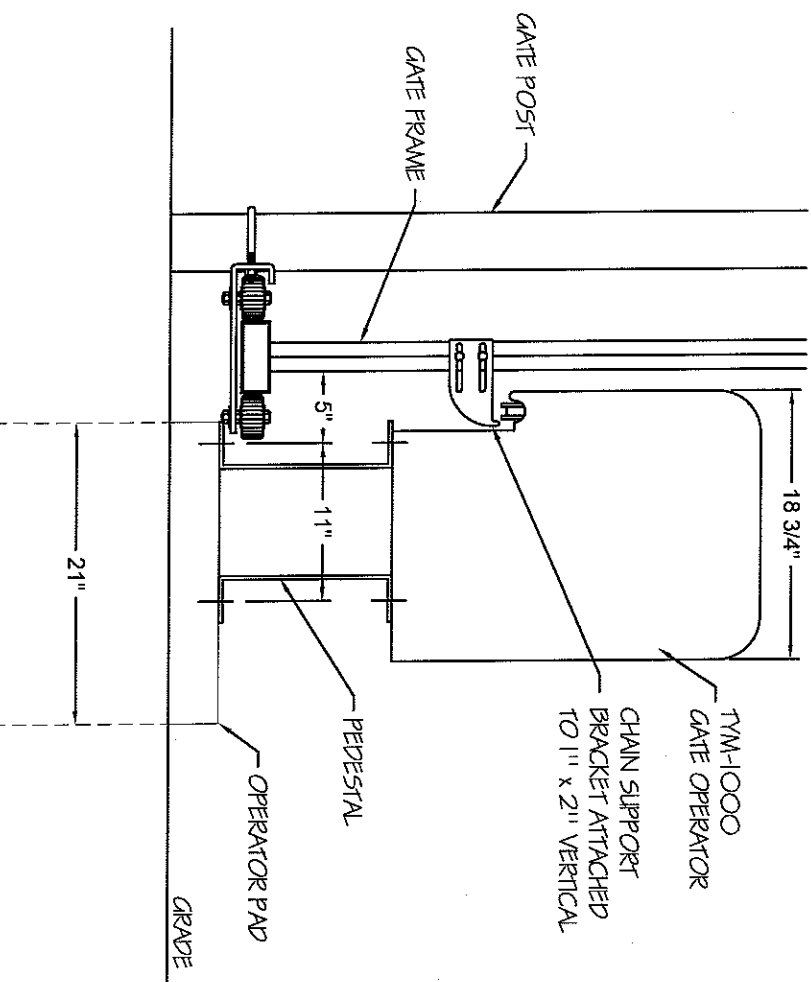
GS1010-3 Scale: None



NOTES:  
 1) OPERATOR PAD DEPTH TO BE MINIMUM OF 24" AND IN ACCORDANCE WITH ALL LOCAL CODES AND SOIL CONDITIONS.

3 OPERATOR SIDE ELEVATION

GS1010-3 Scale: None



DRAWN BY:	PROJECT:	DIRECTORY\CAD FILE:
DATE:	SUBJECT:	SHEET NUMBER:
CHECKED BY:	TYM-1000-H INTERNAL PICKET	3 OF 3
DATE:	CONTRACTOR:	DRAWING NUMBER:
SCALE:	ARCHITECT/ENGINEER:	
NONE		
REVISION LEVEL:		