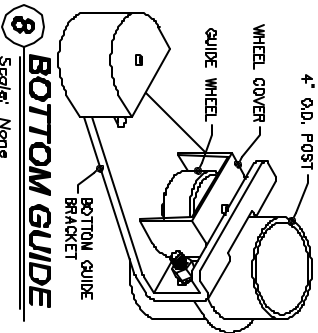
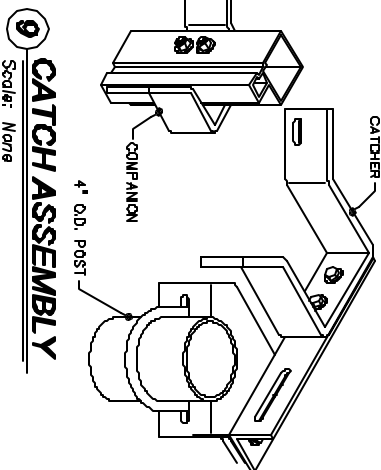
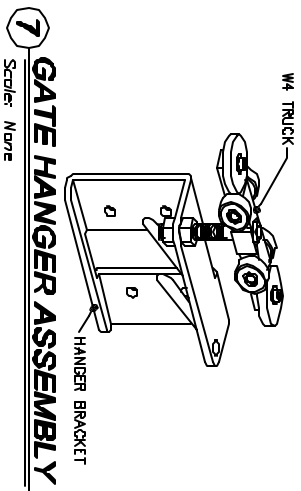


CRITICAL DIMENSION CHART

MARK	DESCRIPTION	FORMULA	DIM.
A	CLEAR OPENING	A	-
B	COUNTERBALANCE POST SPACING C/C	(A/2)-1"	-
C	OVERALL GATE LENGTH	A x 1.5	-
D	COUNTERBALANCE LENGTH	A x 0.5	-
E	NOMINAL GATE HEIGHT	E	-
F	POST HEIGHT (W BARB ARMS)	E + 1'-6"	-
G	FABRIC HEIGHT	E - 1'-0"	-



NOTES:
 1. FOR COMPLETE INFORMATION ON THE TMM-2000 OPERATOR VISIT THE "GATE OPERATORS" SECTION OF THE WEB SITE.
 2. ALL FITTINGS STANDARILY PROVIDED FOR 4" O.D. POSTS OTHER SIZES AVAILABLE UPON REQUEST.
 3. BARB ARMS (FOR BARBED WIRE) OPTIONAL.



2549 STATE ROUTE 40
 GREENWICH, N.Y. 12834
 PH (800) 328-4283 - FX(908) 892-9404
 www.tymetal.com

TYM-2000 SECURITY GATE SYSTEM
 (WITH STRUCTURAL GATE)