

1 PLAN VIEW  
 G51006-1 Scale: None

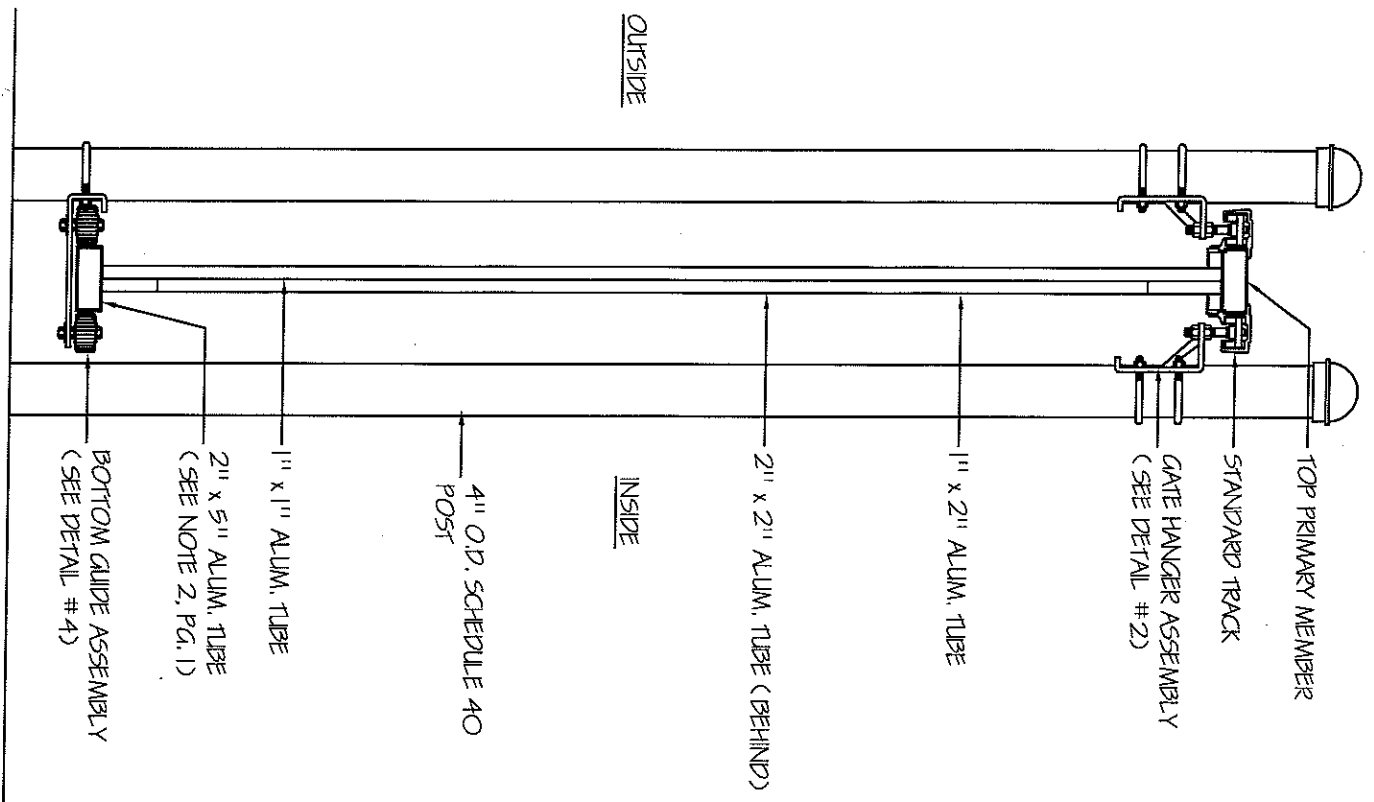
2 ELEVATION  
 G51006-1 Scale: None

NOTES:  
 1. ALL FITTINGS PROVIDED FOR 4" O.D. SCHEDULE 40 POSTS. OTHER SIZES ARE AVAILABLE UPON REQUEST.  
 2. FOR GATES THAT REQUIRE TWO PIECE FABRICATION, A 5" ALUMINUM CHANNEL WILL BE SUBSTITUTED FOR THE 2" x 5" ALUM. TUBE, AND A VERTICAL SPLICE WILL BE ADDED.

**CRITICAL DIMENSION CHART**

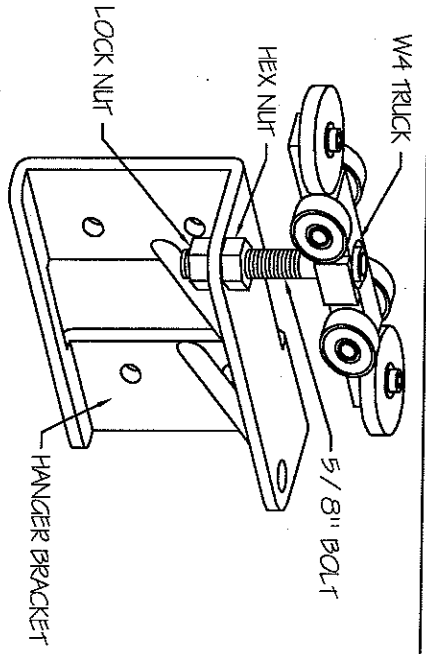
NOMINAL GATE SIZE		CLEAR OPENING		NOMINAL GATE HEIGHT	
A		D			
B	POST SPACING C/C	E	POST HEIGHT		
C	OVERALL GATE LENGTH	F	PICKET HEIGHT		

<p>           2549 STATE ROUTE 40            GREENWICH, N.Y. 12834            PH: (800) 328-4283 - FX: (518) 692-9404         </p>	DRAWN BY: DATE:	PROJECT:	DIRECTORY/CAD FILE:
	CHECKED BY: DATE:	SUBJECT: TYM-2000-H INTERNAL PICKET	SHEET NUMBER: 1 OF 3
	SCALE: NONE	CONTRACTOR:	DRAWING NUMBER:
	REVISION LEVEL:	ARCHITECT/ENGINEER:	



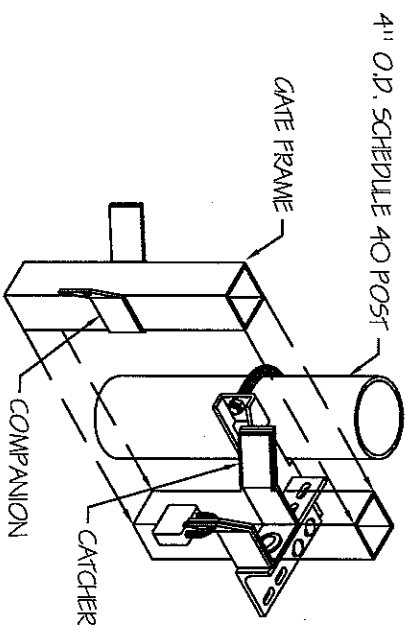
**1 ASSEMBLY SECTION**

GS1006-2 Scale: None



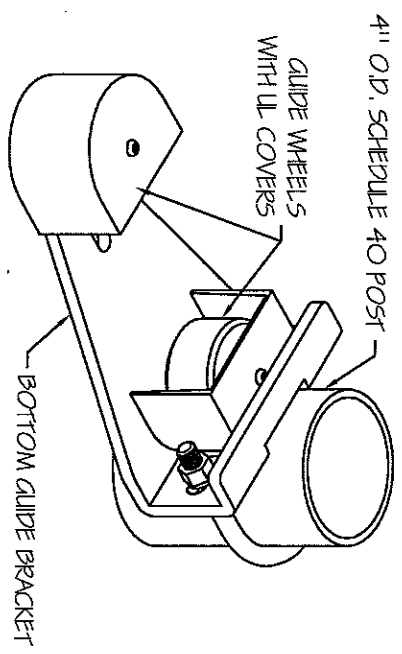
**2 GATE HANGER**

GS1006-2 Scale: None



**3 CATCH ASSEMBLY**

GS1006-2 Scale: None



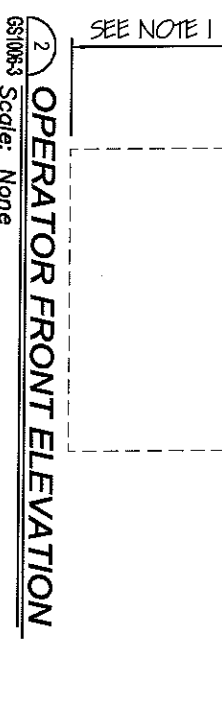
**4 BOTTOM GUIDE**

GS1006-2 Scale: None

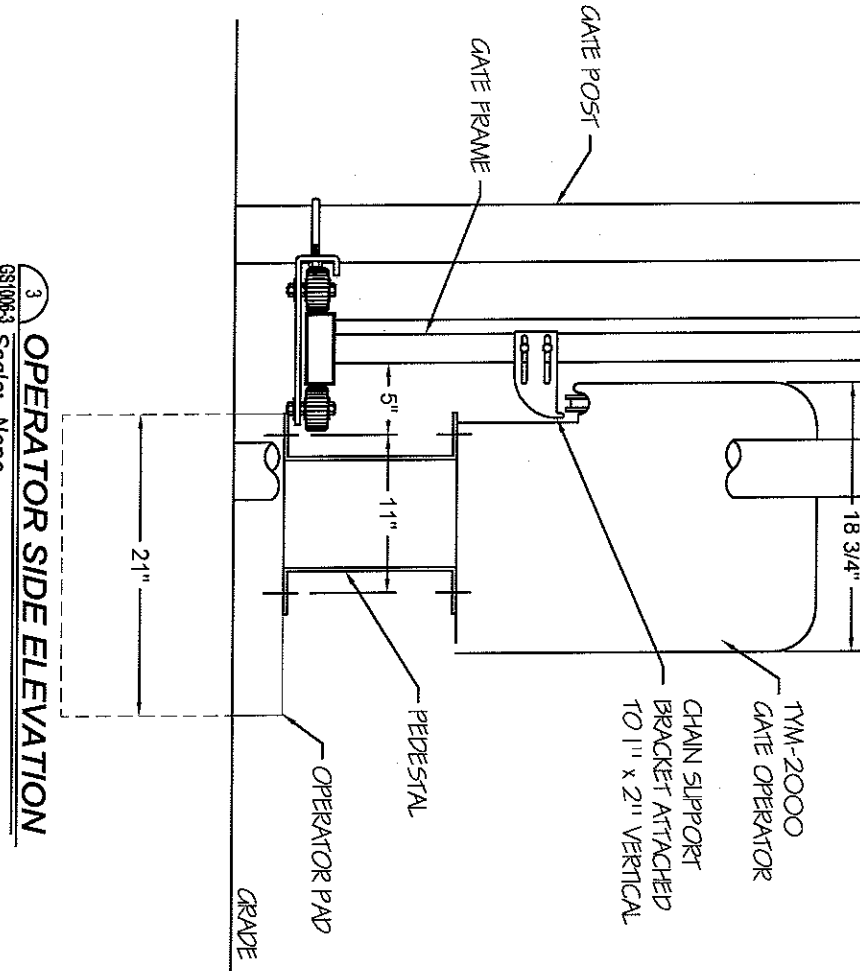
**TYMETAL CORP**  
www.tymetal.com  
2549 STATE ROUTE 40  
GREENWICH, N.Y. 12834  
PH: (800) 328-4283 - FX: (518) 692-9404

DRAWN BY: DATE: CHECKED BY: DATE: SCALE: <b>NONE</b> REVISION LEVEL:	PROJECT:  SUBJECT: <b>TYM-2000-H INTERNAL PICKET</b> CONTRACTOR:  ARCHITECT/ENGINEER:	DIRECTORY\CAD FILE:  SHEET NUMBER: <b>2 OF 3</b> DRAWING NUMBER:
--	---	--

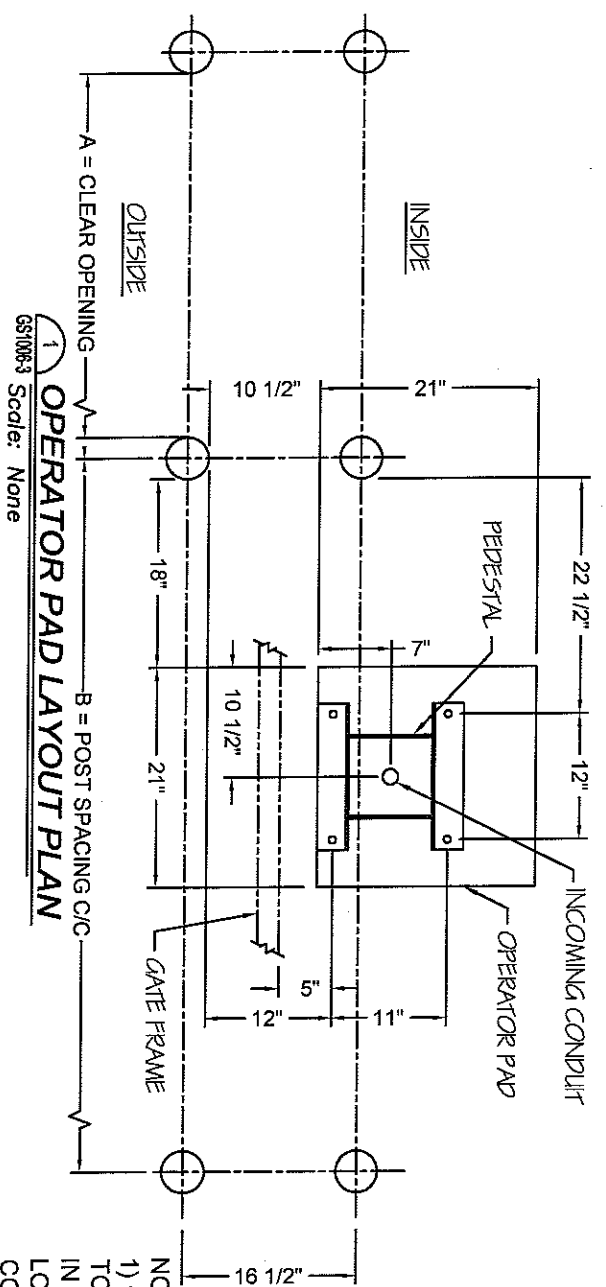
2 OPERATOR FRONT ELEVATION



3 OPERATOR SIDE ELEVATION



1 OPERATOR PAD LAYOUT PLAN



NOTES:  
 1) OPERATOR PAD DEPTH TO BE MINIMUM OF 24" AND IN ACCORDANCE WITH ALL LOCAL CODES AND SOIL CONDITIONS.

**TYMETAL CORP.**  
 www.tymetal.com  
 2549 STATE ROUTE 40  
 GREENWICH, N.Y. 12834  
 PH: (800) 328-4283 - FX: (516) 682-9404

DRAWN BY:	
DATE:	
CHECKED BY:	
DATE:	
SCALE:	NONE
REVISION LEVEL:	

PROJECT:	
SUBJECT:	TYM-2000-H INTERNAL PICKET
CONTRACTOR:	
ARCHITECT/ENGINEER:	

DIRECTORY\CAD FILE:	
SHEET NUMBER:	3 OF 3
DRAWING NUMBER:	