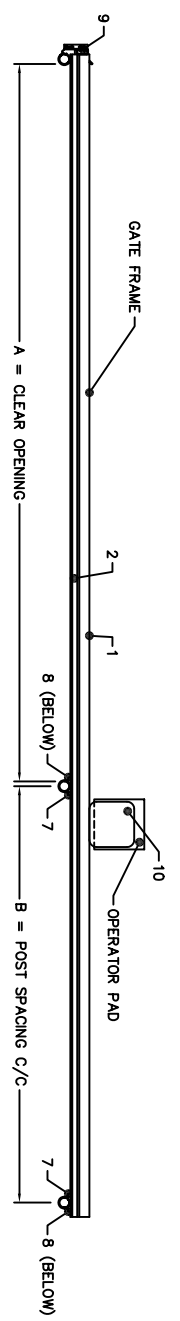
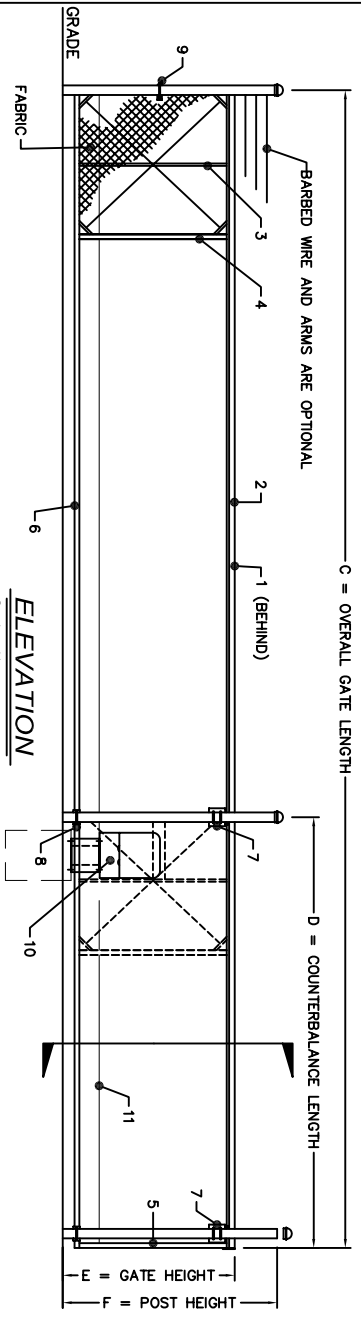


CRITICAL DIMENSION CHART			
MARK	DESCRIPTION	FORMULA	DIM.
A	CLEAR OPENING	A	-
B	COUNTERBALANCE POST SPACING C/C	(A/2)-1'1"	-
C	OVERALL GATE LENGTH	A x 1.5	-
D	COUNTERBALANCE LENGTH	A x 0.5	-
E	NOMINAL GATE HEIGHT	E	-
F	POST HEIGHT (W BARB ARMS)	E + 1'-6"	-
G	FABRIC HEIGHT	E - 1'-0"	-

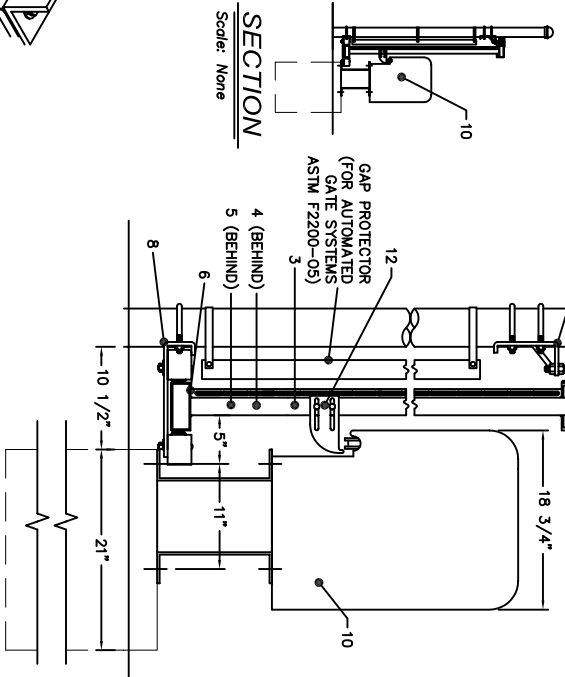
PLAN VIEW
Scale: None



ELEVATION
Scale: None



SECTION
Scale: None

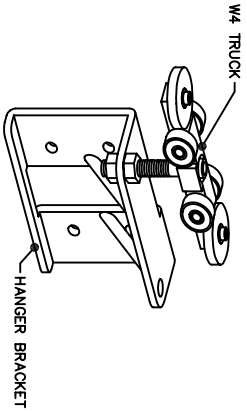


OPERATOR SIDE ELEVATION
Scale: None

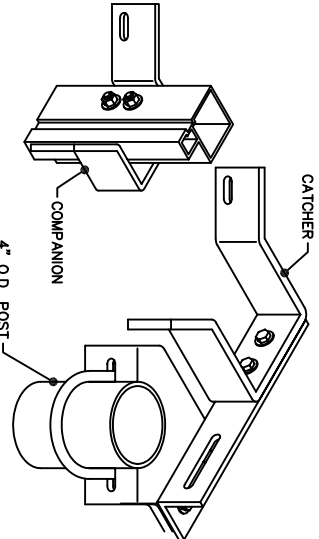
TYM-1000 SECURITY GATE SYSTEM (WITH HEAVY DUTY GATE)
Scale: None

BILL OF MATERIALS		
MARK	DESCRIPTION	NOTES
1	TOP PRIMARY MEMBER	
2	STANDARD TRACK	CENTERED BETWEEN 2x2'S
3	1" x 2" ALUM. TUBE	
4	2" x 2" ALUM. TUBE	
5	STANDARD PRIMARY	TYPE AT ENDS OF GATE FRAME
6	2" x 5" ALUM. TUBE	
7	HANGER ASSEMBLY	2 REQUIRED
8	BOTTOM GUIDE ASSEMBLY	2 REQUIRED
9	CATCH ASSEMBLY	1 REQUIRED
10	TYM-1000 GATE OPERATOR DRIVE CHAIN	
11	CHAIN SUPPORT BRACKET	
12	CHAIN SUPPORT BRACKET	AS REQUIRED

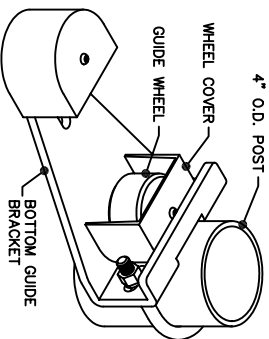
7 GATE HANGER ASSEMBLY
Scale: None



9 CATCH ASSEMBLY
Scale: None



8 BOTTOM GUIDE
Scale: None



- NOTES:
1. FOR COMPLETE INFORMATION ON THE TYM-1000 OPERATOR VISIT THE "GATE OPERATORS" SECTION OF THE WEB SITE.
2. ALL FITTINGS STANDARDLY PROVIDED FOR 4" O.D. POSTS. OTHER SIZES AVAILABLE UPON REQUEST.
3. BARB ARMS (FOR BARBED WIRE) OPTIONAL.

2549 STATE ROUTE 40
GREENWICH, N.Y. 12834
PH: (800) 308-4283 - FX: (516) 892-9404
www.tymetal.com