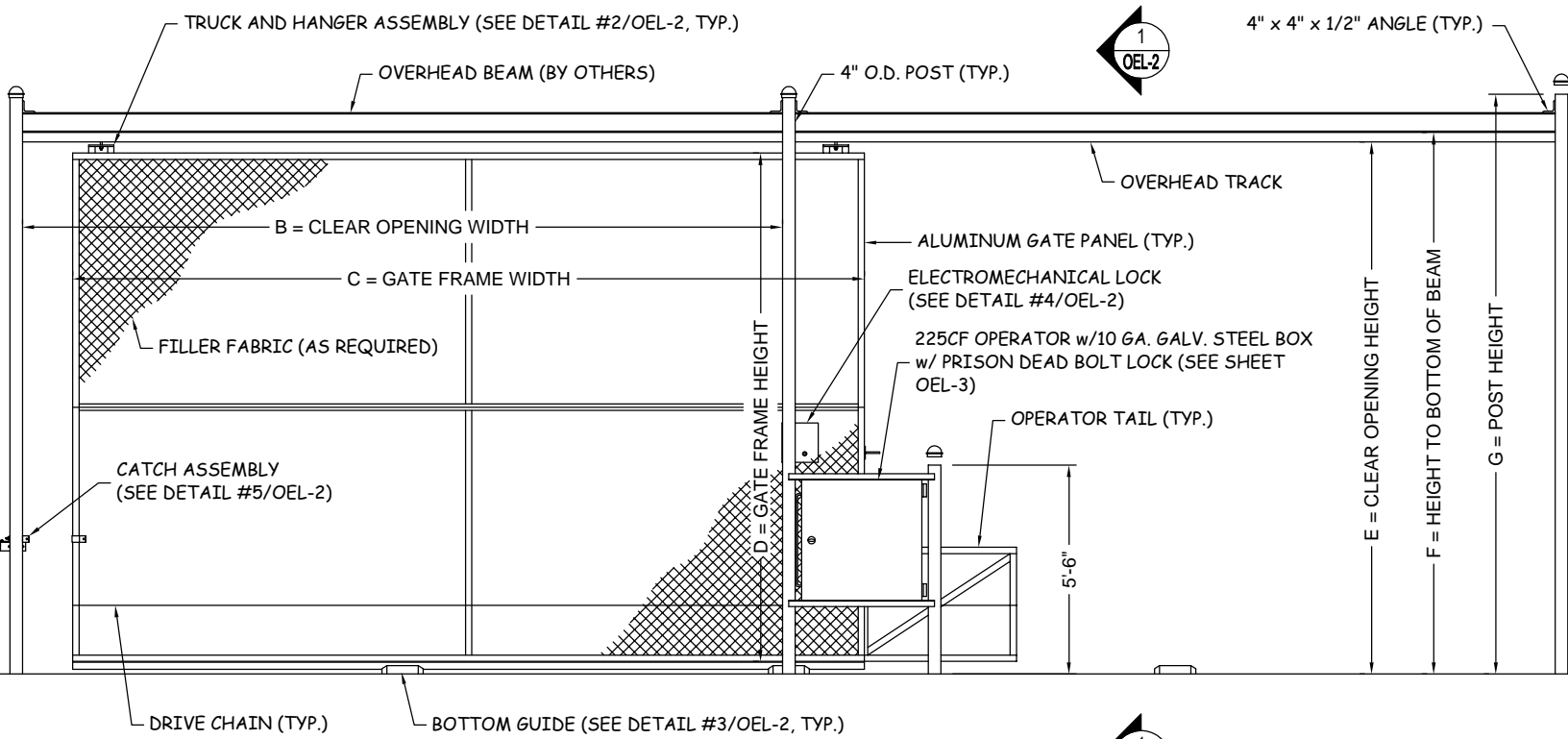


1 PLAN VIEW
Scale: None



2 ELEVATION
Scale: None

CRITICAL DIMENSION CHART

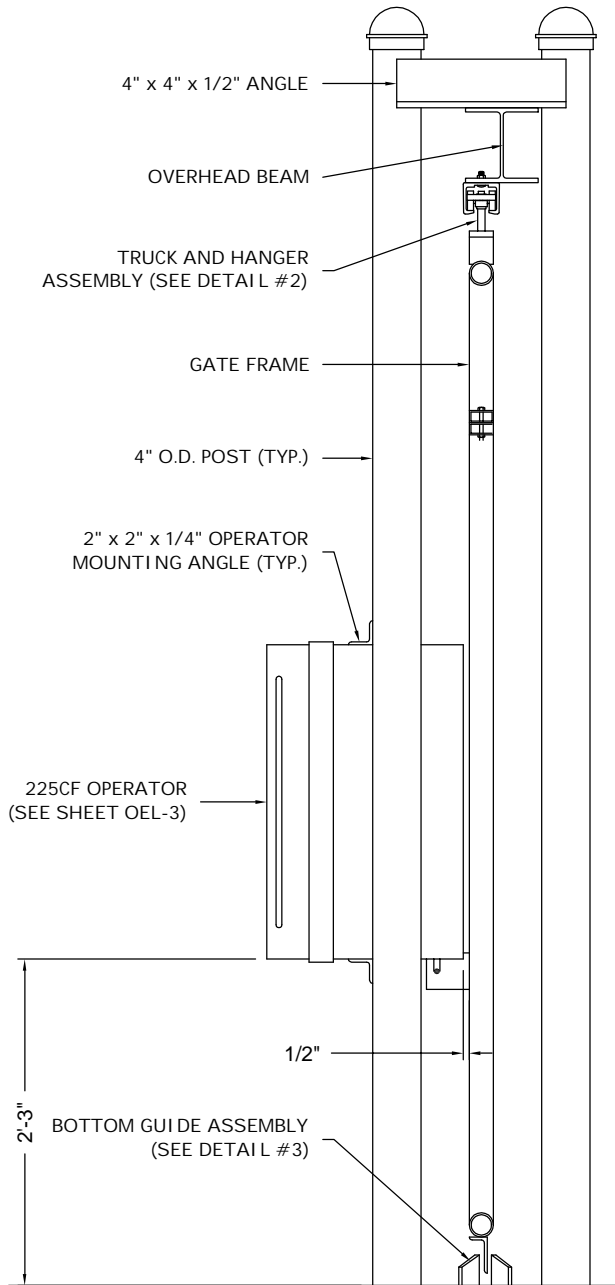
A	POST SPACING CENTER TO CENTER	E	CLEAR OPENING HEIGHT
B	CLEAR OPENING WIDTH	F	HEIGHT TO BOTTOM OF BEAM
C	GATE FRAME WIDTH	G	POST HEIGHT
D	GATE FRAME HEIGHT		

DIRECTORY/CAD FILE: 225CF-1850 Overhead-OEL-1.Rvt
 SHEET NUMBER: 1 of 3
 DRAWING NUMBER: **OEL-1**

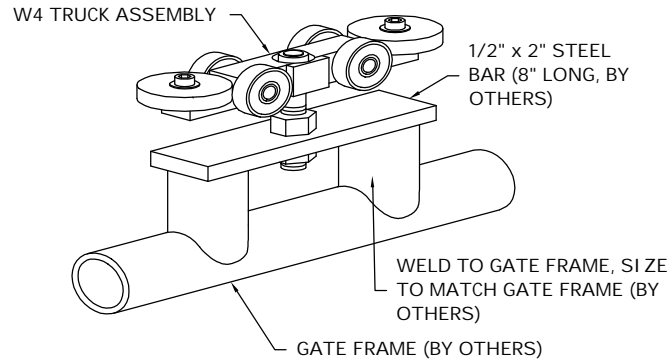
PROJECT: 225CF Overhead Sliding Gate with 1850 Lock
 SUBJECT: 225CF Overhead Sliding Gate with 1850 Lock
 CONTRACTOR:
 ARCHITECT/ENGINEER:

DATE: 3-19-03
 DRAWN BY: KEH
 SCALE: As Noted
 REVISION LEVEL: 001

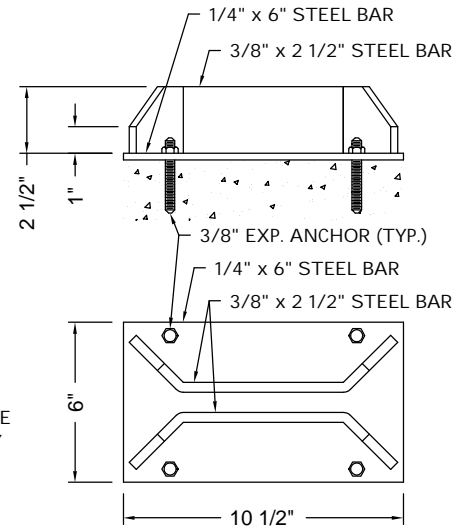
TYMETAL
 THE TYMETAL CORPORATION
 P.O. BOX 139
 SCHUYLERVILLE, N.Y.
 12871
 PH: (800) 328-4283
 FX: (518) 692-9404



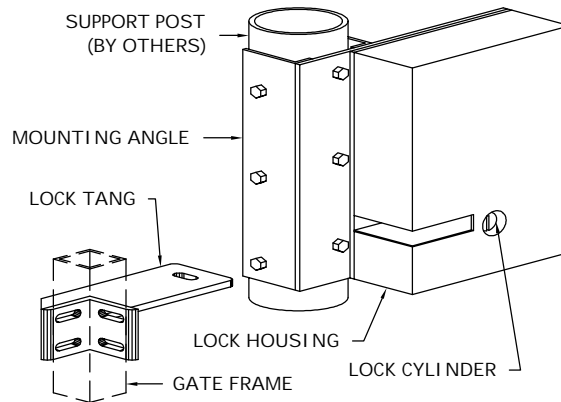
1 ASSEMBLY SECTION
 OEL-2 Scale: None



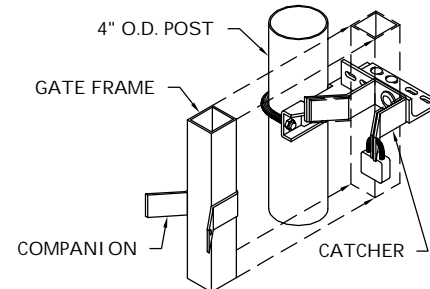
2 TRUCK AND HANGER ASSEMBLY
 OEL-2 Scale: None



3 BOTTOM GUIDE
 OEL-2 Scale: None



4 ELECTROMECHANICAL LOCK
 OEL-2 Scale: None



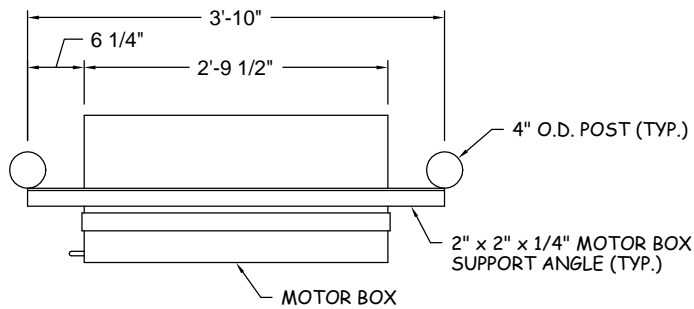
5 CATCH ASSEMBLY
 OEL-2 Scale: None

DIRECTORY/CAD FILE:
 225CF-1850 Overhead-OEL-2.R1
 SHEET NUMBER:
 2 of 3
 DRAWING NUMBER:
OEL-2

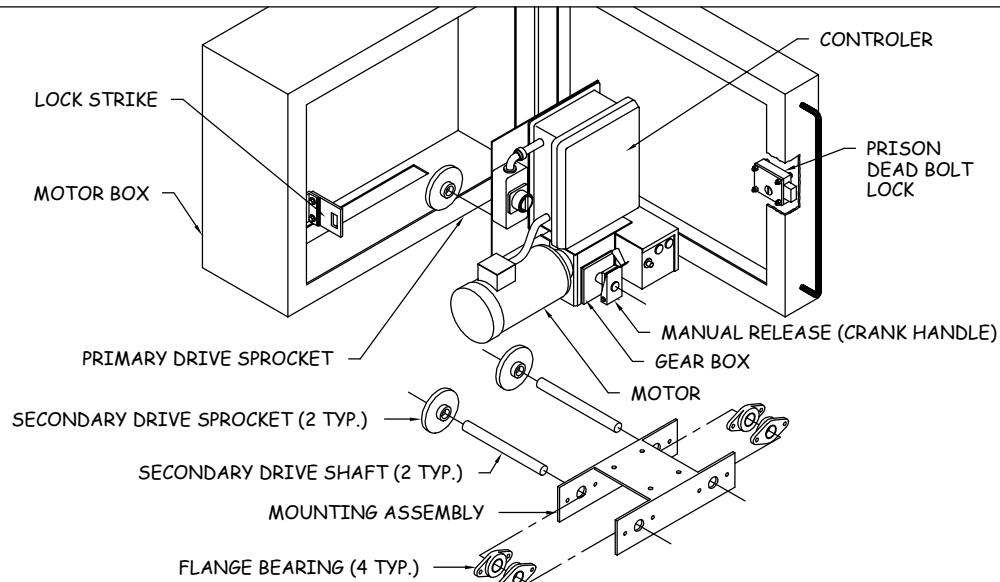
PROJECT:
 SUBJECT:
Overhead Gate Details
 CONTRACTOR:
 ARCHITECT/ENGINEER:

DATE:
3-19-03
 DRAWN BY:
KEH
 SCALE:
As Noted
 REVISION LEVEL:
001

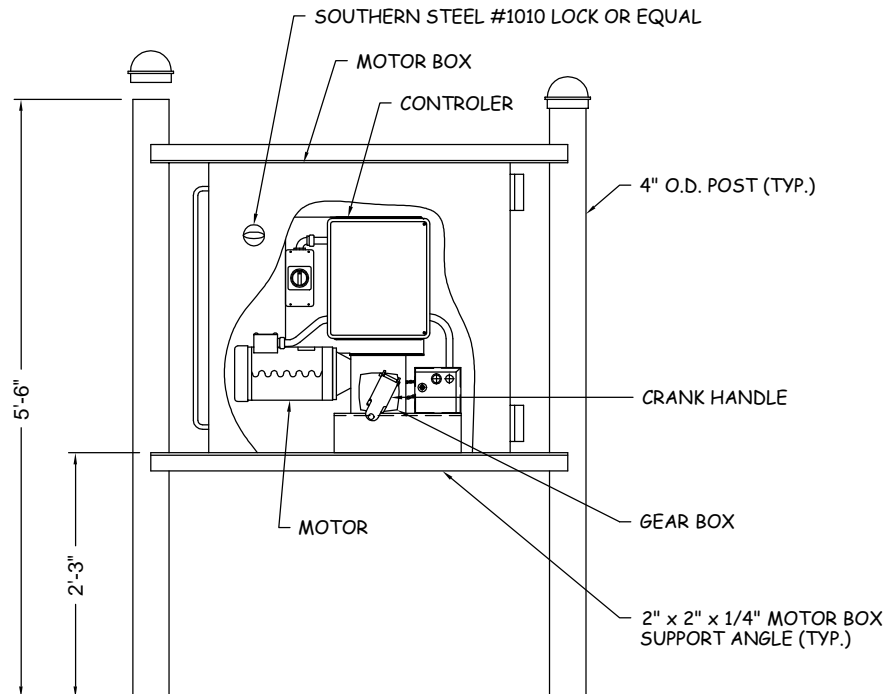
TYMETAL
 THE TYMETAL CORPORATION
 P.O. BOX 139
 SCHUYLVILLE, N.Y.
 12871
 PH: (800) 328-4283
 FX: (518) 692-9404



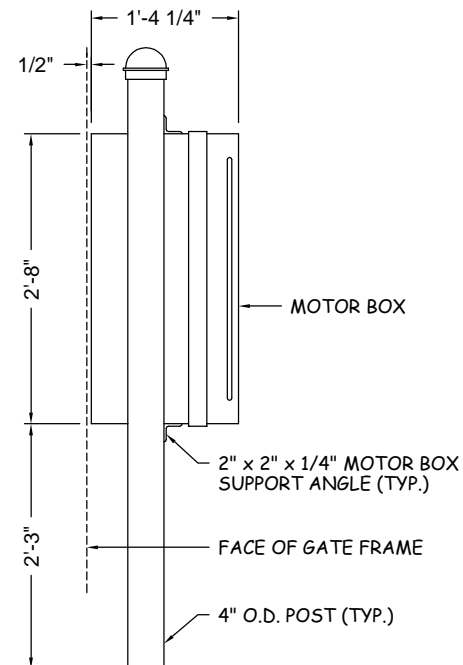
1 OPERATOR PLAN
 OEL-3 Scale: None



2 OPERATOR DRIVE ASSEMBLY
 OEL-3 Scale: None



3 OPERATOR FRONT ELEVATION
 OEL-3 Scale: None



4 OPERATOR SIDE ELEVATION
 OEL-3 Scale: None

PROJECT:	225CF Gate Operator	DATE:	3-19-03
SUBJECT:	225CF Gate Operator	DRAWN BY:	KEH
CONTRACTOR:		SCALE:	As Noted
ARCHITECT/ENGINEER:		REVISION LEVEL:	001
DIRECTORY\CAD FILE:	225CF-1850 Overhead-OEL-3 R1	TYMETAL THE TYMETAL CORPORATION P.O. BOX 139 SCHUYLERVILLE, N.Y. 12871 PH: (800) 328-4283 FX: (518) 692-9404	
SHEET NUMBER:	3 of 3		
DRAWING NUMBER:	OEL-3		