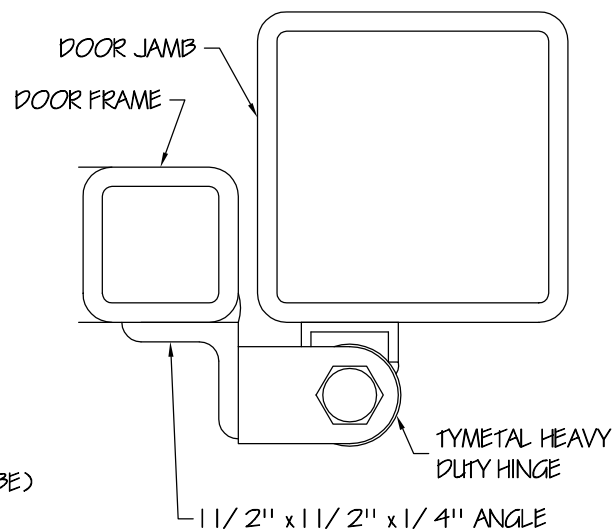
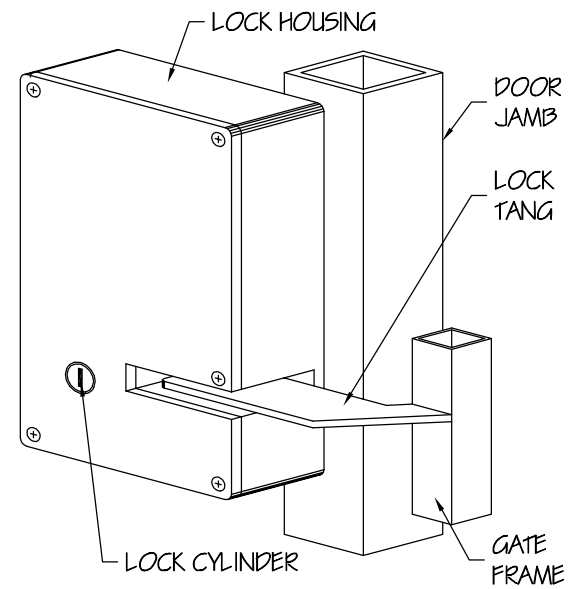


**1 SWING GATE ELEVATION**  
 Scale: None



**2 HINGE DETAIL**  
 Scale: None



**3 ELECTROMECHANICAL LOCK**  
 Scale: None

**NOTE:**  
 1. THE OPENING IN THE FENCE LINE SHALL BE BUILT TO ACCOMODATE THE DOOR JAMB PER THE OWNERS SPECIFICATIONS.  
 2. GATE FRAME WILL BE FILLED WITH WELDED WIRE MESH AS SPECIFIED BY THE OWNER.

DIRECTORY/CAD FILE: <b>2150-W3_R2</b>		SHEET NUMBER: <b>1 of 1</b>		DRAWING NUMBER: <b>25W3-1</b>	
PROJECT: <b>2150-W3 Pedestrian Swing Gate (3'-6" x 7'-0" Opening)</b>		SUBJECT: <b>2150-W3 Pedestrian Swing Gate (3'-6" x 7'-0" Opening)</b>		CONTRACTOR:  	
DATE: <b>12-15-04</b>		DRAWN BY: <b>KEH</b>		SCALE: <b>As Noted</b>	
REVISION LEVEL: <b>2</b>		ARCHITECT/ENGINEER:  		REVISION LEVEL: <b>2</b>	
		www.tymetal.com		2549 STATE ROUTE 40 GREENWICH, N.Y. 12834 PH: (800) 328-4283 - FX: (518) 692-9404	