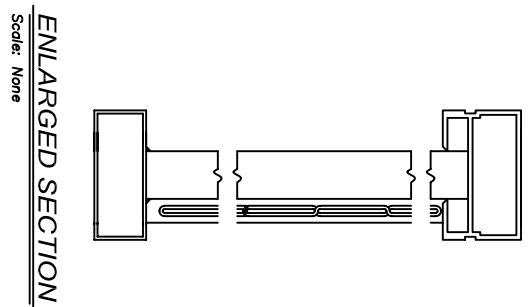
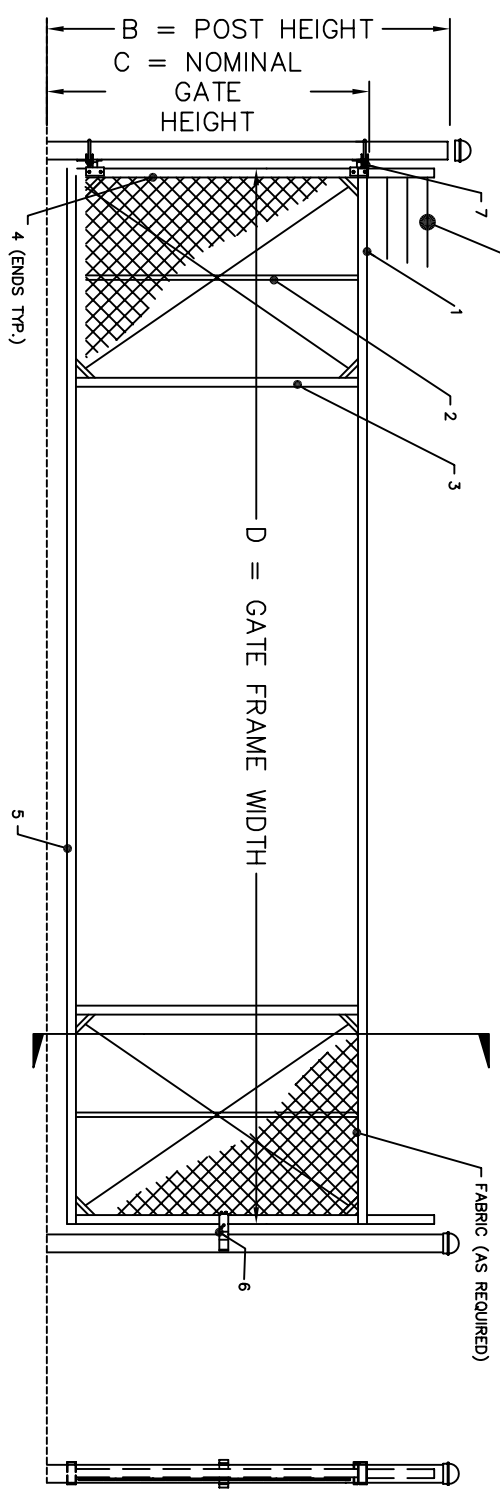
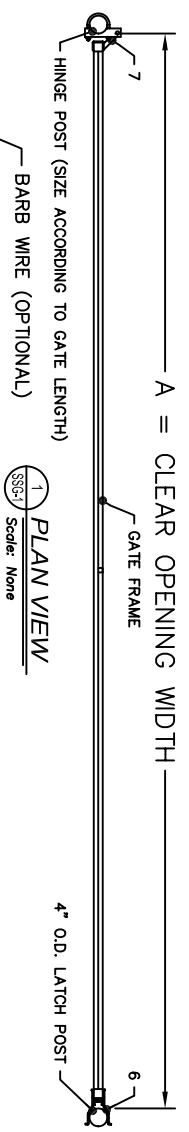
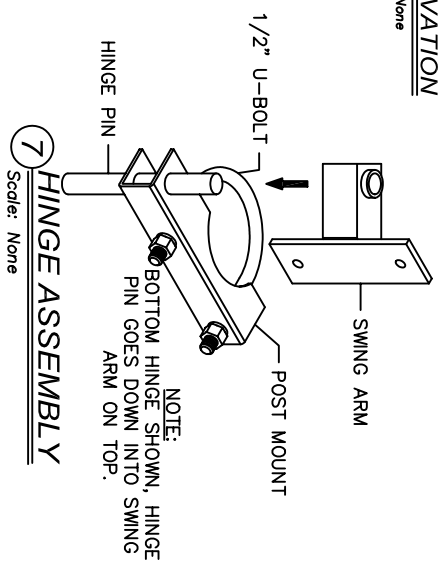
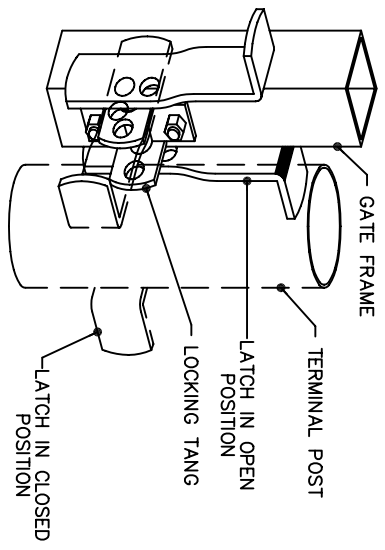


CRITICAL DIMENSION CHART		
A	CLEAR OPENING WIDTH	
B	POST HEIGHT	E + 1'-6"
C	NOMINAL GATE HEIGHT	
D	GATE FRAME WIDTH	VARIES DEPENDING ON HARDWARE
E	FABRIC HEIGHT	C-1'-0"



- NOTES:
1. HANGER POST SIZE WILL VARY DEPENDING ON THE CLEAR OPENING WIDTH.
  2. APPROPRIATE HARDWARE WILL BE PROVIDED AS REQUIRED.
  3. BARB ARMS ARE OPTIONAL.



**SWING GATE HEAVY DUTY**

**BILL OF MATERIALS**

MARK	DESCRIPTION	NOTES:
1	TOP PRIMARY MEMBER	
2	1" x 2" ALUM. TUBE	CENTERED BETWEEN 2x2'S
3	2" x 2" ALUM. TUBE	
4	STANDARD PRIMARY	TYP. AT ENDS OF GATE
5	2" x 5" ALUM. TUBE	
6	LATCH ASSEMBLY	1 REQUIRED
7	HINGE ASSEMBLY	1 REQUIRED

**TYMETAL CORP.**  
www.tymetal.com

2549 STATE ROUTE 40  
GREENWICH, N.Y. 12834  
PH: (800) 328-4283 - FX: (518) 892-9404