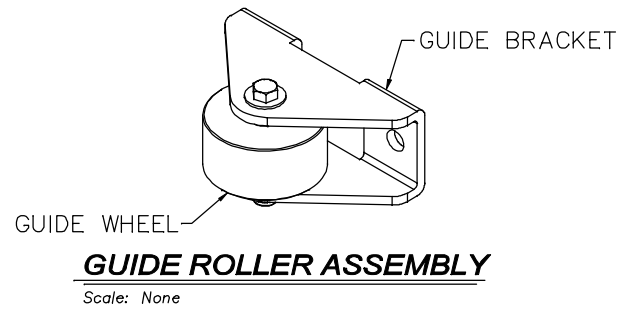
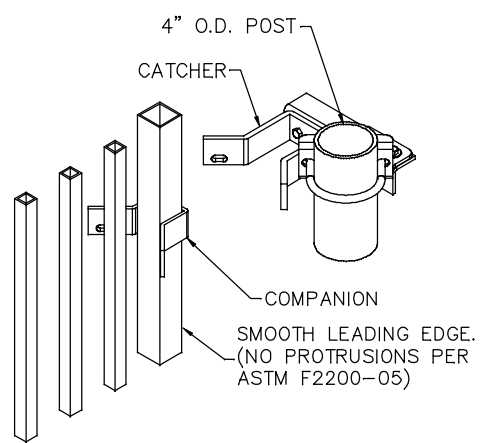
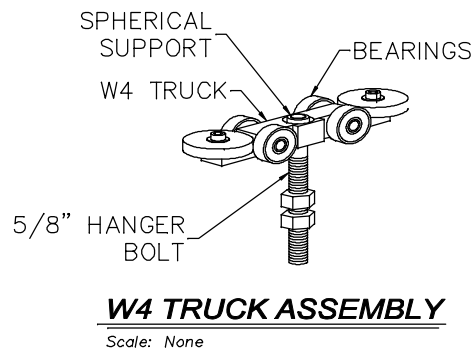
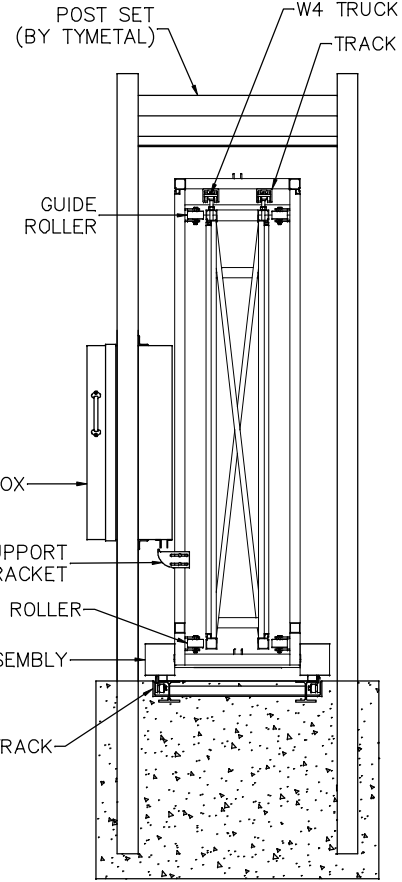
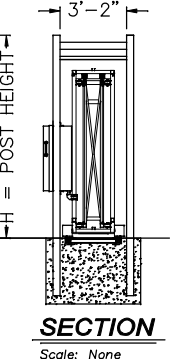
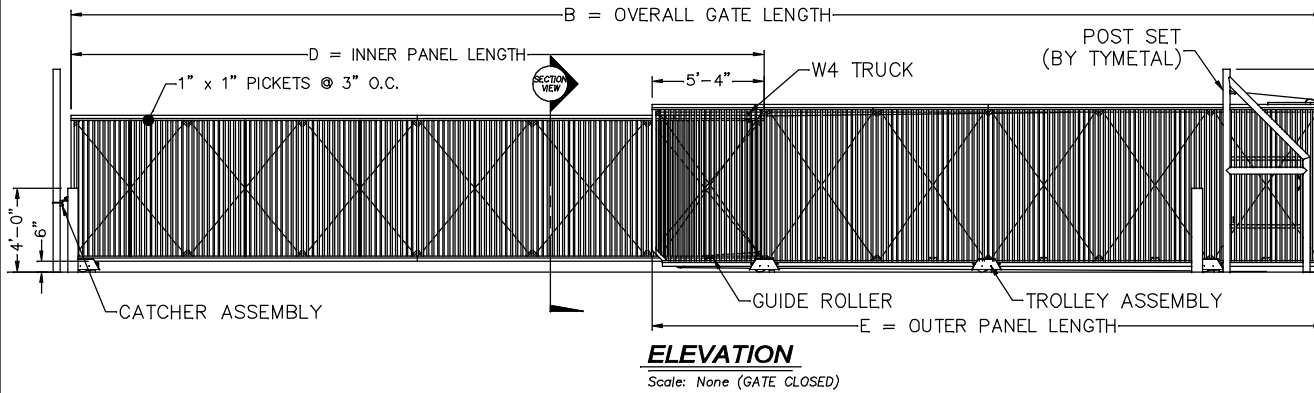


CRITICAL DIMENSION CHART			
MARK	DESCRIPTION	FORMULA	DIM.
A	CLEAR OPENING	A	-
B	OVERALL GATE LENGTH	D + E - 5'-4"	-
C	GATE FRAME HEIGHT	C	-
D	INNER PANEL LENGTH	(A + 13) / 2	-
E	OUTER PANEL LENGTH	D - 1'	-
F	OVERALL TRACK LENGTH	A + G - 4'	-
G	COLLAPSED LENGTH	D	-
H	POST HEIGHT	G + 1'-8"	-



NOTES:  
1. ALL FITTINGS STANDARDLY PROVIDED FOR 4" O.D. POSTS. OTHER SIZES AVAILABLE UPON REQUEST.

U.S. Patent #8,181,689 B2

**TYMETAL CORP.**  
www.tymetal.com

2549 STATE ROUTE 40  
GREENWICH, N.Y. 12834  
PH: (800) 328-4283 - FX: (518) 692-9404