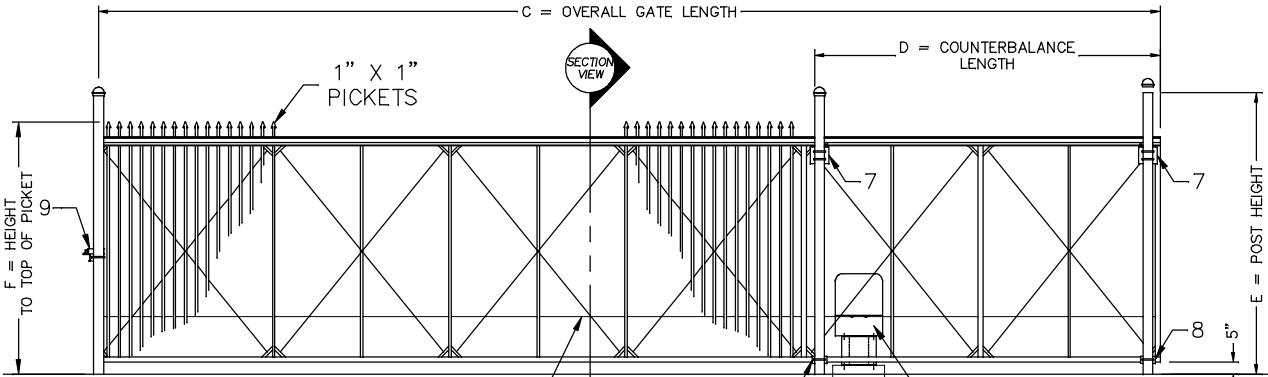


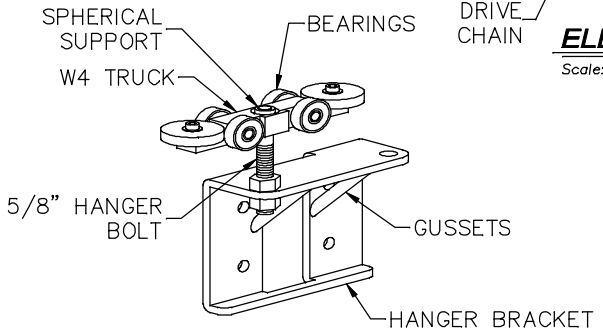
**PLAN VIEW**

Scale: None



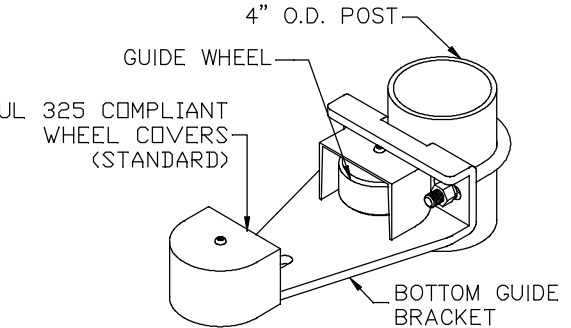
**ELEVATION**

Scale: None



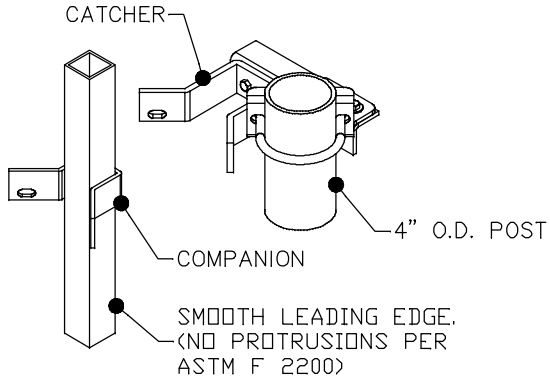
**7 GATE HANGER ASSEMBLY**

Scale: None



**8 BOTTOM GUIDE**

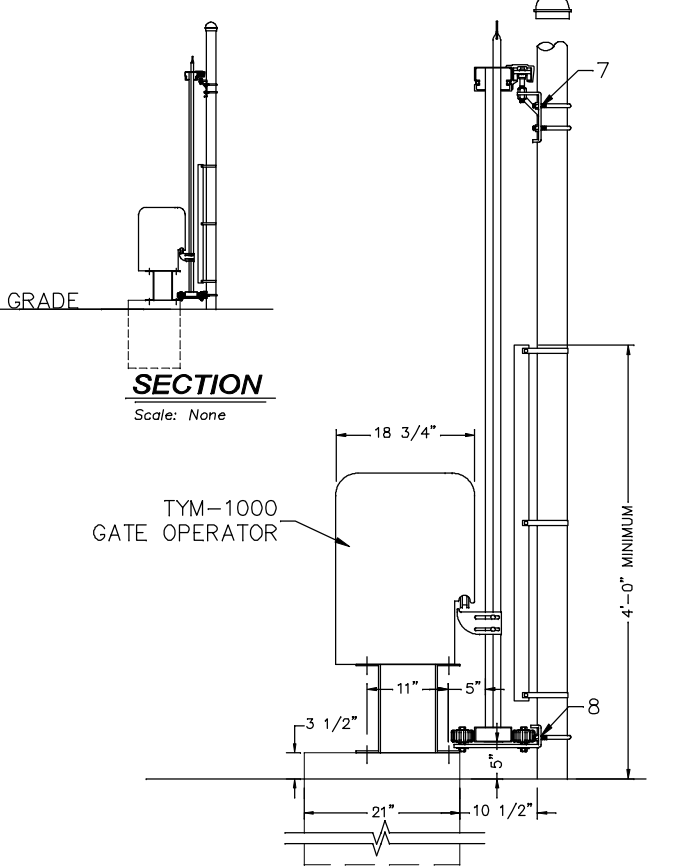
Scale: None



**9 CATCH ASSEMBLY**

Scale: None

CRITICAL DIMENSION CHART			
MARK	DESCRIPTION	FORMULA	DIM.
A	CLEAR OPENING	A	-
B	COUNTERBALANCE POST SPACING C/C	(A/2)-11"	-
C	OVERALL GATE LENGTH	A x 1.5	-
D	COUNTERBALANCE LENGTH	A x 0.5	-
E	POST HEIGHT	E = F	-
F	HEIGHT TO TOP OF PICKET	F	-
G	PICKET HEIGHT	G	-



**SECTION**

Scale: None

**ENLARGED SECTION**

Scale: None



2549 STATE ROUTE 40  
GREENWICH, N.Y. 12834  
PH: (800) 328-4283 - FX: (518) 692-9404

www.tymetal.com

**TYM-1000 SECURITY GATE SYSTEM  
(WITH ORNAMENTAL HEAVY DUTY GATE)**