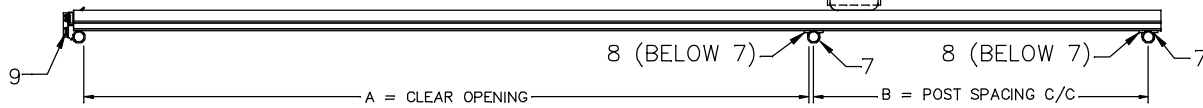
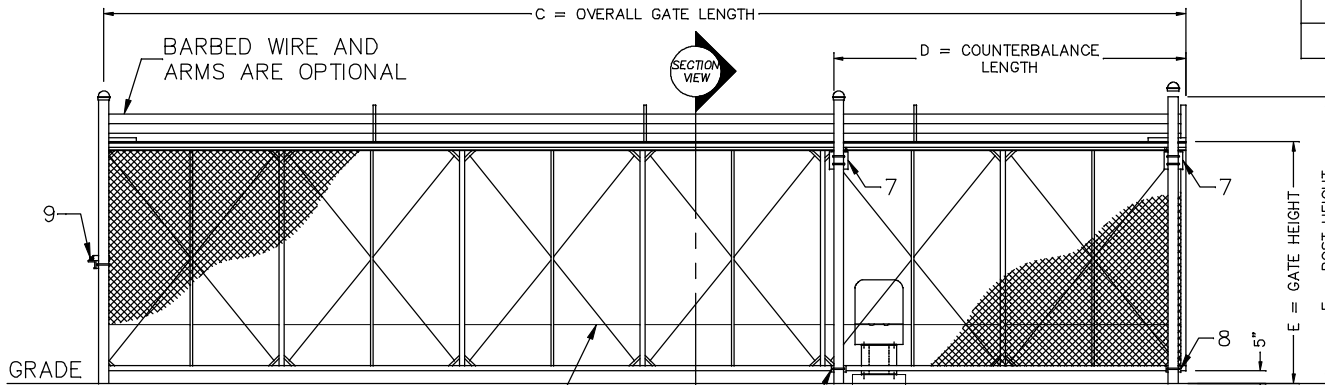


TYM-1000 GATE OPERATOR OPERATOR PAD



**PLAN VIEW**

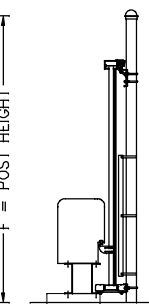
Scale: None



**ELEVATION**

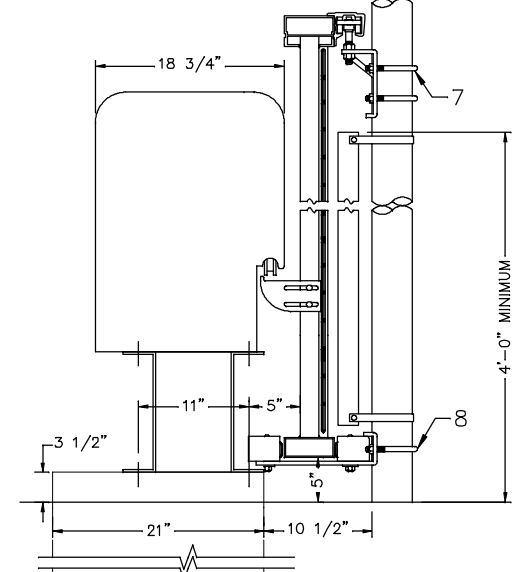
Scale: None

| CRITICAL DIMENSION CHART |                                 |           |      |
|--------------------------|---------------------------------|-----------|------|
| MARK                     | DESCRIPTION                     | FORMULA   | DIM. |
| A                        | CLEAR OPENING                   | A         | -    |
| B                        | COUNTERBALANCE POST SPACING C/C | (A/2)-11" | -    |
| C                        | OVERALL GATE LENGTH             | A x 1.5   | -    |
| D                        | COUNTERBALANCE LENGTH           | A x 0.5   | -    |
| E                        | NOMINAL GATE HEIGHT             | E         | -    |
| F                        | POST HEIGHT (W BARB ARMS)       | E + 1'-6" | -    |
| G                        | FABRIC HEIGHT                   | E - 1'-0" | -    |



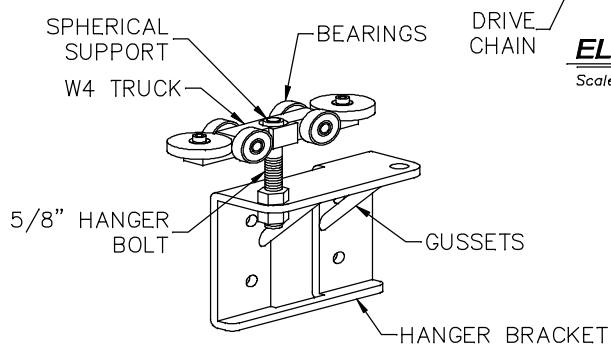
**SECTION**

Scale: None



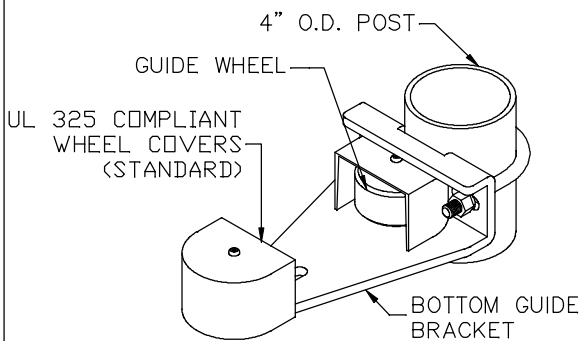
**ENLARGED SECTION**

Scale: None



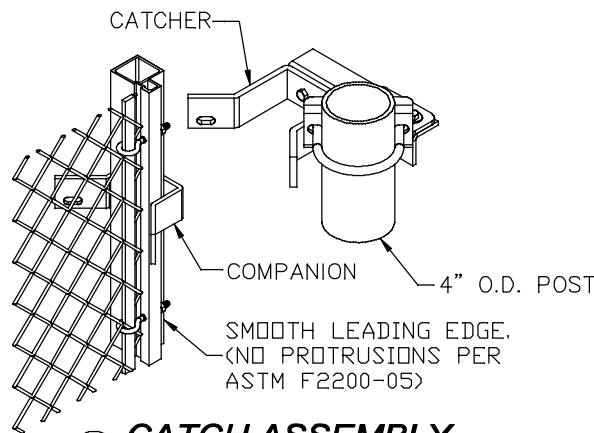
**7 GATE HANGER ASSEMBLY**

Scale: None



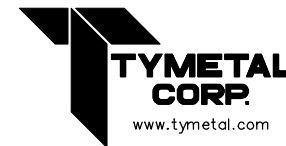
**8 BOTTOM GUIDE**

Scale: None



**9 CATCH ASSEMBLY**

Scale: None



2549 STATE ROUTE 40  
GREENWICH, N.Y. 12834  
PH: (800) 328-4283 - FX: (518) 692-9404

**TYM-1000 SECURITY GATE SYSTEM  
(WITH HEAVY DUTY GATE)**