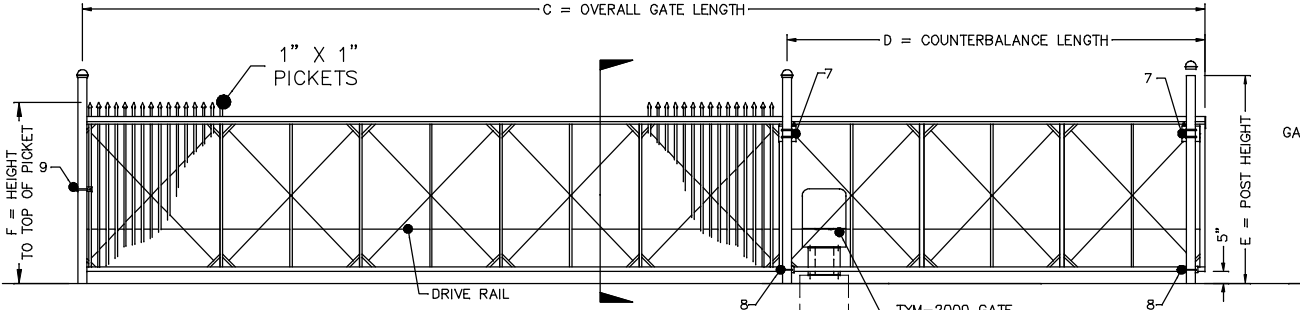


PLAN VIEW

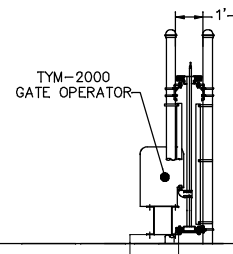
Scale: None



ELEVATION

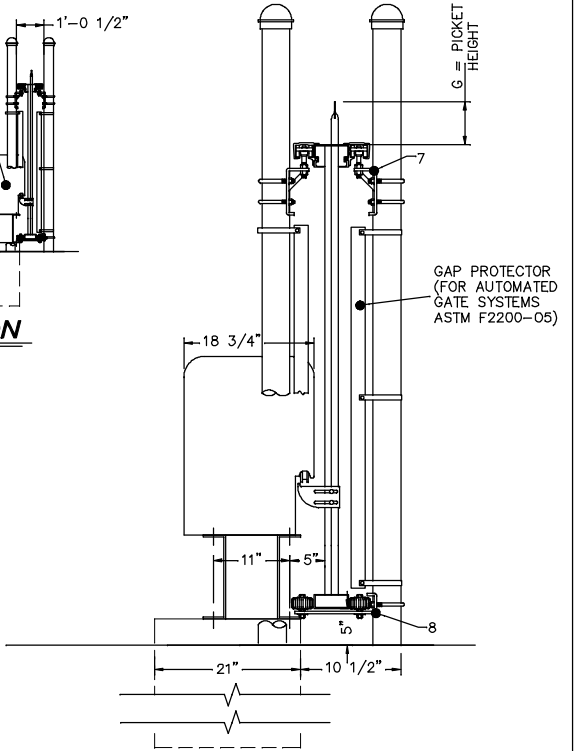
Scale: None

CRITICAL DIMENSION CHART			
MARK	DESCRIPTION	FORMULA	DIM.
A	CLEAR OPENING	A	-
B	COUNTERBALANCE POST SPACING C/C	(A/2)-11"	-
C	OVERALL GATE LENGTH	A x 1.5	-
D	COUNTERBALANCE LENGTH	A x 0.5	-
E	POST HEIGHT	E = F	-
F	HEIGHT TO TOP OF PICKET	F	-
G	PICKET HEIGHT	G	-



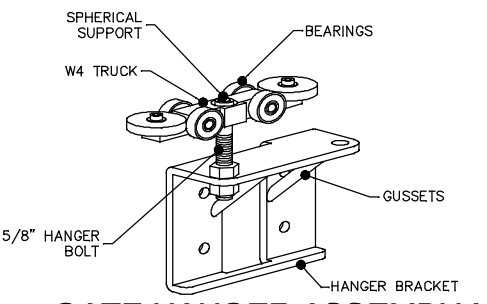
SECTION

Scale: None



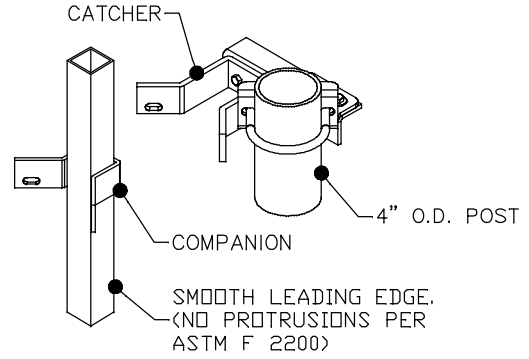
OPERATOR SIDE ELEVATION

Scale: None



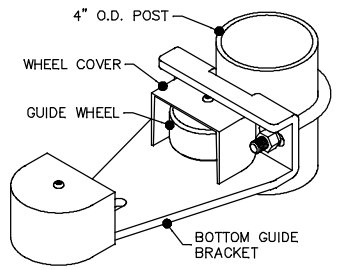
7 GATE HANGER ASSEMBLY

Scale: None



9 CATCH ASSEMBLY

Scale: None



8 BOTTOM GUIDE

Scale: None

NOTES:
 1. FOR COMPLETE INFORMATION ON THE TYM-2000 OPERATOR VISIT THE "GATE OPERATORS" SECTION OF THE WEB SITE.
 2. ALL FITTINGS STANDARDLY PROVIDED FOR 4" O.D. POSTS. OTHER SIZES AVAILABLE UPON REQUEST.
 3. BARB ARMS (FOR BARBED WIRE) OPTIONAL.

2549 STATE ROUTE 40
 GREENWICH, N.Y. 12834
 PH: (800) 328-4283 - FX: (518) 692-9404

www.tymetal.com

TYM-2000 SECURITY GATE SYSTEM
 (WITH ORNAMENTAL STRUCTURAL GATE)