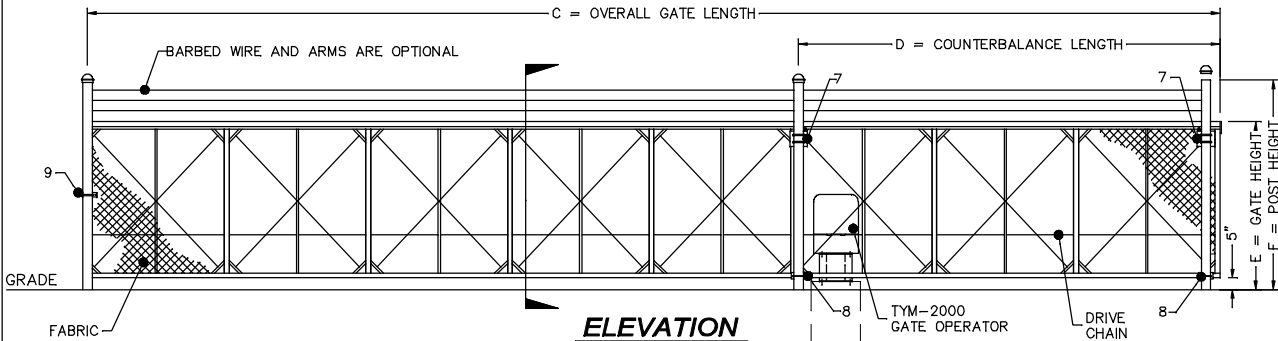


PLAN VIEW

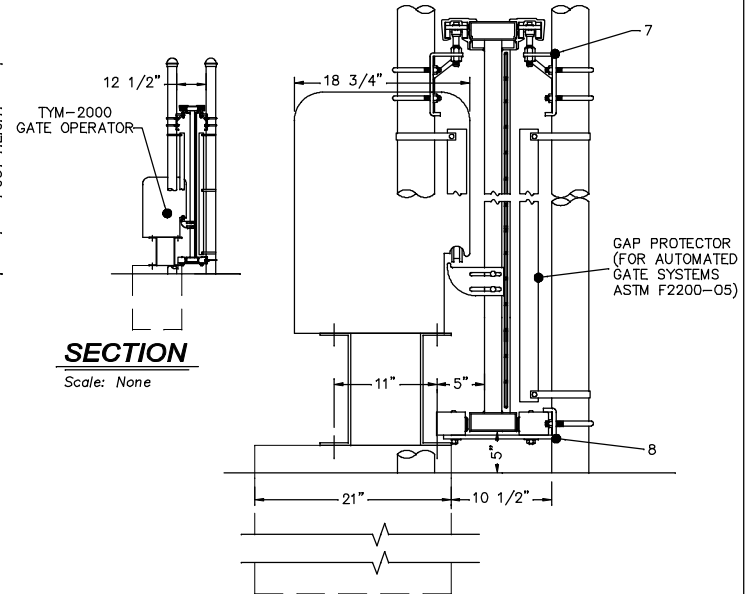
Scale: None



ELEVATION

Scale: None

CRITICAL DIMENSION CHART			
MARK	DESCRIPTION	FORMULA	DIM.
A	CLEAR OPENING	A	-
B	COUNTERBALANCE POST SPACING C/C	(A/2)-11"	-
C	OVERALL GATE LENGTH	A x 1.5	-
D	COUNTERBALANCE LENGTH	A x 0.5	-
E	NOMINAL GATE HEIGHT	E	-
F	POST HEIGHT (W BARB ARMS)	E + 1'-6"	-
G	FABRIC HEIGHT	E - 1'-0"	-

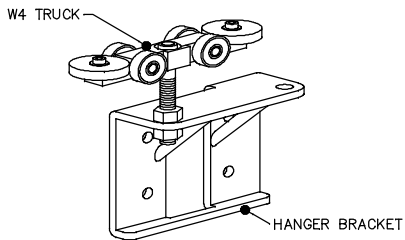


SECTION

Scale: None

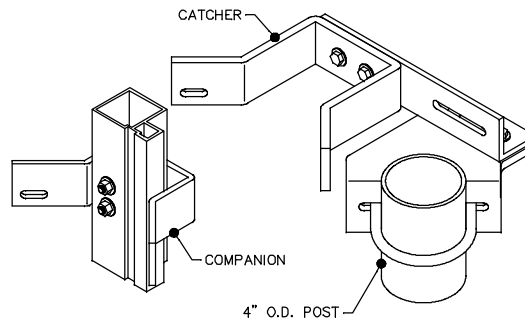
OPERATOR SIDE ELEVATION

Scale: None



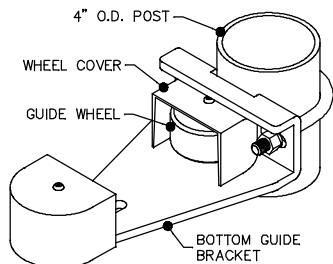
7 GATE HANGER ASSEMBLY

Scale: None



9 CATCH ASSEMBLY

Scale: None



8 BOTTOM GUIDE

Scale: None

NOTES:
 1. FOR COMPLETE INFORMATION ON THE TYM-2000 OPERATOR VISIT THE "GATE OPERATORS" SECTION OF THE WEB SITE.
 2. ALL FITTINGS STANDARDLY PROVIDED FOR 4" O.D. POSTS. OTHER SIZES AVAILABLE UPON REQUEST.
 3. BARB ARMS (FOR BARBED WIRE) OPTIONAL.



TYMETAL CORP.
 www.tymetal.com

2549 STATE ROUTE 40
 GREENWICH, N.Y. 12834
 PH:(800) 328-4283 - FX:(518) 692-9404

**TYM-2000 SECURITY GATE SYSTEM
 (WITH STRUCTURAL GATE)**