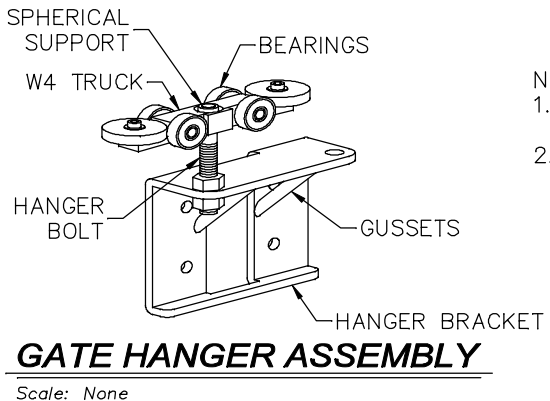
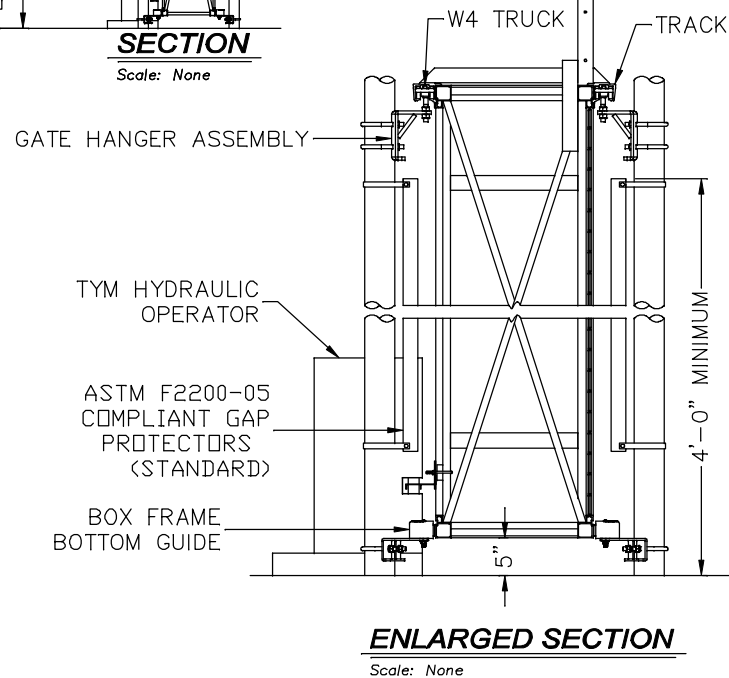
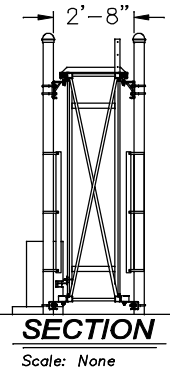
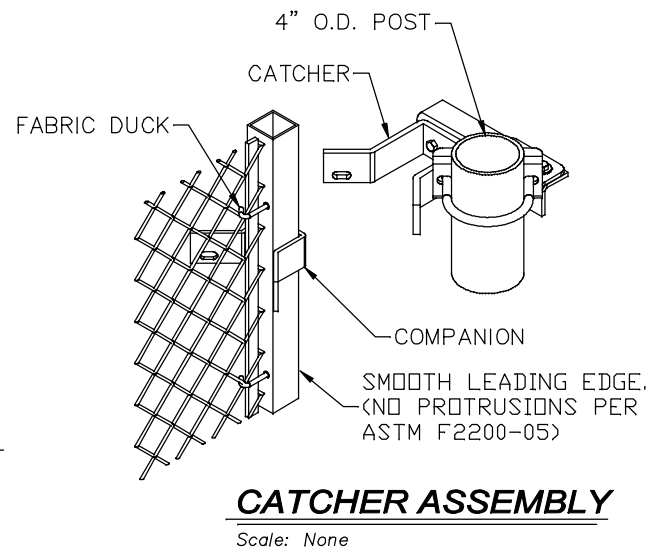
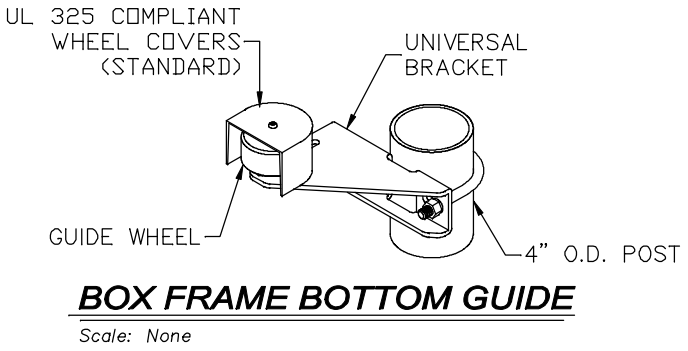


CRITICAL DIMENSION CHART			
MARK	DESCRIPTION	FORMULA	DIM.
A	CLEAR OPENING	A	-
B	COUNTERBALANCE POST SPACING C/C	$(A/2)-11"$	-
C	OVERALL GATE LENGTH	$A \times 1.5$	-
D	COUNTERBALANCE LENGTH	$A \times 0.5$	-
E	NOMINAL GATE HEIGHT	E	-
F	POST HEIGHT (W BARB ARMS)	$E + 1'-6"$	-
G	FABRIC HEIGHT	$E - 1'-0"$	-



- NOTES:
 1. ALL FITTINGS STANDARDLY PROVIDED FOR 4" O.D. POSTS. OTHER SIZES AVAILABLE UPON REQUEST.
 2. BARB ARMS (FOR BARBED WIRE) OPTIONAL.



TYMETAL CORP.
www.tymetal.com

2549 STATE ROUTE 40
GREENWICH, N.Y. 12834
PH: (800) 328-4283 - FX: (518) 692-9404

**TYM-HYD-B SECURITY GATE SYSTEM
(WITH BOX FRAME CANTILEVER GATE)**