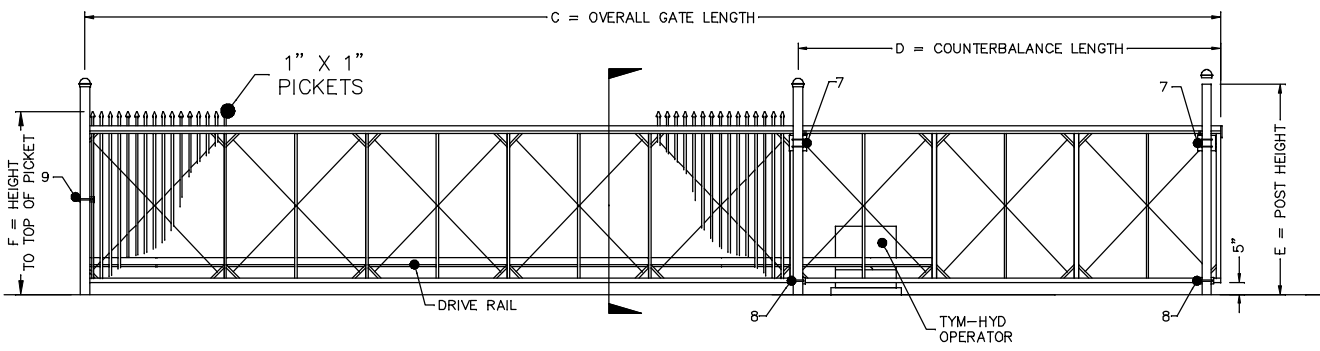


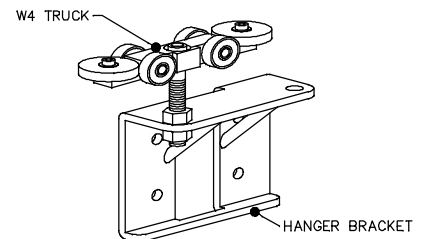
PLAN VIEW

Scale: None



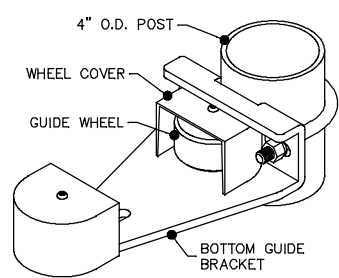
ELEVATION

Scale: None



7 GATE HANGER ASSEMBLY

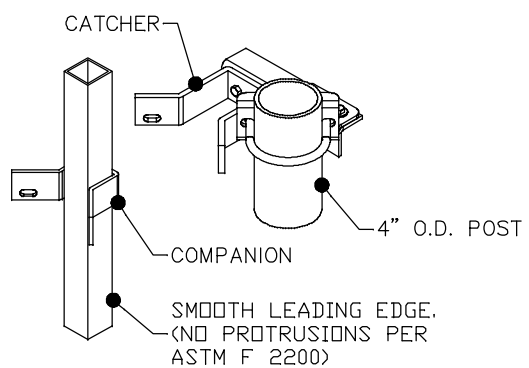
Scale: None



8 BOTTOM GUIDE

Scale: None

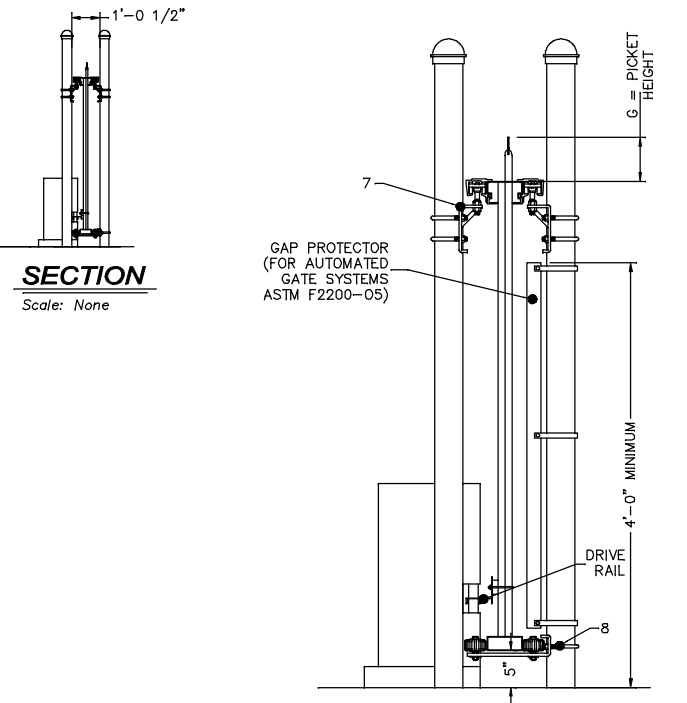
NOTES:
 1. FOR COMPLETE INFORMATION ON THE TYM-HYD OPERATOR VISIT THE "GATE OPERATORS" SECTION OF THE WEB SITE.
 2. ALL FITTINGS STANDARDLY PROVIDED FOR 4" O.D. POSTS. OTHER SIZES AVAILABLE UPON REQUEST.
 3. BARB ARMS (FOR BARBED WIRE) OPTIONAL.



9 CATCH ASSEMBLY

Scale: None

CRITICAL DIMENSION CHART			
MARK	DESCRIPTION	FORMULA	DIM.
A	CLEAR OPENING	A	-
B	COUNTERBALANCE POST SPACING C/C	(A/2)-11"	-
C	OVERALL GATE LENGTH	A x 1.5	-
D	COUNTERBALANCE LENGTH	A x 0.5	-
E	POST HEIGHT	E = F	-
F	HEIGHT TO TOP OF PICKET	F	-
G	PICKET HEIGHT	G	-



SECTION

Scale: None

OPERATOR SIDE ELEVATION

Scale: None

TYMETAL CORP.
 www.tymetal.com

2549 STATE ROUTE 40
 GREENWICH, N.Y. 12834
 PH: (800) 328-4283 - FX: (518) 692-9404

**TYM-HYD SECURITY GATE SYSTEM
 (WITH ORNAMENTAL STRUCTURAL GATE)**