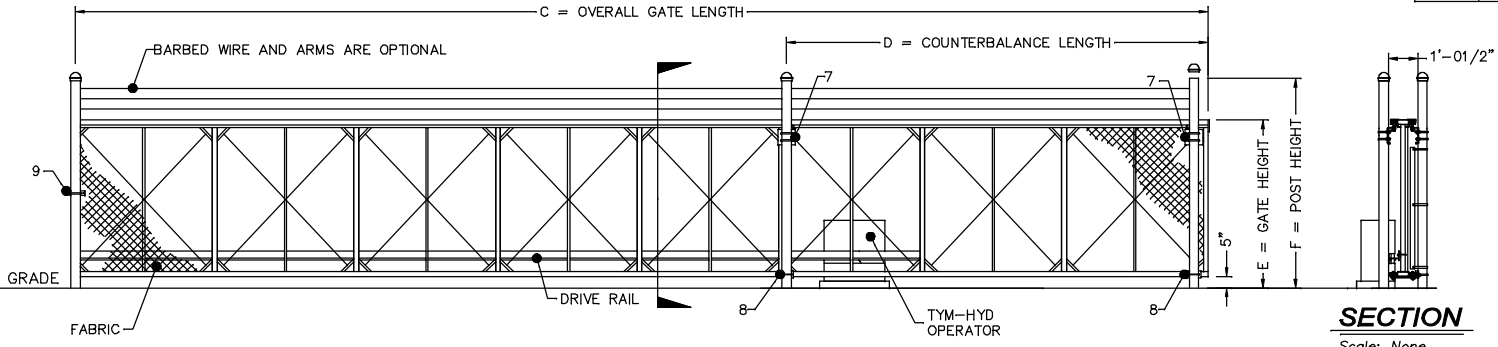


PLAN VIEW

Scale: None



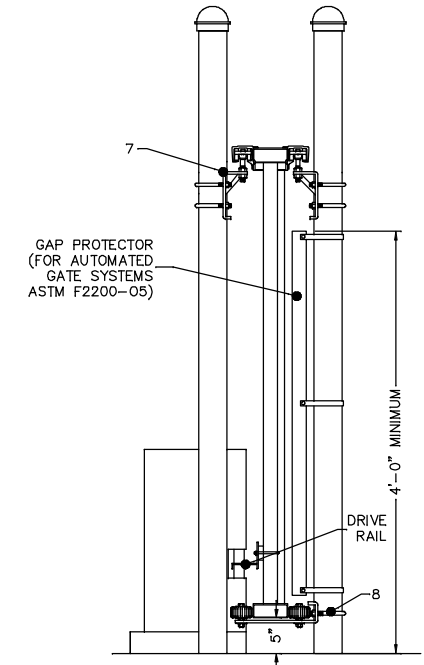
ELEVATION

Scale: None

SECTION

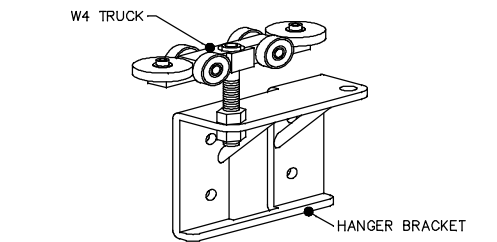
Scale: None

| CRITICAL DIMENSION CHART | | | |
|--------------------------|---------------------------------|----------------|------|
| MARK | DESCRIPTION | FORMULA | DIM. |
| A | CLEAR OPENING | A | - |
| B | COUNTERBALANCE POST SPACING C/C | $(A/2)-11"$ | - |
| C | OVERALL GATE LENGTH | $A \times 1.5$ | - |
| D | COUNTERBALANCE LENGTH | $A \times 0.5$ | - |
| E | NOMINAL GATE HEIGHT | E | - |
| F | POST HEIGHT (W BARB ARMS) | $E + 1'-6"$ | - |
| G | FABRIC HEIGHT | $E - 1'-0"$ | - |



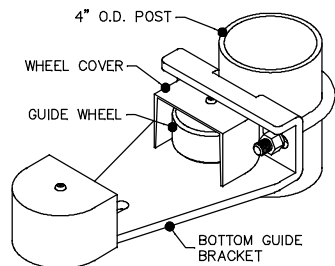
OPERATOR SIDE ELEVATION

Scale: None



7 GATE HANGER ASSEMBLY

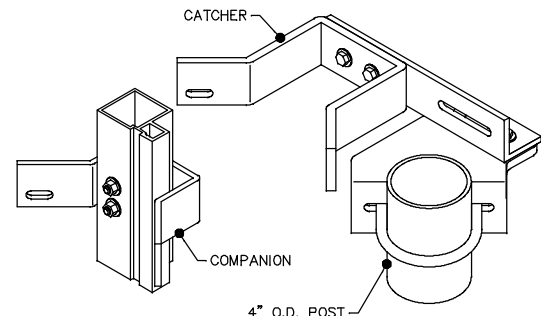
Scale: None



8 BOTTOM GUIDE

Scale: None

NOTES:
 1. FOR COMPLETE INFORMATION ON THE TYM-HYD OPERATOR VISIT THE "GATE OPERATORS" SECTION OF THE WEB SITE.
 2. ALL FITTINGS STANDARDLY PROVIDED FOR 4" O.D. POSTS. OTHER SIZES AVAILABLE UPON REQUEST.
 3. BARB ARMS (FOR BARBED WIRE) OPTIONAL.



9 CATCH ASSEMBLY

Scale: None

2549 STATE ROUTE 40
 GREENWICH, N.Y. 12834
 PH: (800) 328-4283 - FX: (518) 692-9404
www.tymetal.com

TYM-HYD SECURITY GATE SYSTEM (WITH STRUCTURAL GATE)