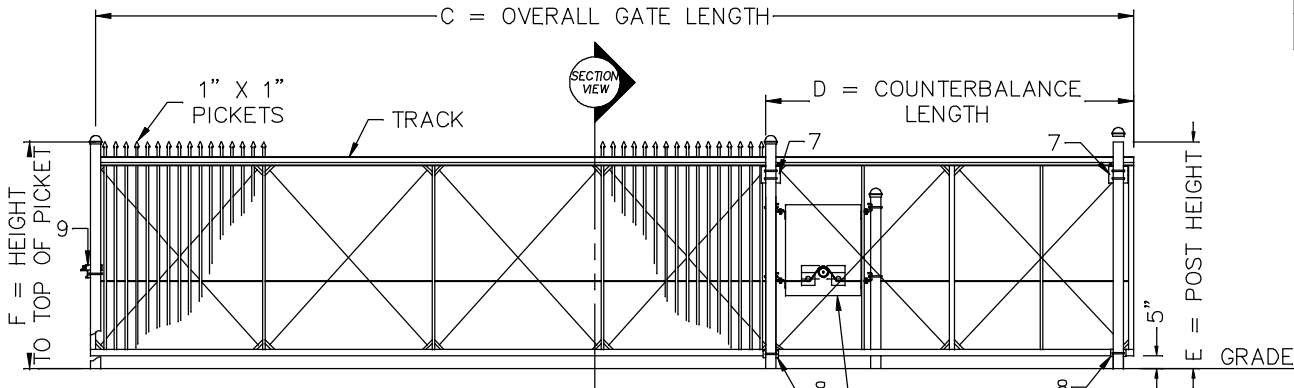


PLAN VIEW

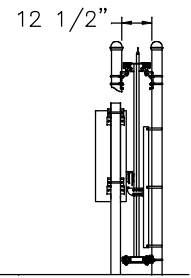
Scale: None



ELEVATION

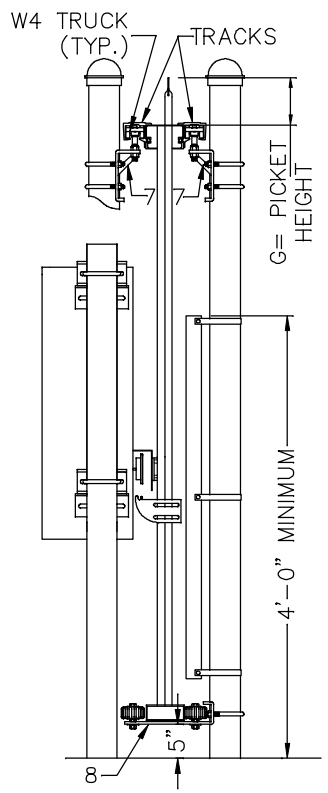
Scale: None

CRITICAL DIMENSION CHART			
MARK	DESCRIPTION	FORMULA	DIM.
A	CLEAR OPENING	A	-
B	COUNTERBALANCE POST SPACING C/C	(A/2)-11"	-
C	OVERALL GATE LENGTH	A x 1.5	-
D	COUNTERBALANCE LENGTH	A x 0.5	-
E	POST HEIGHT	E = F	-
F	HEIGHT TO TOP OF PICKET	F	-
G	PICKET HEIGHT	G	-



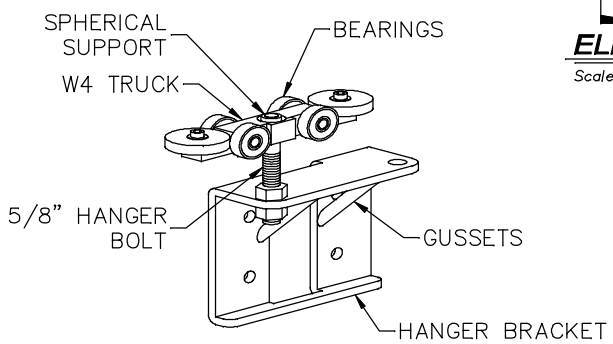
SECTION

Scale: None



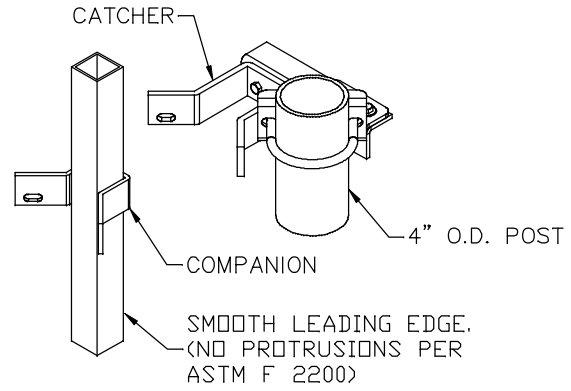
ENLARGED SECTION

Scale: None



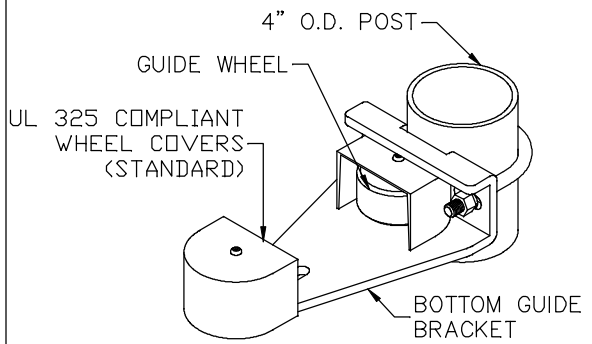
7 GATE HANGER ASSEMBLY

Scale: None



9 CATCH ASSEMBLY

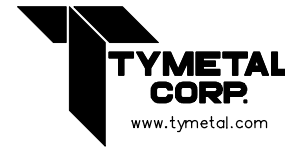
Scale: None



8 BOTTOM GUIDE

Scale: None

- NOTES:
1. ALL FITTINGS STANDARDLY PROVIDED FOR 4" O.D. POSTS. OTHER SIZES AVAILABLE UPON REQUEST.
 2. OTHER PICKET STYLES AVAILABLE UPON REQUEST.



2549 STATE ROUTE 40
GREENWICH, N.Y. 12834
PH: (800) 328-4283 - FX: (518) 692-9404

www.tymetal.com

VS2-1 SECURITY GATE SYSTEM
(WITH ORNAMENTAL STRUCTURAL GATE)