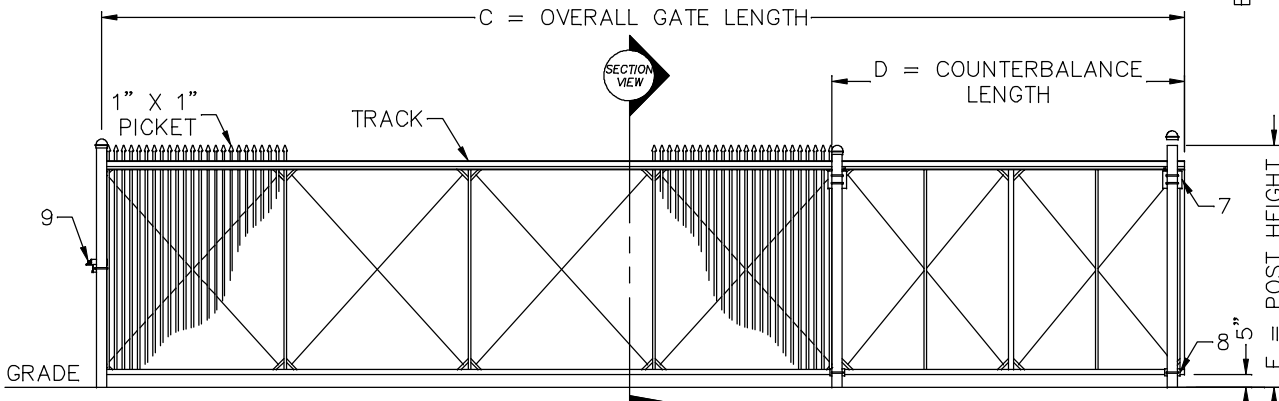


**PLAN VIEW**

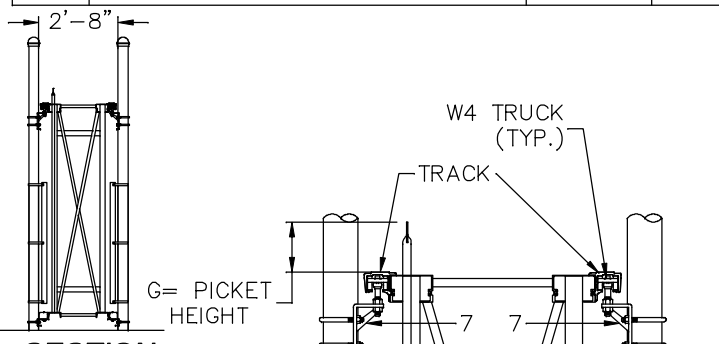
Scale: None



**ELEVATION**

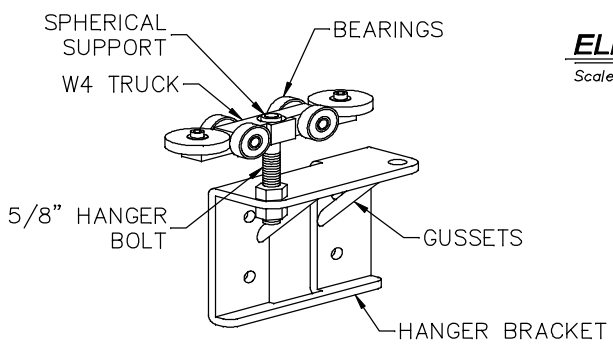
Scale: None

CRITICAL DIMENSION CHART			
MARK	DESCRIPTION	FORMULA	DIM.
A	CLEAR OPENING	A	-
B	COUNTERBALANCE POST SPACING C/C	(A/2)-11"	-
C	OVERALL GATE LENGTH	A x 1.5	-
D	COUNTERBALANCE LENGTH	A x 0.5	-
E	POST HEIGHT	E = F	-
F	HEIGHT TO TOP OF PICKET	F	-
G	PICKET HEIGHT	G	-



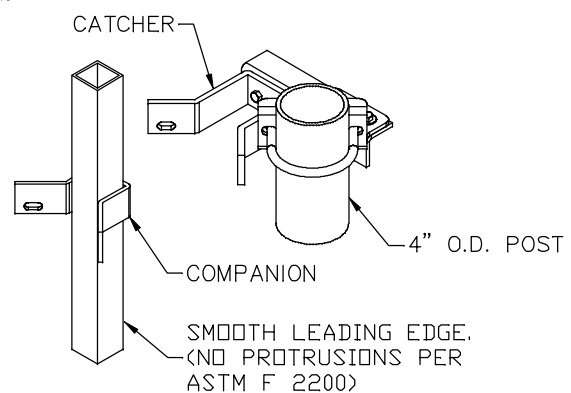
**SECTION**

Scale: None



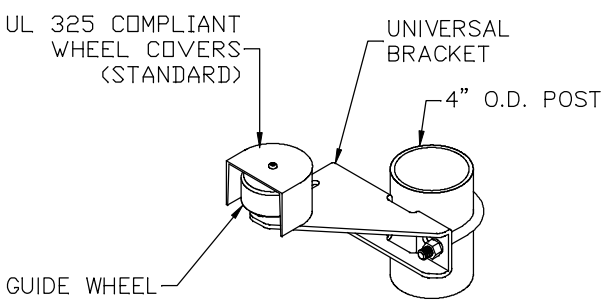
**7 GATE HANGER ASSEMBLY**

Scale: None



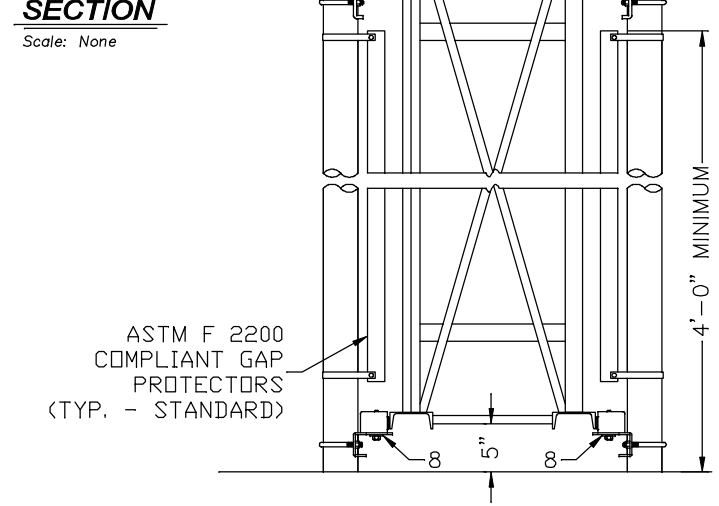
**9 CATCH ASSEMBLY**

Scale: None



**8 BOX FRAME BOTTOM GUIDE**

Scale: None



**ENLARGED SECTION**

Scale: None

- NOTES:
1. ALL FITTINGS STANDARDLY PROVIDED FOR 4" O.D. POSTS. OTHER SIZES AVAILABLE UPON REQUEST.
  2. OTHER PICKET STYLES AVAILABLE UPON REQUEST.

REV. 2 - 10/27/11

**TYMETAL CORP.**  
www.tymetal.com

2549 STATE ROUTE 40  
GREENWICH, N.Y. 12834  
PH: (800) 328-4283 - FX: (518) 692-9404

**BOX FRAME CANTILEVER SLIDE GATE**