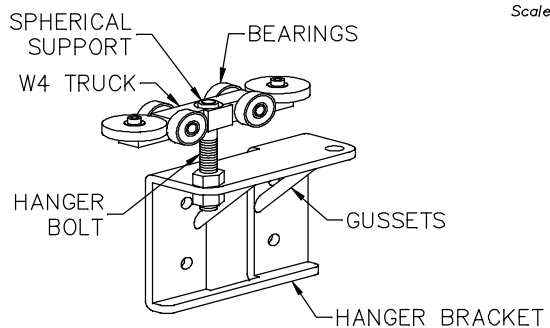
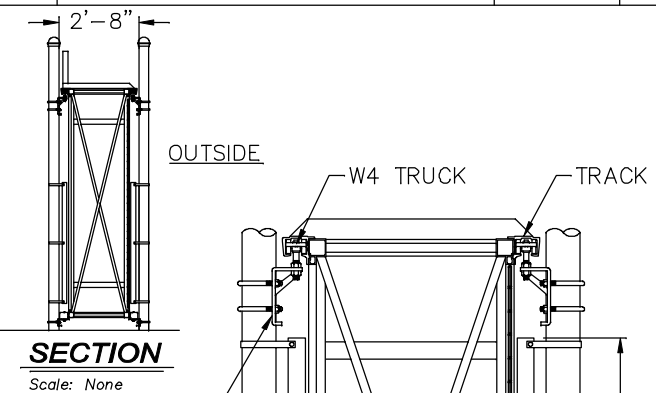
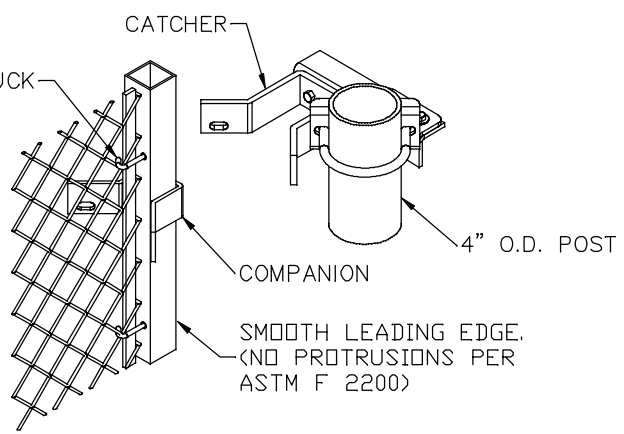
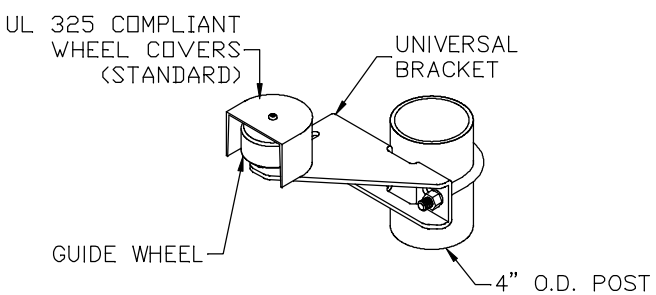


| CRITICAL DIMENSION CHART | | | |
|--------------------------|---------------------------------|-----------|------|
| MARK | DESCRIPTION | FORMULA | DIM. |
| A | CLEAR OPENING | A | - |
| B | COUNTERBALANCE POST SPACING C/C | (A/2)-11" | - |
| C | OVERALL GATE LENGTH | A x 1.5 | - |
| D | COUNTERBALANCE LENGTH | A x 0.5 | - |
| E | NOMINAL GATE HEIGHT | E | - |
| F | POST HEIGHT (W BARB ARMS) | E + 1'-6" | - |
| G | FABRIC HEIGHT | E - 1'-0" | - |



NOTES:
1. ALL FITTINGS STANDARDLY PROVIDED FOR 4" O.D. POSTS. OTHER SIZES AVAILABLE UPON REQUEST.
2. BARB ARMS ARE OPTIONAL; BARB WIRE BY OTHERS



REV. 2 - 10/27/11



2549 STATE ROUTE 40
GREENWICH, N.Y. 12834
PH: (800) 328-4283 - FX: (518) 692-9404

BOX FRAME CANTILEVER SLIDE GATE