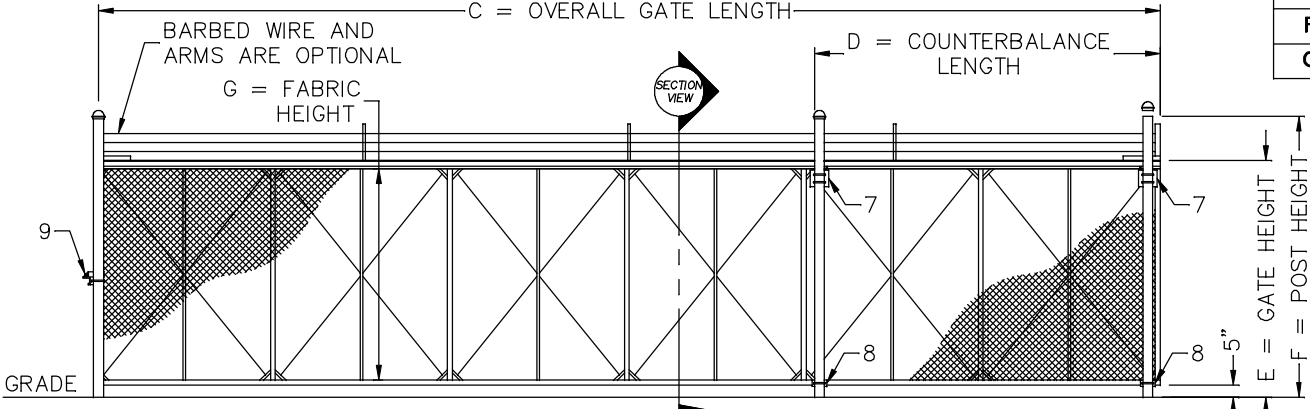


PLAN VIEW

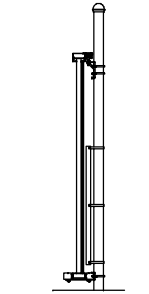
Scale: None



ELEVATION

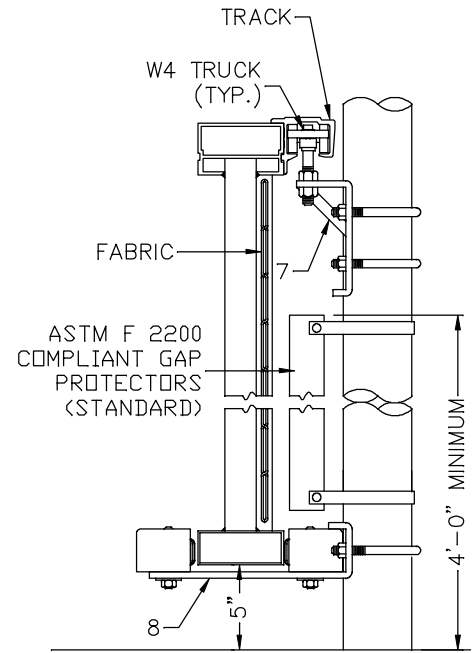
Scale: None

CRITICAL DIMENSION CHART			
MARK	DESCRIPTION	FORMULA	DIM.
A	CLEAR OPENING	A	-
B	COUNTERBALANCE POST SPACING C/C	$(A/2)-11"$	-
C	OVERALL GATE LENGTH	$A \times 1.5$	-
D	COUNTERBALANCE LENGTH	$A \times 0.5$	-
E	NOMINAL GATE HEIGHT	E	-
F	POST HEIGHT (W BARB ARMS)	$E + 1'-6"$	-
G	FABRIC HEIGHT	$E - 1'-0"$	-



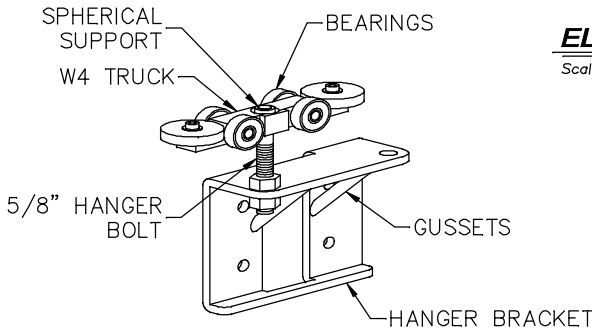
SECTION

Scale: None



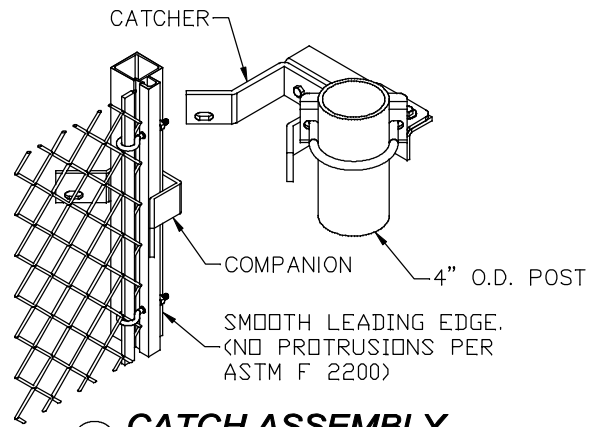
ENLARGED SECTION

Scale: None



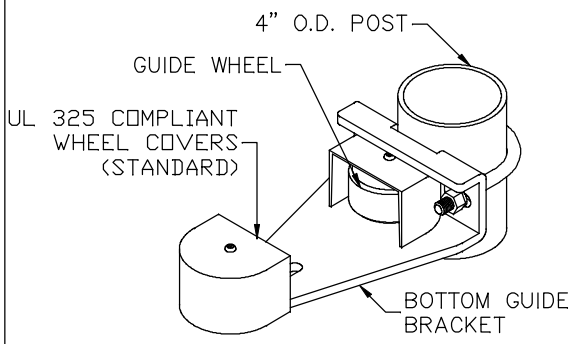
7 GATE HANGER ASSEMBLY

Scale: None



9 CATCH ASSEMBLY

Scale: None



8 BOTTOM GUIDE

Scale: None

- NOTES:
1. ALL FITTINGS STANDARDLY PROVIDED FOR 4" O.D. POSTS. OTHER SIZES AVAILABLE UPON REQUEST.
 2. BARB ARMS (FOR BARBED WIRE) OPTIONAL.

REV. 2 - 10/27/11



2549 STATE ROUTE 40
GREENWICH, N.Y. 12834
PH:(800) 328-4283 - FX:(518) 692-9404

HEAVY DUTY CANTILEVER SLIDE GATE