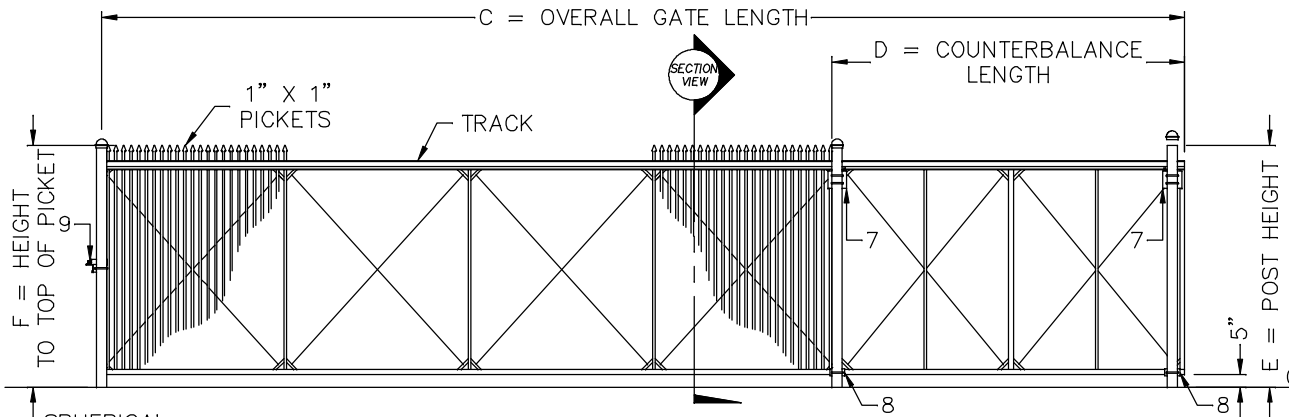


**PLAN VIEW**

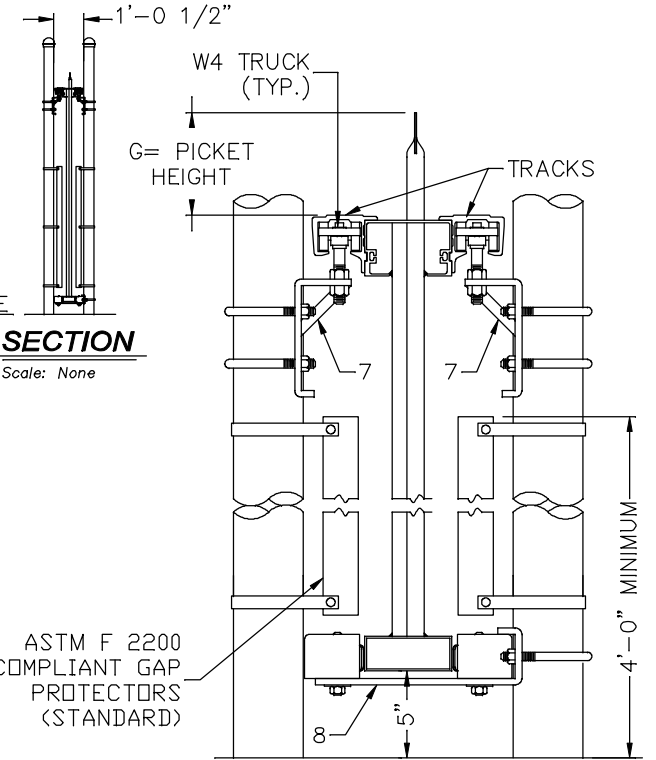
Scale: None

CRITICAL DIMENSION CHART			
MARK	DESCRIPTION	FORMULA	DIM.
A	CLEAR OPENING	A	-
B	COUNTERBALANCE POST SPACING C/C	$(A/2)-11"$	-
C	OVERALL GATE LENGTH	$A \times 1.5$	-
D	COUNTERBALANCE LENGTH	$A \times 0.5$	-
E	POST HEIGHT	$E = F$	-
F	HEIGHT TO TOP OF PICKET	F	-
G	PICKET HEIGHT	G	-



**ELEVATION**

Scale: None

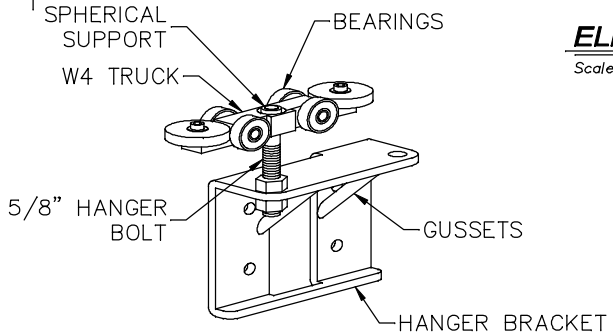


**SECTION**

Scale: None

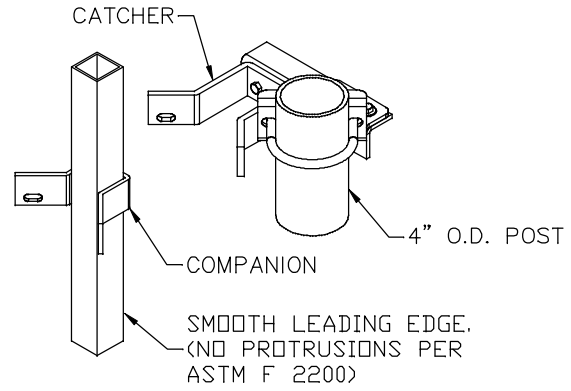
**ENLARGED SECTION**

Scale: None



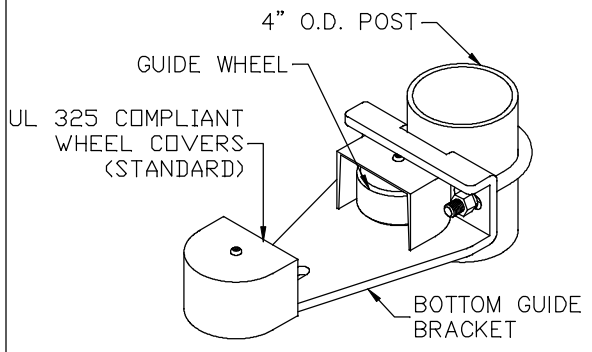
**7 GATE HANGER ASSEMBLY**

Scale: None



**9 CATCH ASSEMBLY**

Scale: None



**8 BOTTOM GUIDE**

Scale: None

- NOTES:
1. ALL FITTINGS STANDARDLY PROVIDED FOR 4" O.D. POSTS. OTHER SIZES AVAILABLE UPON REQUEST.
  2. OTHER PICKET STYLES AVAILABLE UPON REQUEST.

REV. 2 - 10/27/11

2549 STATE ROUTE 40  
GREENWICH, N.Y. 12834  
PH: (800) 328-4283 - FX: (518) 692-9404  
[www.tymetal.com](http://www.tymetal.com)

STRUCTURAL CANTILEVER SLIDE GATE