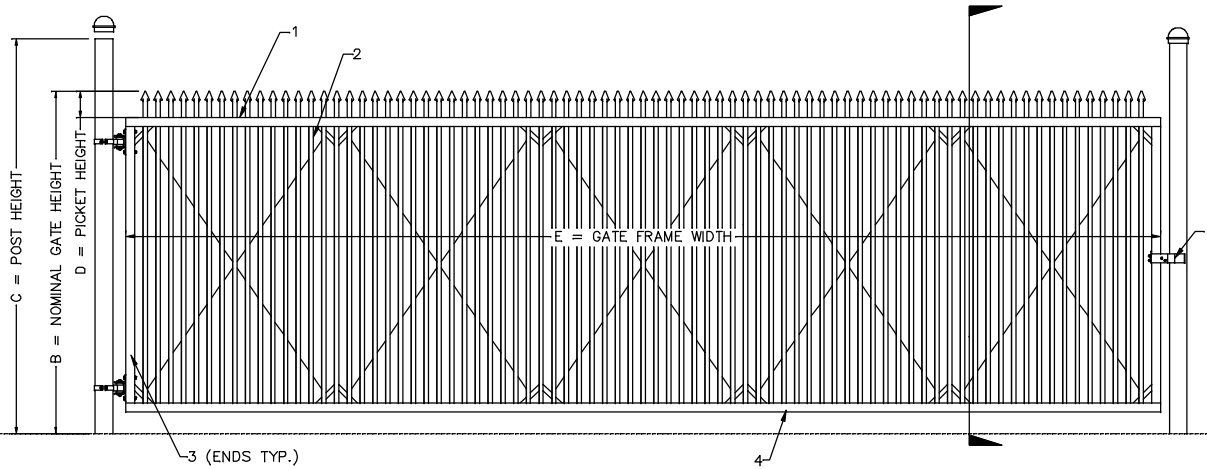
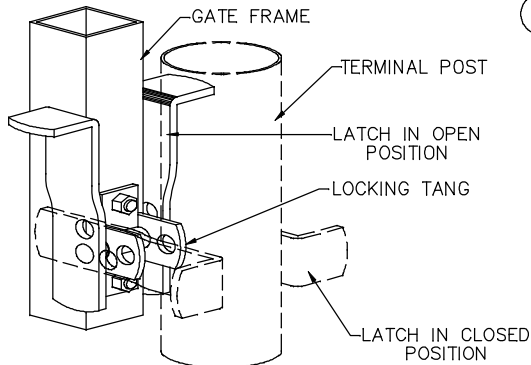


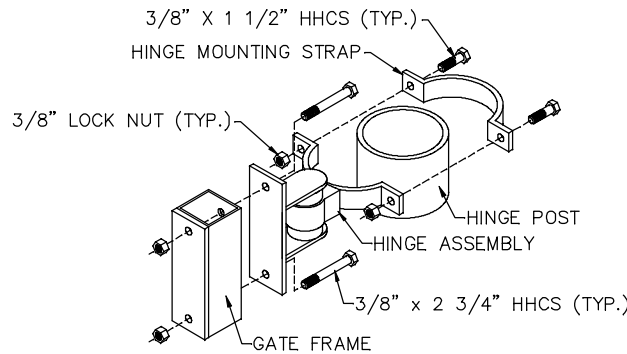
1 PLAN VIEW
Scale: None



2 ELEVATION
Scale: None

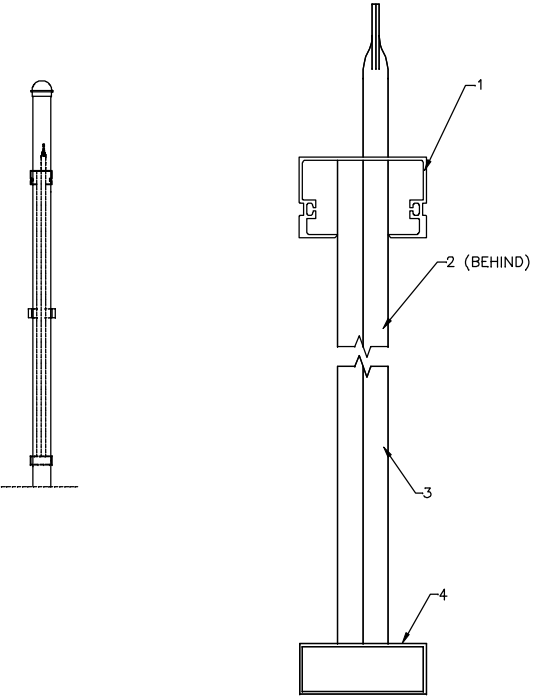


6 LATCH ASSEMBLY
Scale: None



7 HINGE ASSEMBLY
Scale: None

CRITICAL DIMENSION CHART		
A	CLEAR OPENING WIDTH	
B	NOMINAL GATE HEIGHT	
C	POST HEIGHT	
D	PICKET HEIGHT	
E	GATE FRAME WIDTH	VARIES DEPENDING ON HARDWARE



ENLARGED SECTION
Scale: None

- NOTES:
- HANGER POST SIZE WILL VARY DEPENDING ON THE CLEAR OPENING WIDTH
 - APPROPRIATE HARDWARE WILL BE PROVIDED AS REQUIRED.



2549 STATE ROUTE 40
GREENWICH, N.Y. 12834
PH:(800) 328-4283 - FX:(518) 692-9404

ORNAMENTAL SWING GATE HEAVY DUTY		
COMPONENT REFERENCES		
MARK	DESCRIPTION	NOTES:
1	TOP PRIMARY MEMBER	
2	1" x 2" ALUM. TUBE	CENTERED BETWEEN 2x2'S
3	STANDARD PRIMARY	TYP. AT ENDS OF GATE
4	2" x 5" ALUM. TUBE	
5	LATCH ASSEMBLY	1 REQUIRED
6	HINGE ASSEMBLY	1 REQUIRED