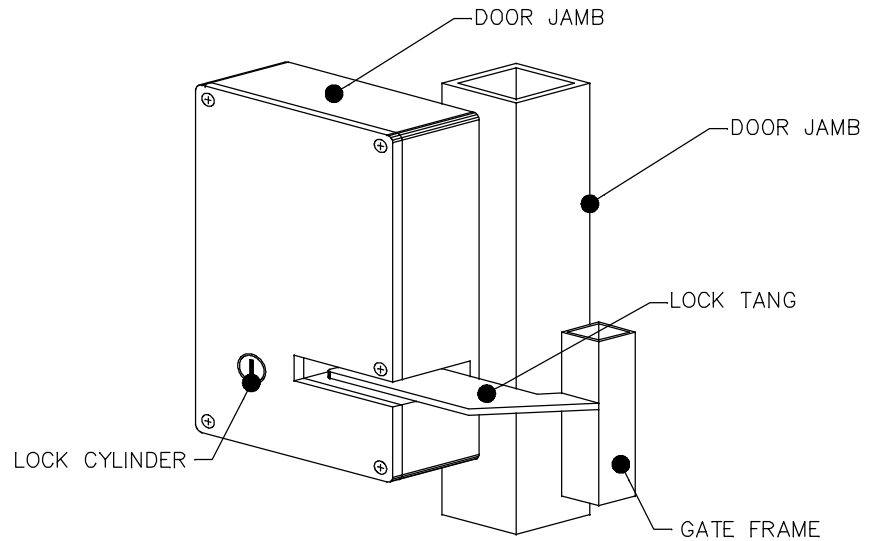


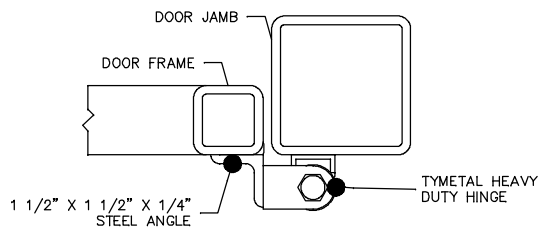
**1 SWING GATE ELEVATION**

Scale: None



**3 ELECTROMECHANICAL LOCK**

Scale: None



**2 HINGE DETAIL**

Scale: None

**NOTES:**

1. ALL FITTINGS STANDARDLY PROVIDED FOR 4" O.D. POSTS. OTHER SIZES AVAILABLE UPON REQUEST.

2. \*CLEAR OPENING SIZES: 3'-0", 3'-6", 4'-0" AND 5'-0". CONTACT MANUFACTURER FOR OTHER SIZES.

**2150 PEDESTRIAN SWING GATE WITH ELECTRO-MECHANICAL LOCK**

**COMPONENTS**

MARK	DESCRIPTION	NOTES:
1	DOOR JAMB (4" X 4" STEEL TUBE)	
2	DOOR FRAME (2" X 2" STEEL TUBE)	
3	C3 X 4.1 CHANNEL	BELOW GRADE
4	3" X 3" X 3/16" STEEL ANGLE	
5	ELECTROMECHANICAL LOCK	OPTIONAL
6	TYMETAL HEAVY DUTY HINGE	2 REQUIRED
7	DOOR POSITION SWITCH	OPTIONAL
8	DOOR CLOSER	OPTIONAL
9	FABRIC	OPTIONAL



**TYMETAL CORP.**  
www.tymetal.com

2549 STATE ROUTE 40  
GREENWICH, N.Y. 12834  
PH: (800) 328-4283 - FX: (518) 692-9404