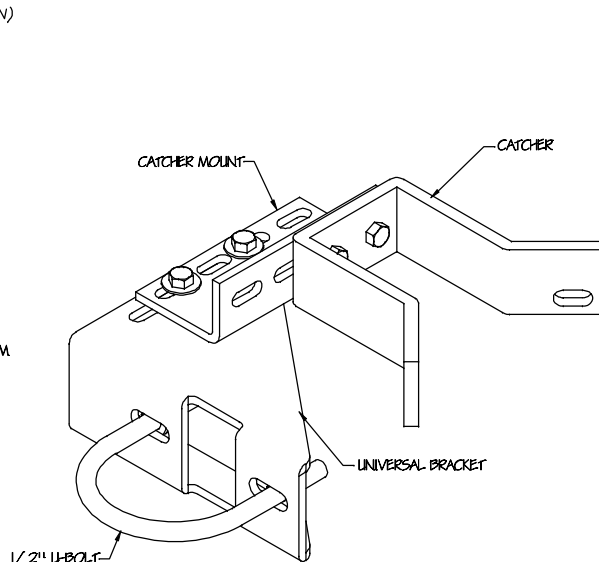
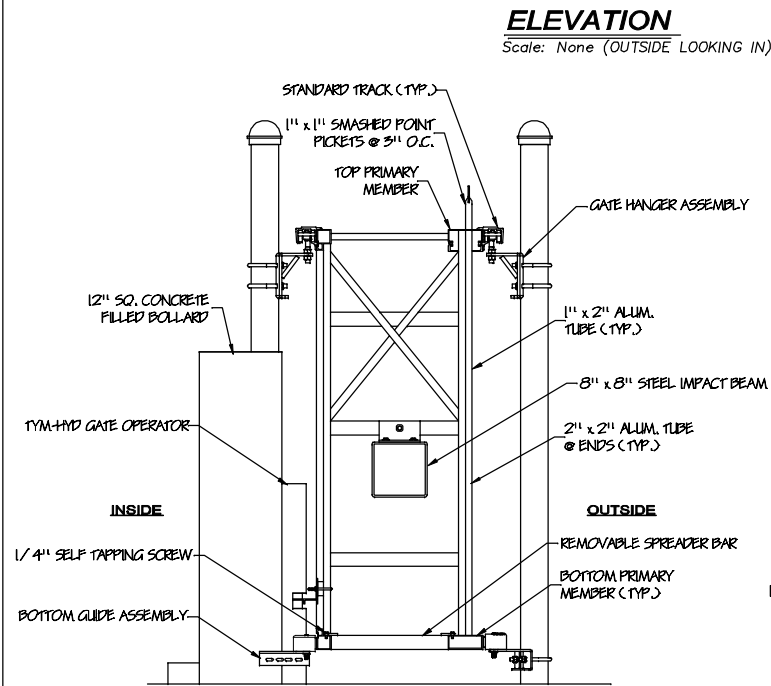
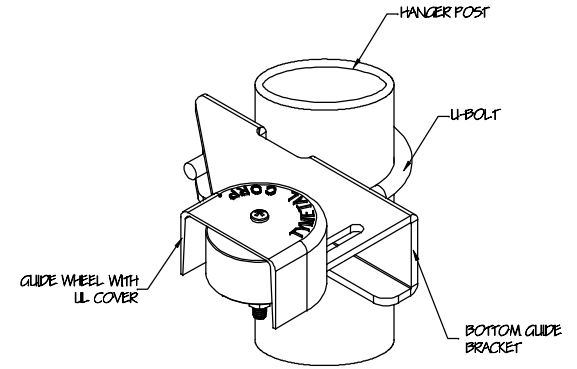
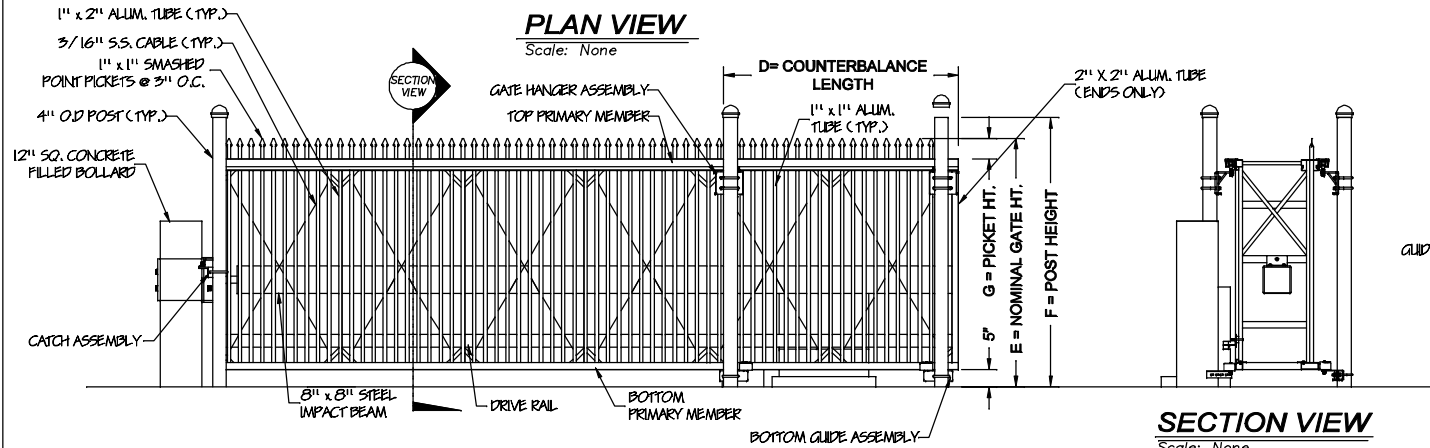


- NOTES:**
1. ALL FITTINGS PROVIDED FOR 4" O.D. POSTS. OTHER SIZES AVAILABLE UPON REQUEST.
 2. ALL REQUIRED CONCRETE SHALL BE SUPPLIED BY OTHERS.
 3. GATE ELEVATION IS VIEWED FROM THE OUTSIDE OF THE SECURE AREA LOOKING IN.



2549 STATE ROUTE 40
GREENWICH, N.Y. 12834
PH: (800) 328-4283 - FX: (518) 692-9404

REINFORCED SLIDE GATE (ORNAMENTAL)
(WITH TYM-HYD GATE OPERATOR)