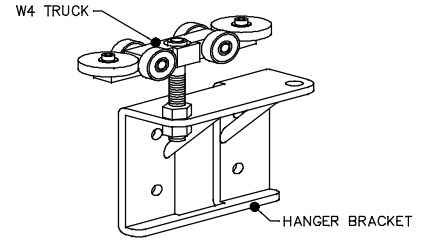
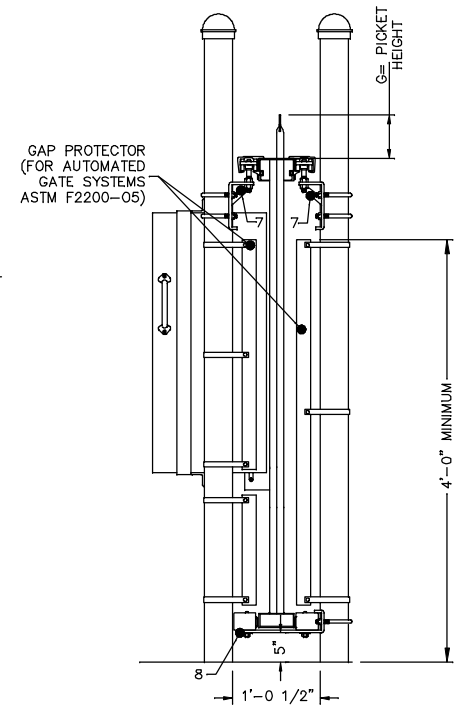
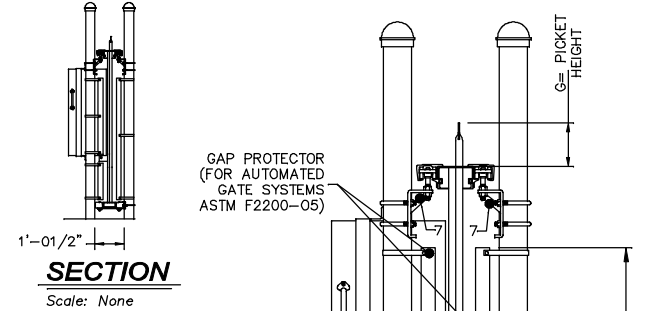
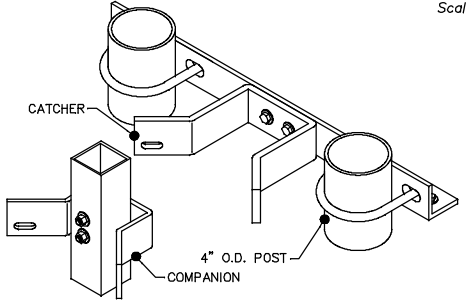


CRITICAL DIMENSION CHART			
MARK	DESCRIPTION	FORMULA	DIM.
A	CLEAR OPENING	A	-
B	COUNTERBALANCE POST SPACING C/C	$(A/2)-11"$	-
C	OVERALL GATE LENGTH	$A \times 1.5$	-
D	COUNTERBALANCE LENGTH	$A \times 0.5$	-
E	POST HEIGHT	$E = F$	-
F	HEIGHT TO TOP OF PICKET	F	-
G	PICKET HEIGHT	G	-



NOTES:  
 1. FOR COMPLETE INFORMATION ON THE TYM-VS OPERATOR VISIT THE "GATE OPERATORS" SECTION OF THE WEB SITE.  
 2. ALL FITTINGS STANDARDLY PROVIDED FOR 4" O.D. POSTS. OTHER SIZES AVAILABLE UPON REQUEST.  
 3. BARB ARMS (FOR BARBED WIRE) OPTIONAL.

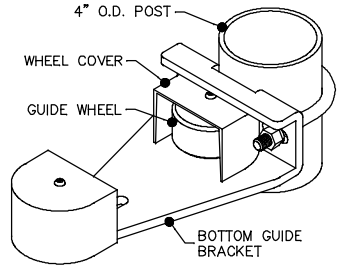


**7 GATE HANGER ASSEMBLY**

Scale: None

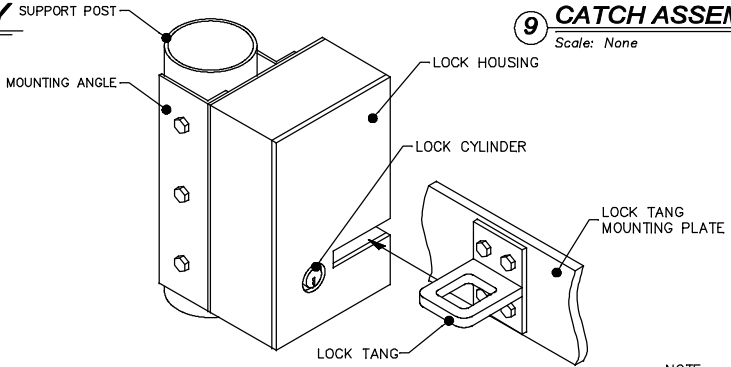
**9 CATCH ASSEMBLY**

Scale: None



**8 BOTTOM GUIDE**

Scale: None



**10 1050D ELECTROMECHANICAL LOCK**

Scale: None

NOTE:  
 1050D LOCK REQUIRES SEPERATE 115V POWER SUPPLY.



2549 STATE ROUTE 40  
 GREENWICH, N.Y. 12834  
 PH:(800) 328-4283 - FX:(518) 692-9404

**VS SECURITY GATE SYSTEM  
 (WITH ORNAMENTAL STRUCTURAL GATE)**