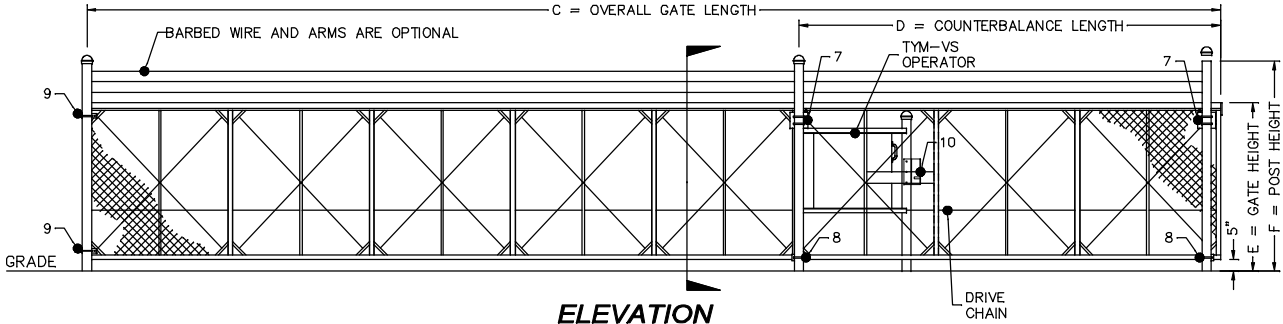


**PLAN VIEW**

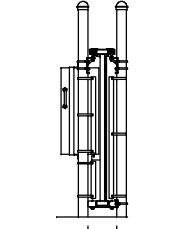
Scale: None



**ELEVATION**

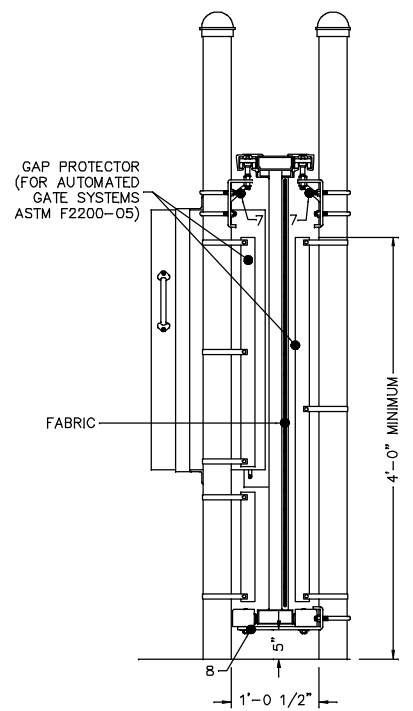
Scale: None

CRITICAL DIMENSION CHART			
MARK	DESCRIPTION	FORMULA	DIM.
A	CLEAR OPENING	A	-
B	COUNTERBALANCE POST SPACING C/C	(A/2)-11"	-
C	OVERALL GATE LENGTH	A x 1.5	-
D	COUNTERBALANCE LENGTH	A x 0.5	-
E	NOMINAL GATE HEIGHT	E	-
F	POST HEIGHT (W BARB ARMS)	E + 1'-6"	-
G	FABRIC HEIGHT	E - 1'-0"	-



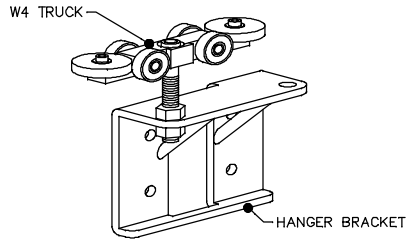
**SECTION**

Scale: None

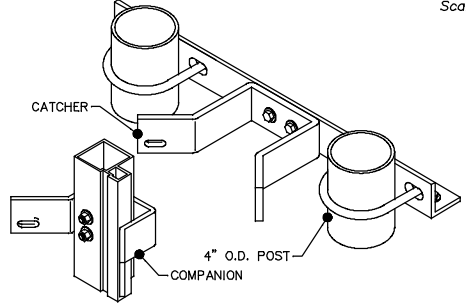


**ENLARGED SECTION**

Scale: None



- NOTES:  
 1. FOR COMPLETE INFORMATION ON THE TYM-VS OPERATOR VISIT THE "GATE OPERATORS" SECTION OF THE WEB SITE.  
 2. ALL FITTINGS STANDARDLY PROVIDED FOR 4" O.D. POSTS. OTHER SIZES AVAILABLE UPON REQUEST.  
 3. BARB ARMS (FOR BARBED WIRE) OPTIONAL.

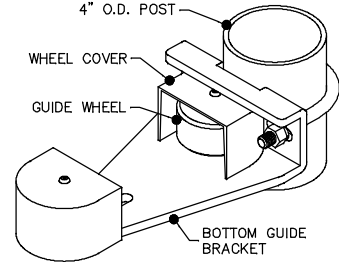


**9 CATCH ASSEMBLY**

Scale: None

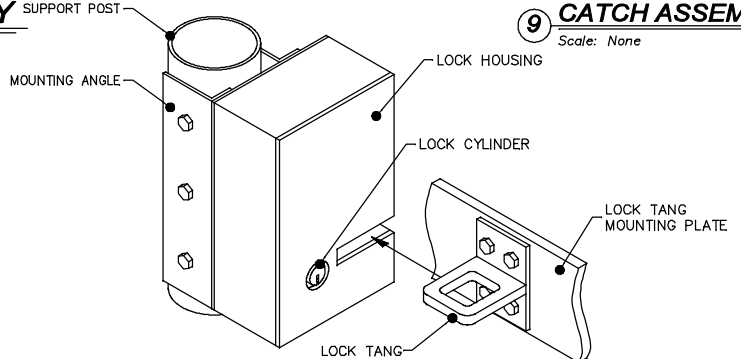
**7 GATE HANGER ASSEMBLY**

Scale: None



**8 BOTTOM GUIDE**

Scale: None



**10 1050D ELECTROMECHANICAL LOCK**

Scale: None

NOTE:  
 1050D LOCK REQUIRES SEPARATE 115V POWER SUPPLY.



2549 STATE ROUTE 40  
 GREENWICH, N.Y. 12834  
 PH: (800) 328-4283 - FX: (518) 692-9404

**VS SECURITY GATE SYSTEM  
 (WITH STRUCTURAL GATE)**