

# TYM - TELESCOPING BOX FRAME ROLLER BY TYMETAL CORP.

The Tymetal Telescoping Box Frame Roller Gate (US Patent # 8,181,689 B2) is a ground track roller gate that includes an internal extension gate which allows smaller gates to close bigger openings. For example, a 60 ft opening could be closed by a gate that has an overall length of less than 37 ft (prior cantilever designs would have required 90 ft)!

## Telescoping Gate Features:

- Closes large openings but stores in a small space (a 50-60% decrease compared to standard cantilever designs).
- Stores in slightly over 1/2 the clear opening length. Parked Length = (C.O. + 13 ft)/2
- Uses a standard gate operator.
- Closes openings up to 83 ft.
- Safety clips are additional high wind protection to help prevent gate tip-over in high wind conditions.
- All gate panels are supported by anti-friction ball or roller bearings resulting in low operating forces, low maintenance, and extended gate service life.
- Available with various infills (i.e. chain link or ornamental pickets).

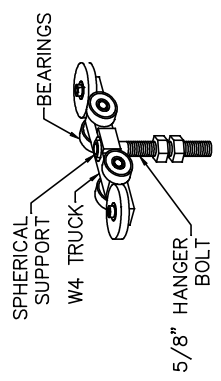
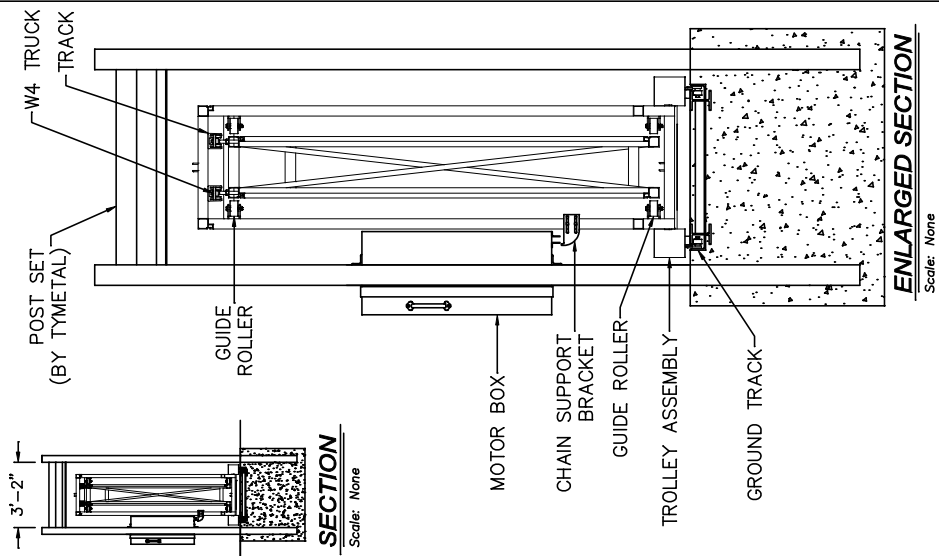
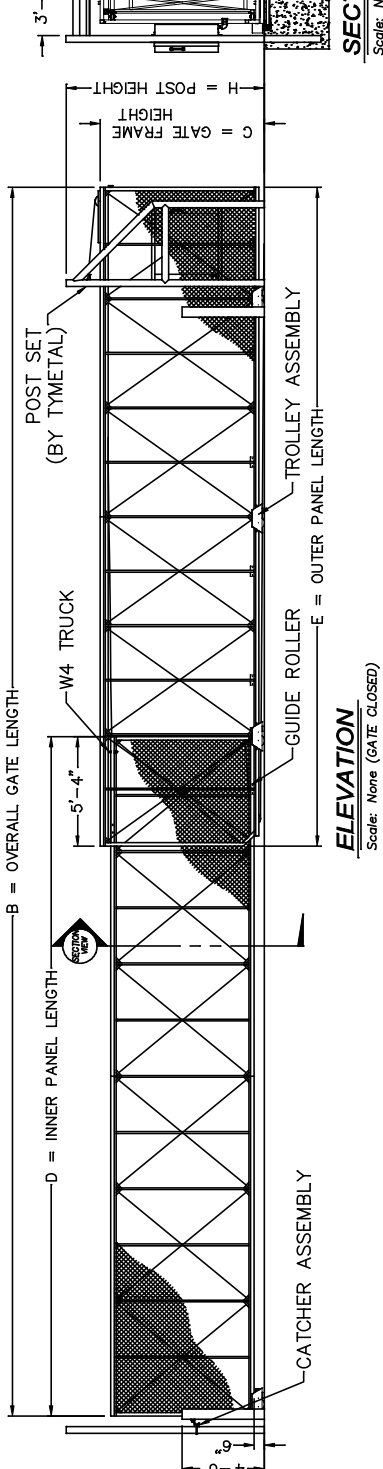
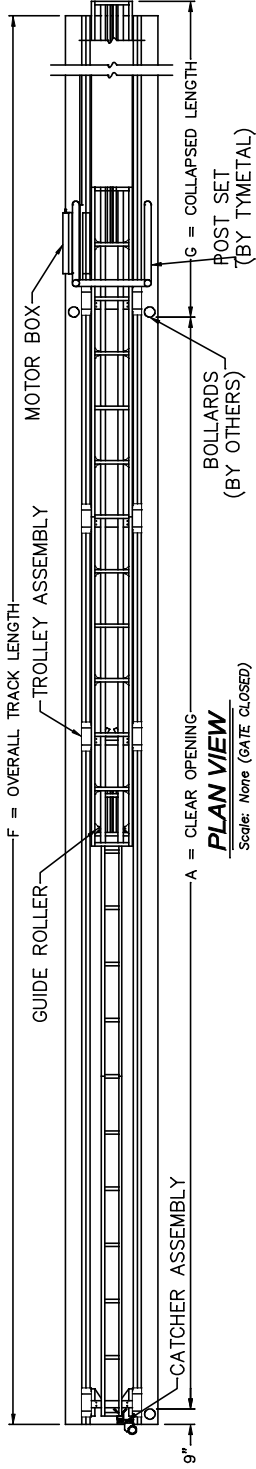


# Tymetal Corp.

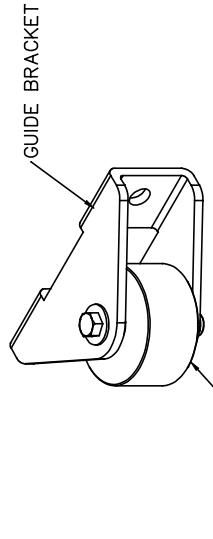
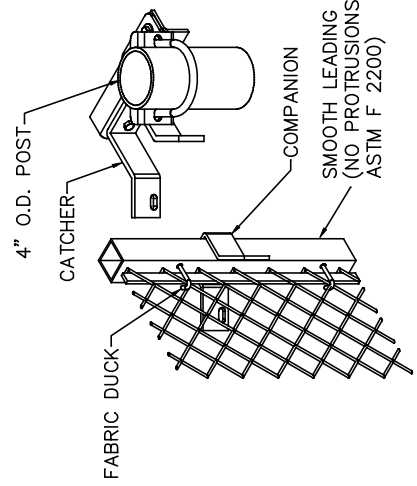
(800) 328-GATE (4283) • [www.tymetal.com](http://www.tymetal.com)  
Greenwich, NY • Pearland, TX

We Close  Openings

CRITICAL DIMENSION CHART			
MARK	DESCRIPTION	FORMULA	DIM.
A	CLEAR OPENING	A	-
B	OVERALL GATE LENGTH	$D + E - 5'-4"$	-
C	GATE FRAME HEIGHT	C	-
D	INNER PANEL LENGTH	$(A + 13) / 2$	-
E	OUTER PANEL LENGTH	$D - 1'$	-
F	OVERALL TRACK LENGTH	$A + G - 4'$	-
G	COLLAPSED LENGTH	D	-
H	POST HEIGHT	$C + 1'-8"$	-



NOTES:  
1. ALL FITTINGS STANDARDLY PROVIDED FOR 4" O.D. POSTS. OTHER SIZES AVAILABLE UPON REQUEST.



2549 STATE ROUTE 40  
GREENWICH, N.Y. 12834  
PH: (800) 325-4283 - FX: (918) 882-9404  
www.tymetal.com