

FORTRESS GATE

VERTICAL LIFT

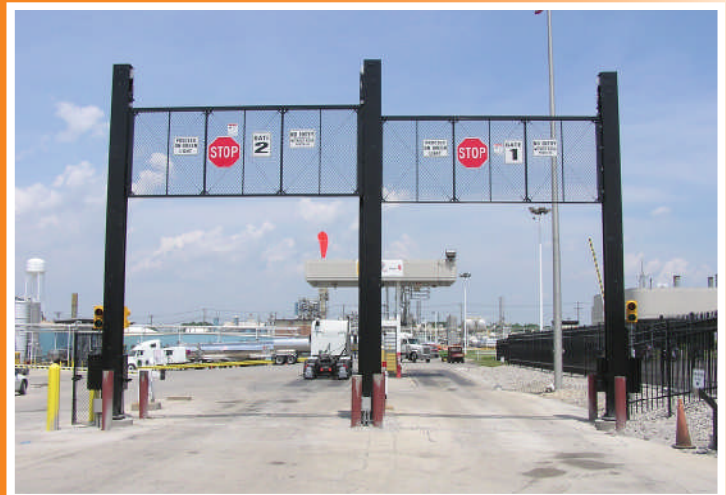
BY TYMETAL CORP.

The Fortress Vertical Lift Gate has been manufactured by Tymetal Corp. for over 25 years and is in constant use throughout North America.

While the Vertical Lift can be used in any setting, it is especially valuable on sites where there is insufficient space outside of the gate opening for a swing or slide gate to retract without hitting an obstacle. The Tymetal Vertical Lift Gate system is designed as a complete system to operate flawlessly: the heavy W12x53 superstructure, a solidly engineered #60 chain drive mechanism, complete with counterweights, engineered footings (including rebar cages and anchor bolts) assure a smooth and precise up-and-down movement. To minimize stress, steel counterweights running inside the vertical support columns are fabricated to balance the weight of the gate, reducing the power demand on the motor. The gate panel hangs on four truck assemblies, each with four sealed and permanently lubricated roller bearings, traveling inside smooth aluminum track. A continuous loop drive system, directly connected to the counterweight in each support column, assures precision operation.

The Vertical Lift Gate is available in a wide range of openings. Ideal for any setting with space constraints, it is also suited for high security applications like detention facilities and heavy use sites such as airports, ports, transportation terminals and delivery docks.

If you have a space problem, ask about the Fortress Vertical Lift Gate. It's the perfect solution.

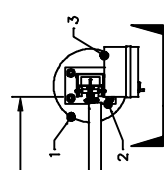


Tymetal Corp.

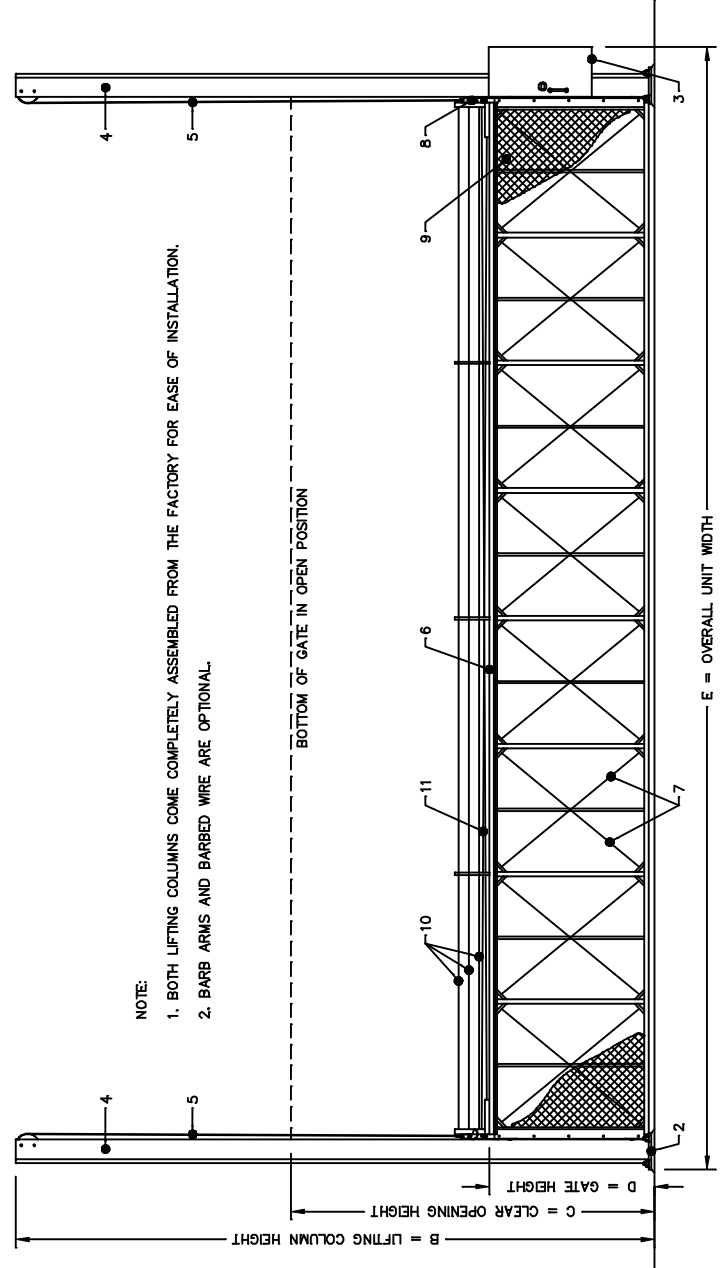
(800) 328-GATE (4283) • www.tymetal.com
Greenwich, NY • Pearland, TX



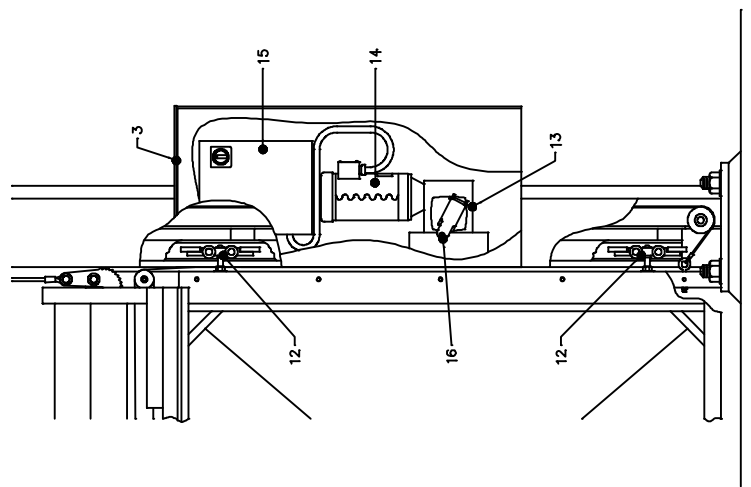
CRITICAL DIMENSION CHART			
MARK	DESCRIPTION	FORMULA	DIMENSION
A	CLEAR OPENING	A	-
B	LIFTING COLUMN HEIGHT	$C + D + 4'-0"$	-
C	CLEAR OPENING HEIGHT	C	-
D	NOMINAL GATE HEIGHT	D	-
E	OVERALL UNIT WIDTH	$A + 2'-11"$	-



PLAN VIEW
Scale: None



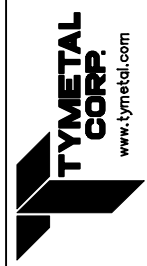
ELEVATION
Scale: None



DRIVE ASSEMBLY
Scale: None

VERTICAL LIFT GATE

COMPONENT REFERENCES					
MARK	DESCRIPTION	NOTES	MARK	DESCRIPTION	NOTES
1	CONCRETE COLUMN FOOTING	PRE-ENGINEERED BY TYMETAL	9	IN FILL MATERIAL	AS REQUIRED BY OWNER
2	LIFTING COLUMN BASE PLATE		10	BARBED WIRE	SEE NOTE #2
3	MOTOR BOX		11	ANTI-RACKING CABLES	2 REQUIRED
4	W12 x 63 LIFTING COLUMN	SEE NOTE #1	12	W4 TRUCK ASSEMBLY	4 REQUIRED
5	PRIMARY LIFTING CABLE	TYP. AT ENDS OF GATE FRAME	13	GEAR BOX	
6	TOP PRIMARY MEMBER		14	MOTOR	
7	3/16" S.S. CABLE		15	CONTROLLER	
8	SAFETY CAM		16	CRANK HANDLE	FOR MANUAL OPERATION



2549 STATE ROUTE 40
GREENWICH, N.Y. 12834
PH: (800) 328-4283 - FX: (518) 692-9404
www.tymetal.com

VERTICAL LIFT GATE