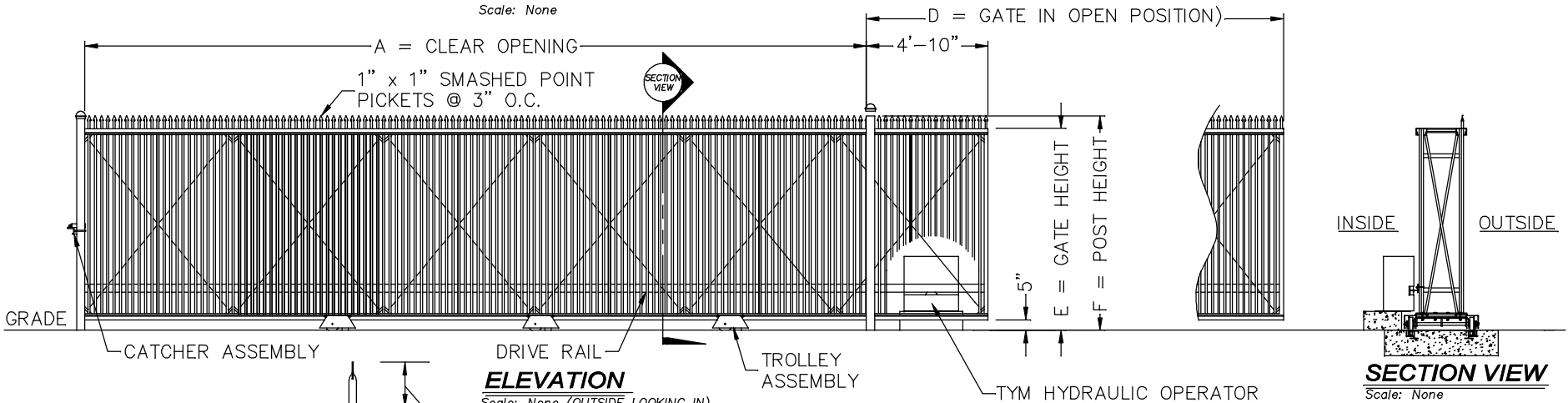


PLAN VIEW

Scale: None

CRITICAL DIMENSION CHART		
A	CLEAR OPENING	A
B	EMBEDMENT LENGTH	(2 x A) - 13'-0"
C	PANEL LENGTH	VARIES - SEE NOTE #2
D	OVERALL GATE LENGTH	A + 5'-0"
E	GATE HEIGHT	E
F	POST HEIGHT	E + G
G	PICKET HEIGHT	G

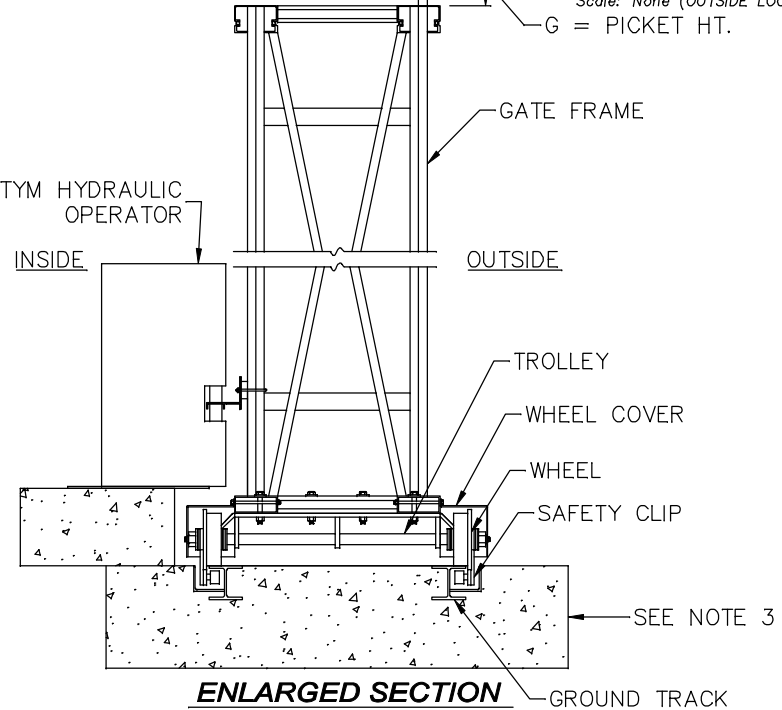


ELEVATION

Scale: None (OUTSIDE LOOKING IN)

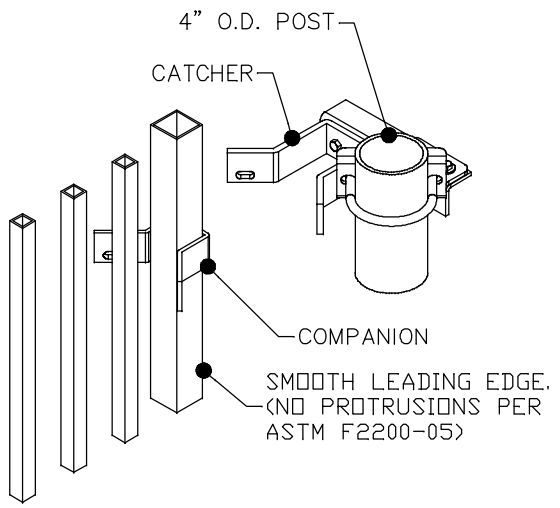
SECTION VIEW

Scale: None



ENLARGED SECTION

Scale: None



CATCHER ASSEMBLY

Scale: None

- NOTE:
1. EMBEDDED W4 X 13 I-BEAM TRACK SYSTEM PROVIDED BY OTHERS UNLESS OTHERWISE NOTED.
 2. THE TOTAL NUMBER OF PANELS REQUIRED WILL VARY DEPENDING ON THE OVERALL GATE LENGTH AND WILL BE DETERMINED AS FOLLOWS: DIVIDE THE OVERALL GATE LENGTH BY 48 AND ROUND UP TO THE NEAREST WHOLE NUMBER.
 3. CONCRETE FOOTING SHALL BE SIZED AS REQUIRED BY LOCAL ENGINEER IN ACCORDANCE WITH ALL JOB SPECIFICATIONS.



2549 STATE ROUTE 40
GREENWICH, N.Y. 12834
PH: (800) 328-4283 - FX: (518) 692-9404