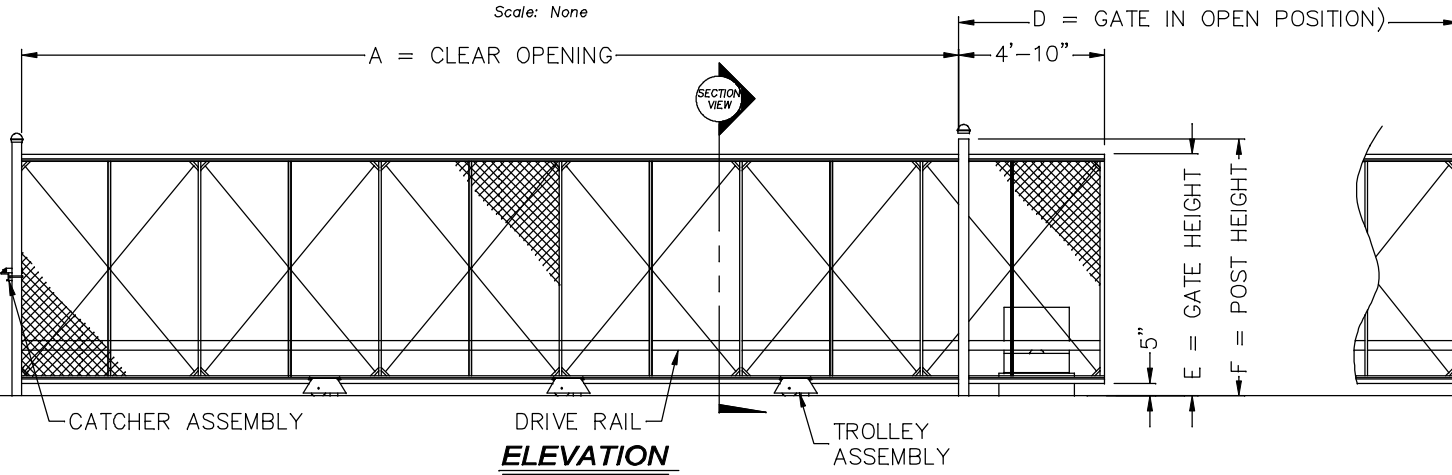


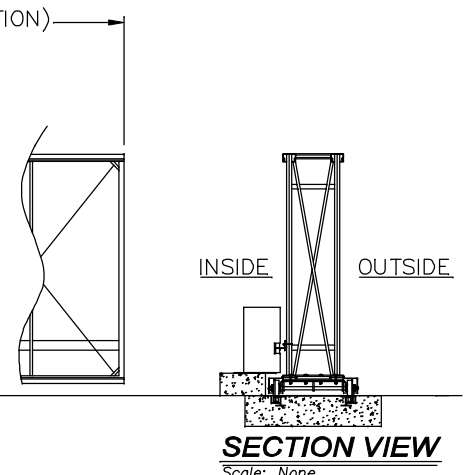
**PLAN VIEW**

Scale: None



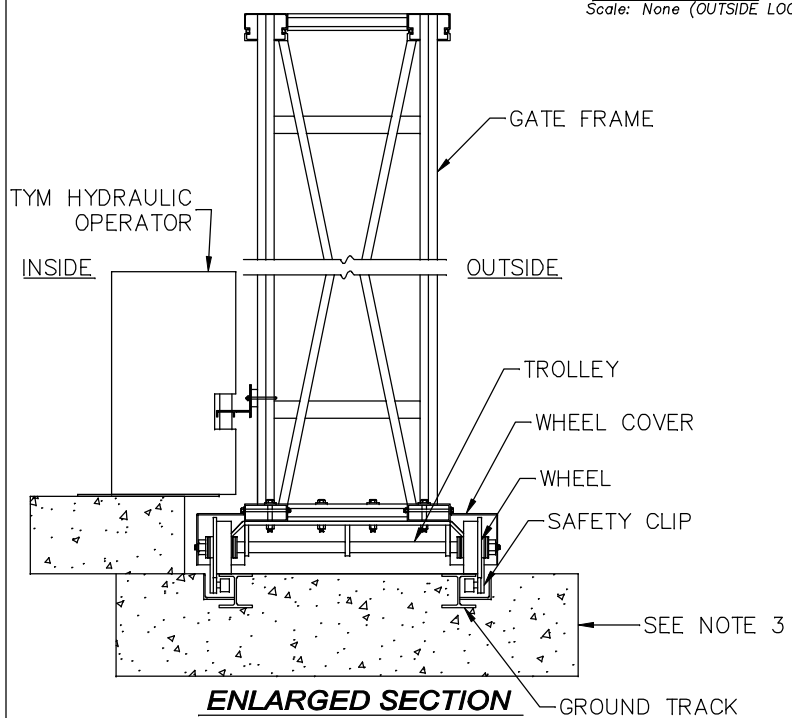
**ELEVATION**

Scale: None (OUTSIDE LOOKING IN)



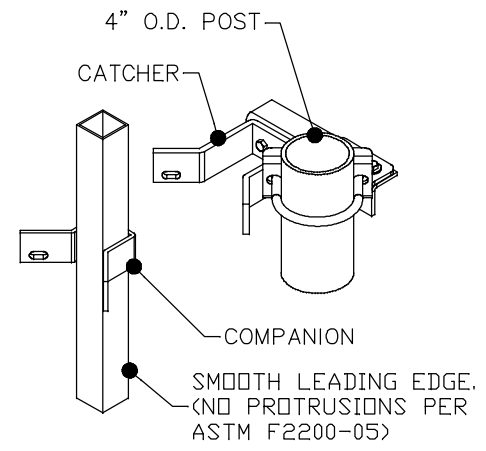
**SECTION VIEW**

Scale: None



**ENLARGED SECTION**

Scale: None



**CATCHER ASSEMBLY**

Scale: None

CRITICAL DIMENSION CHART		
A	CLEAR OPENING	A
B	EMBEDMENT LENGTH	(2 x A) - 13'-0"
C	PANEL LENGTH	VARIABLES - SEE NOTE #2
D	OVERALL GATE LENGTH	A + 5'-0"
E	GATE HEIGHT	E
F	POST HEIGHT	E + G
G	FABRIC HEIGHT	G

- NOTE:
1. EMBEDDED W4 X 13 I-BEAM TRACK SYSTEM PROVIDED BY OTHERS UNLESS OTHERWISE NOTED.
  2. THE TOTAL NUMBER OF PANELS REQUIRED WILL VARY DEPENDING ON THE OVERALL GATE LENGTH AND WILL BE DETERMINED AS FOLLOWS: DIVIDE THE OVERALL GATE LENGTH BY 48 AND ROUND UP TO THE NEAREST WHOLE NUMBER.
  3. CONCRETE FOOTING SHALL BE SIZED AS REQUIRED BY LOCAL ENGINEER IN ACCORDANCE WITH ALL JOB SPECIFICATIONS.
  4. BARB ARMS ARE OPTIONAL.



2549 STATE ROUTE 40  
GREENWICH, N.Y. 12834  
PH: (800) 328-4283 - FX: (518) 692-9404