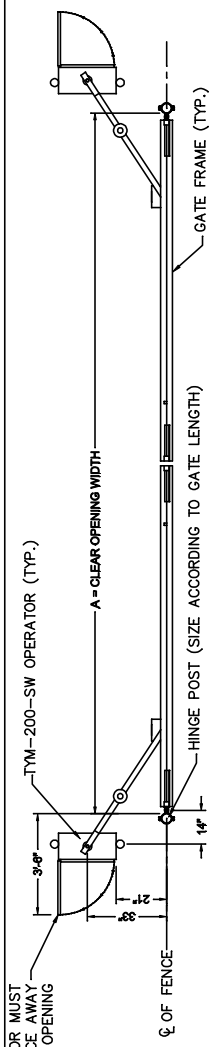
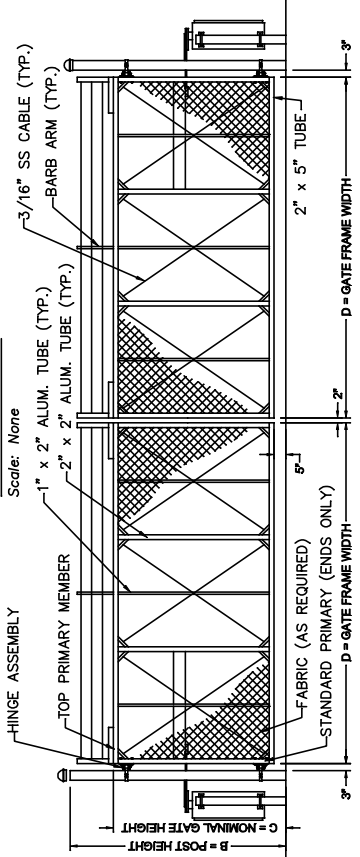


DOOR MUST FACE AWAY FROM OPENING



PLAN VIEW

Scale: None



ELEVATION

Scale: None



ELEVATION

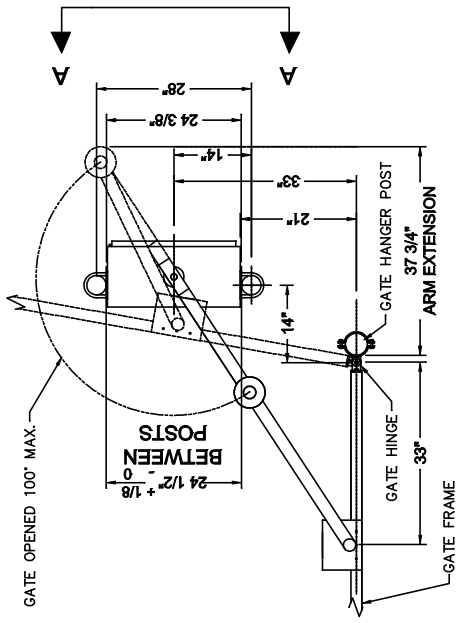
Scale: None



CRITICAL DIMENSION CHART

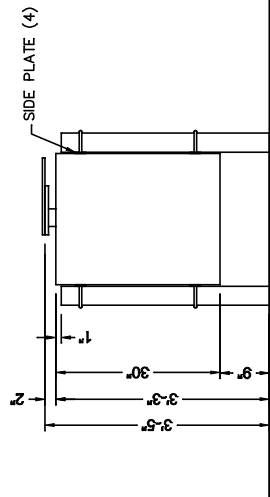
MARK	DESCRIPTION	FORMULA	DIM.
A	CLEAR OPENING	UP TO 48"	*
B	POST HEIGHT	C + 1'-6"	-
C	NOMINAL GATE HEIGHT	UP TO 8'	*
D	GATE FRAME WIDTH	(A/2) - 4"	-

- NOTES:
1. FOR COMPLETE INFORMATION ON THE TYM-200-SW OPERATOR VISIT THE "GATE OPERATORS" SECTION OF THE WEB SITE.
 2. ALL FITTINGS STANDARDLY PROVIDED FOR 4" O.D. POSTS. OTHER SIZES AVAILABLE UPON REQUEST.
 3. GATE ELEVATION IS VIEWED FROM THE OUTSIDE OF THE SECURE AREA LOOKING IN.
 4. BARB ARMS ARE OPTIONAL.



PLAN VIEW

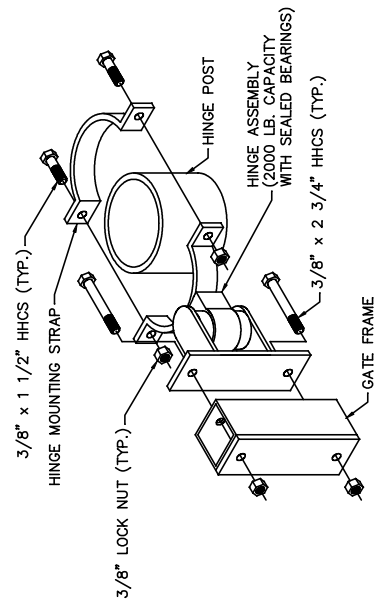
Scale: None



VIEW A-A

Scale: None

- NOTES:
1. CONCRETE FOOTING SIZE AND DEPTH TO BE DETERMINED BY OTHERS. SEE OPERATOR INSTALLATION GUIDE FOR COMPLETE INSTALLATION INSTRUCTIONS.



HINGE ASSEMBLY

Scale: None



678 WILBUR AVENUE
GREENWICH, N.Y. 12834
PH: (800) 328-4283 - FX: (518) 692-9404
www.Lymetal.com

**TYM-200-SW SECURITY GATE SYSTEM
(WITH SWING GATE)**