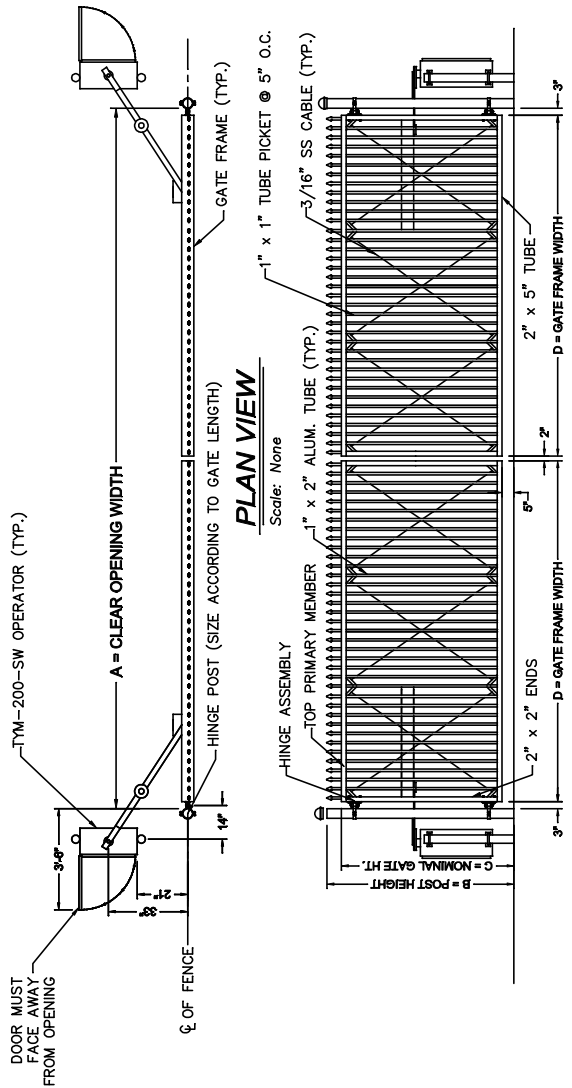


### CRITICAL DIMENSION CHART

| MARK | DESCRIPTION         | FORMULA    | DIM. |
|------|---------------------|------------|------|
| A    | CLEAR OPENING       | UP TO 24'  | *    |
| B    | POST HEIGHT         | = C        | -    |
| C    | NOMINAL GATE HEIGHT | UP TO 8'   | *    |
| D    | GATE FRAME WIDTH    | (A/2) - 4" | -    |



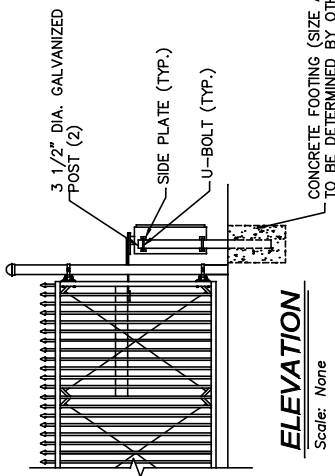
### PLAN VIEW

Scale: None

### ELEVATION

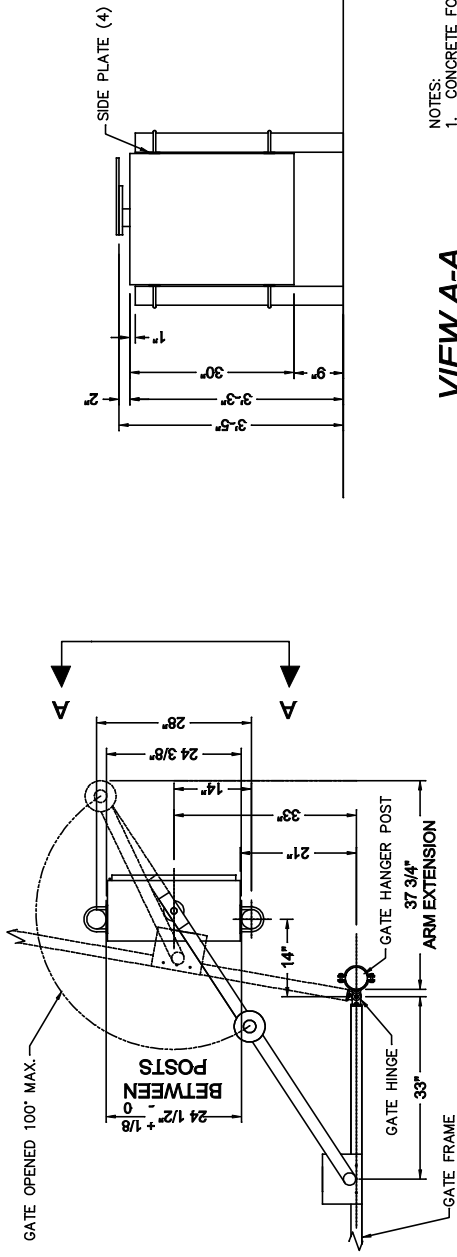
Scale: None

- NOTES:
- FOR COMPLETE INFORMATION ON THE TYM-200-SW OPERATOR VISIT THE "GATE OPERATORS" SECTION OF THE WEB SITE.
  - ALL FITTINGS STANDARDLY PROVIDED FOR 4" O.D. POSTS. OTHER SIZES AVAILABLE UPON REQUEST.
  - GATE ELEVATION IS VIEWED FROM THE OUTSIDE OF THE SECURE AREA LOOKING IN.



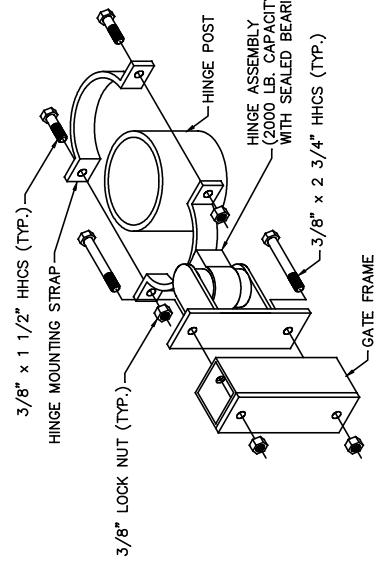
### ELEVATION

Scale: None



### PLAN VIEW

Scale: None



### HINGE ASSEMBLY

Scale: None

- NOTES:
- CONCRETE FOOTING SIZE AND DEPTH TO BE DETERMINED BY OTHERS.
  - SEE OPERATOR INSTALLATION GUIDE FOR COMPLETE INSTALLATION INSTRUCTIONS.

### VIEW A-A

Scale: None



678 WILBUR AVENUE  
GREENWICH, N.Y. 12834  
PH: (800) 328-4283 - FX: (518) 692-9404  
www.Lymetal.com

### TYM-200-SW SECURITY GATE SYSTEM (WITH ORNAMENTAL SWING GATE)