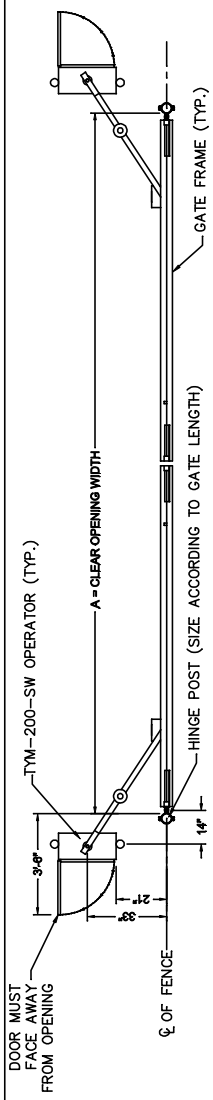


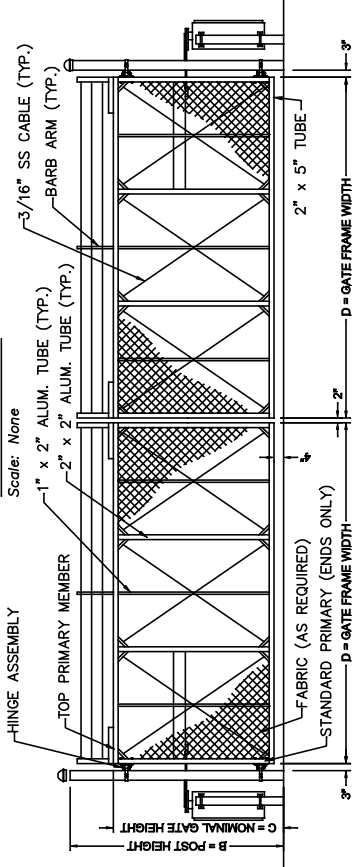
### CRITICAL DIMENSION CHART

MARK	DESCRIPTION	FORMULA	DIM.
A	CLEAR OPENING	UP TO 48"	-
B	POST HEIGHT	C + 1'-6"	-
C	NOMINAL GATE HEIGHT	UP TO 8'	-
D	GATE FRAME WIDTH	(A/2) - 4"	-



### PLAN VIEW

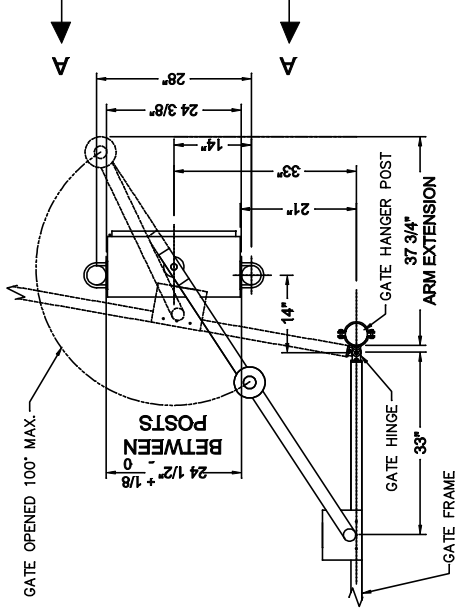
Scale: None



### ELEVATION

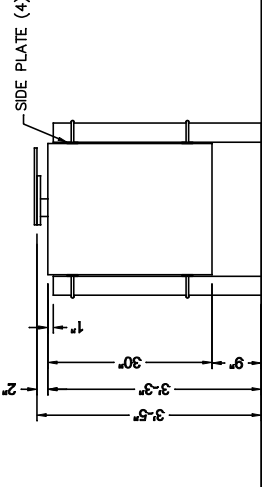
Scale: None

- NOTES:
1. FOR COMPLETE INFORMATION ON THE TYM-200-SW OPERATOR VISIT THE "GATE OPERATORS" SECTION OF THE WEB SITE.
  2. ALL FITTINGS STANDARDLY PROVIDED FOR 4" O.D. POSTS. OTHER SIZES AVAILABLE UPON REQUEST.
  3. GATE ELEVATION IS VIEWED FROM THE OUTSIDE OF THE SECURE AREA LOOKING IN.
  4. BARB ARMS ARE OPTIONAL.



### PLAN VIEW

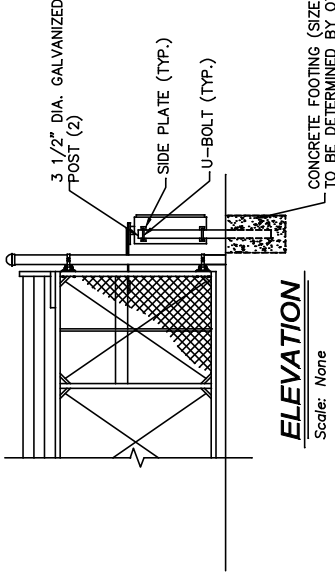
Scale: None



### VIEW A-A

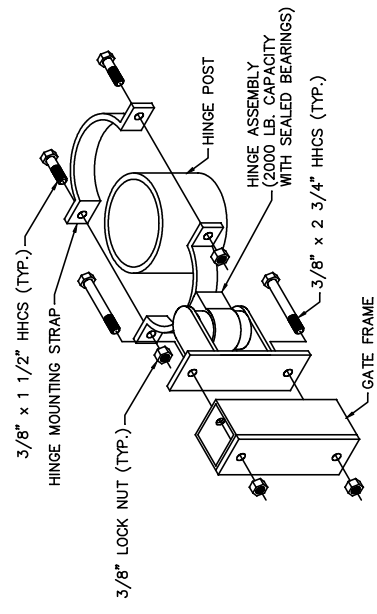
Scale: None

- NOTES:
1. CONCRETE FOOTING SIZE AND DEPTH TO BE DETERMINED BY OTHERS.
  2. SEE OPERATOR INSTALLATION GUIDE FOR COMPLETE INSTALLATION INSTRUCTIONS.



### ELEVATION

Scale: None



### HINGE ASSEMBLY

Scale: None



678 WILBUR AVENUE  
GREENWICH, N.Y. 12834  
PH: (800) 328-4283 - FX: (518) 692-9404  
www.Lymetal.com

**TYM-200-SW SECURITY GATE SYSTEM**  
(WITH HEAVY DUTY SWING GATE - CHAIN LINK)