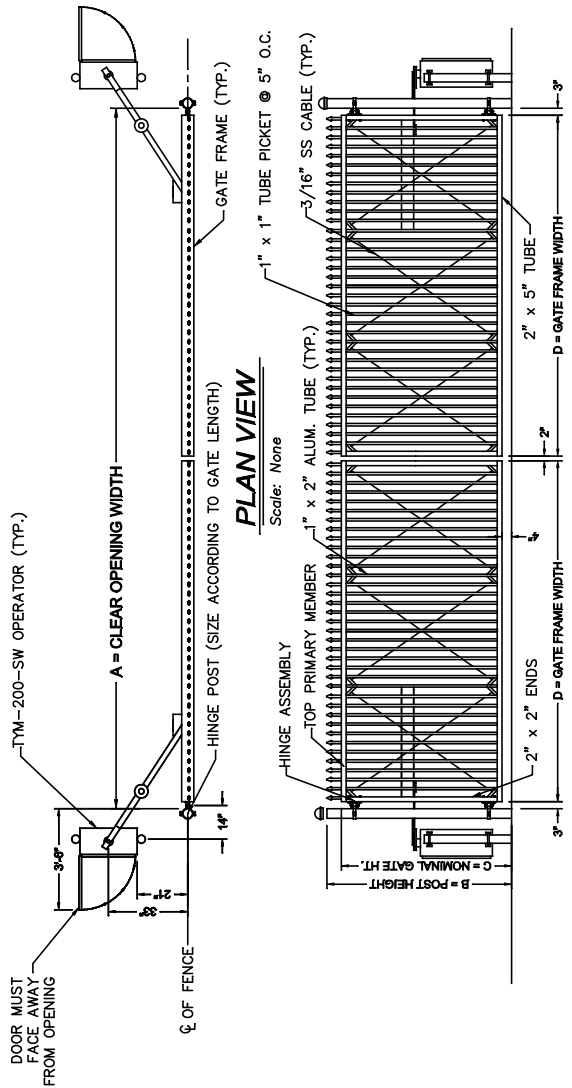


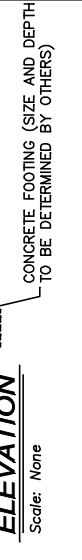
CRITICAL DIMENSION CHART

MARK	DESCRIPTION	FORMULA	DIM.
A	CLEAR OPENING	UP TO 24'	*
B	POST HEIGHT	= C	-
C	NOMINAL GATE HEIGHT	UP TO 8'	*
D	GATE FRAME WIDTH	(A/2) - 4"	-

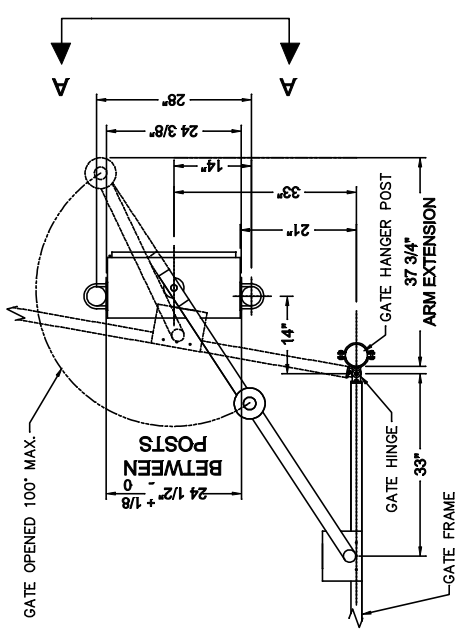


ELEVATION

Scale: None



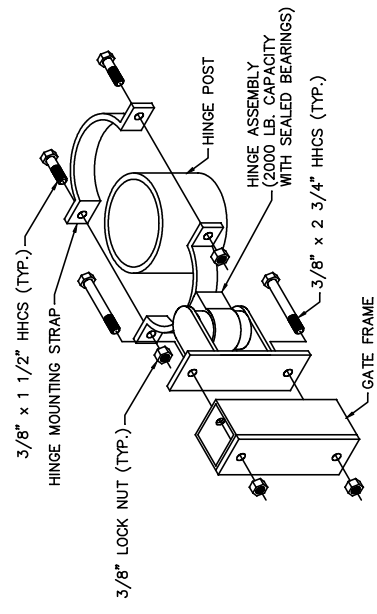
- NOTES:
- FOR COMPLETE INFORMATION ON THE TYM-200-SW OPERATOR VISIT THE "GATE OPERATORS" SECTION OF THE WEB SITE.
 - ALL FITTINGS STANDARDLY PROVIDED FOR 4" O.D. POSTS. OTHER SIZES AVAILABLE UPON REQUEST.
 - GATE ELEVATION IS VIEWED FROM THE OUTSIDE OF THE SECURE AREA LOOKING IN.



VIEW A-A

Scale: None

- NOTES:
- CONCRETE FOOTING SIZE AND DEPTH TO BE DETERMINED BY OTHERS.
 - SEE OPERATOR INSTALLATION GUIDE FOR COMPLETE INSTALLATION INSTRUCTIONS.



HINGE ASSEMBLY

Scale: None



678 WILBUR AVENUE
GREENWICH, N.Y. 12834
PH: (800) 328-4283 - FX: (518) 692-9404

TYM-200-SW SECURITY GATE SYSTEM (WITH HEAVY DUTY ORNAMENTAL SWING GATE)