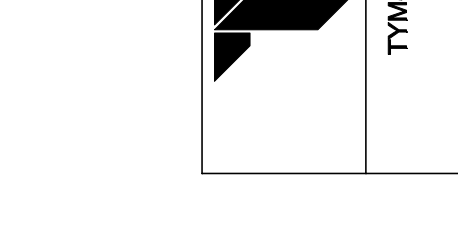
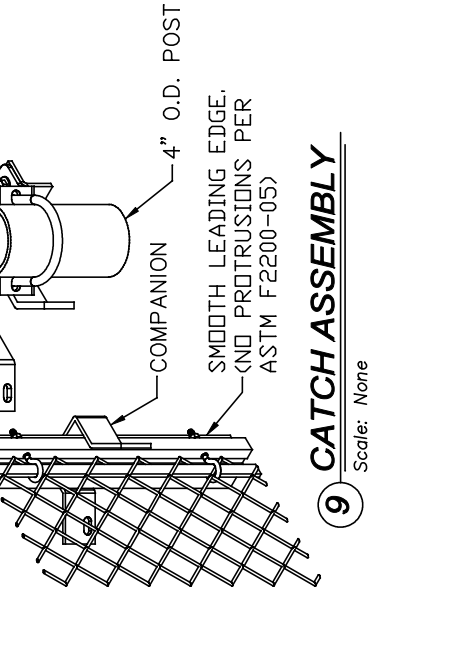
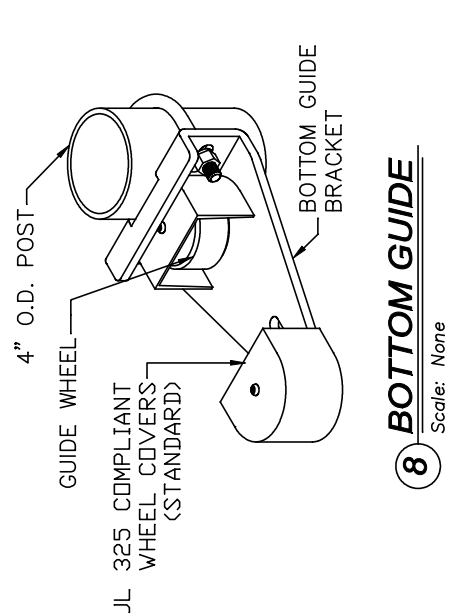
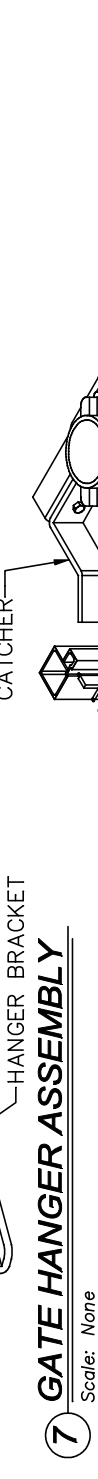
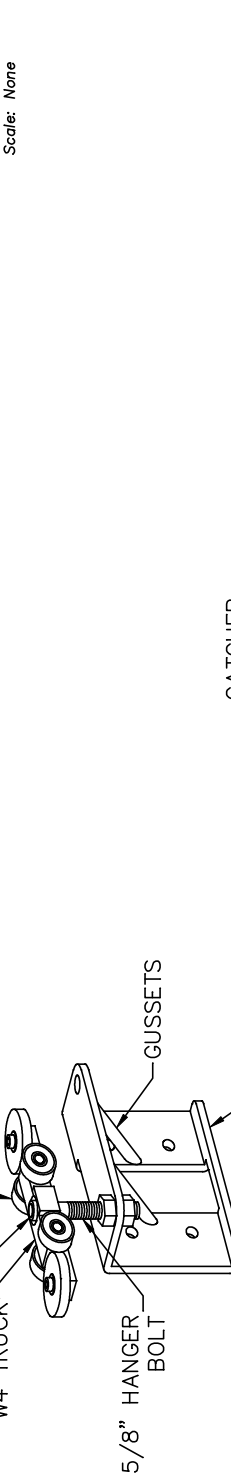
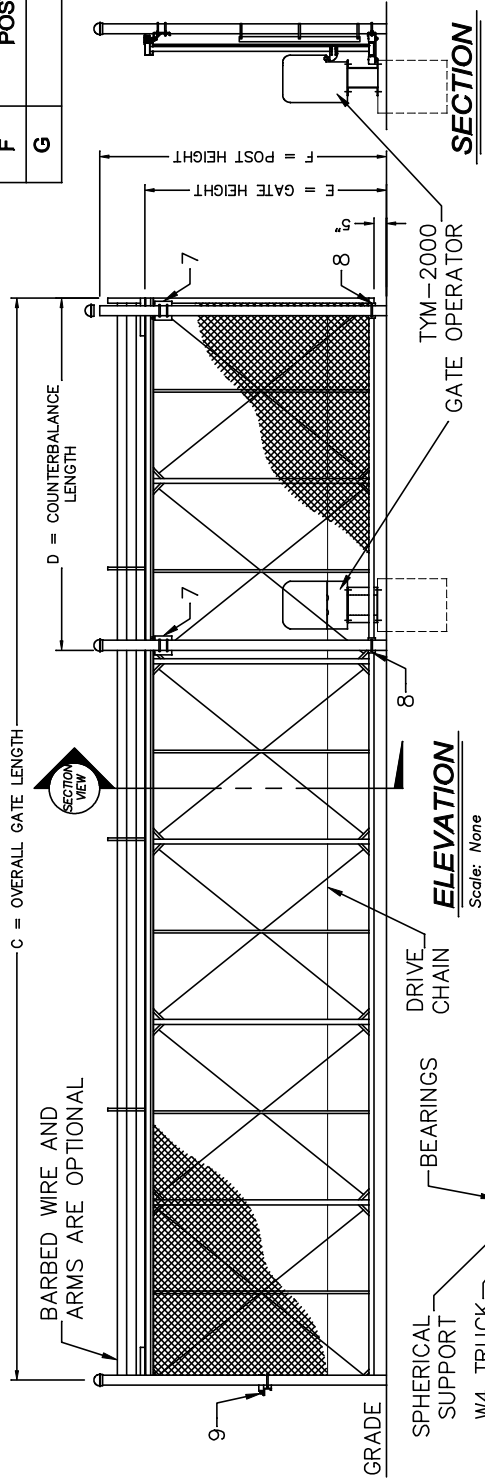
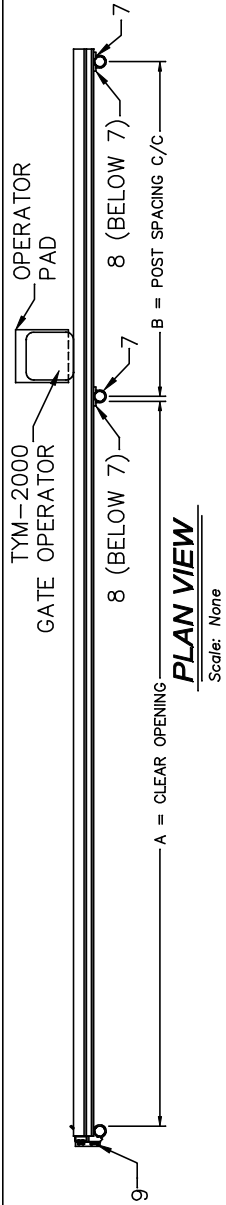


CRITICAL DIMENSION CHART			
MARK	DESCRIPTION	FORMULA	DIM.
A	CLEAR OPENING	A	-
B	COUNTERBALANCE POST SPACING C/C	$(A/2) - 11"$	-
C	OVERALL GATE LENGTH	$A \times 1.5$	-
D	COUNTERBALANCE LENGTH	$A \times 0.5$	-
E	NOMINAL GATE HEIGHT	E	-
F	POST HEIGHT (W BARB ARMS)	$E + 1'-6"$	-
G	FABRIC HEIGHT	$E - 1'-0"$	-



TYMETAL CORP.
www.tymetal.com

678 Wilbur Avenue
GREENWICH, N.Y. 12834
PH: (800) 328-4283 - FX: (518) 692-9404

TYM-2000 SECURITY GATE SYSTEM
(WITH HEAVY DUTY GATE)