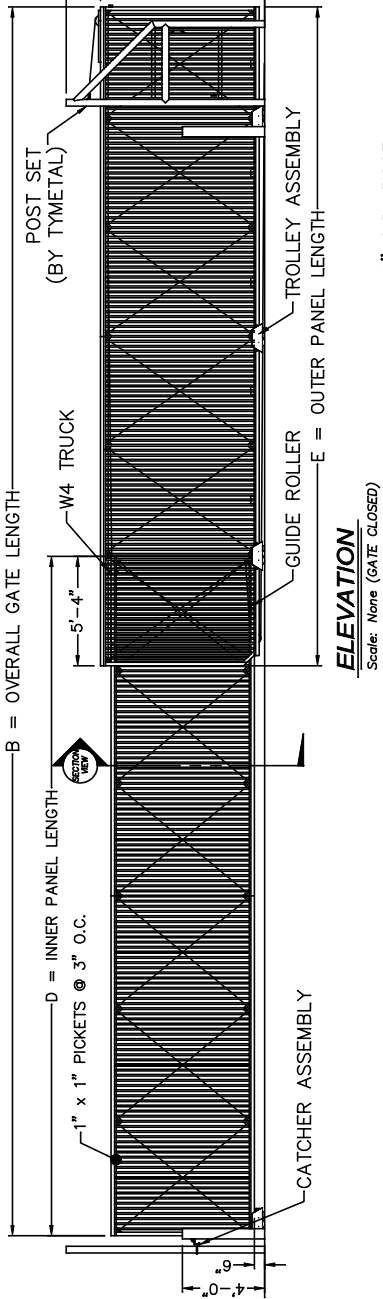
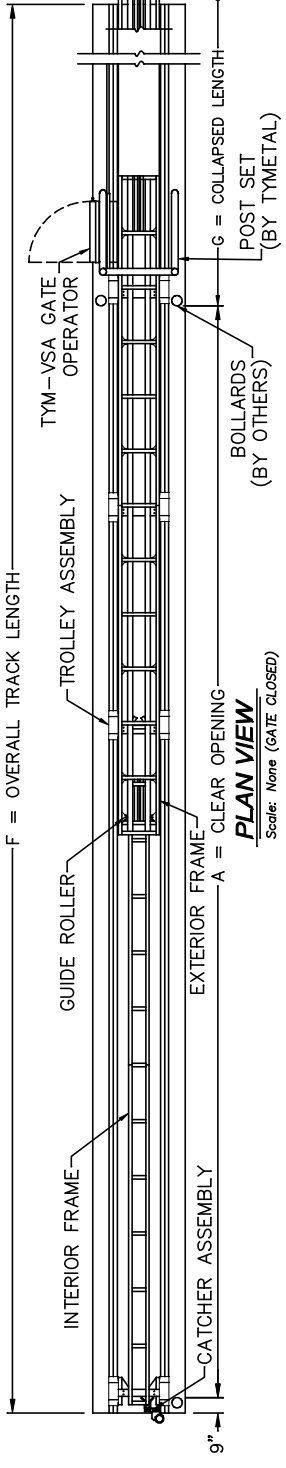
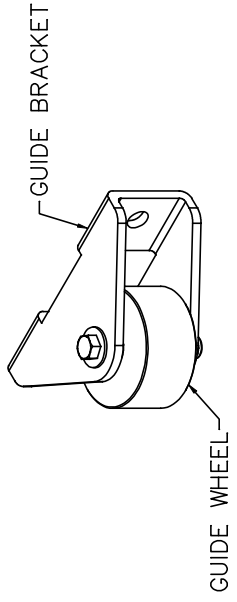
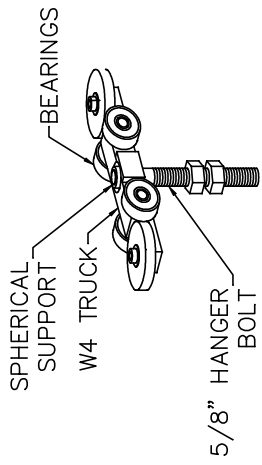
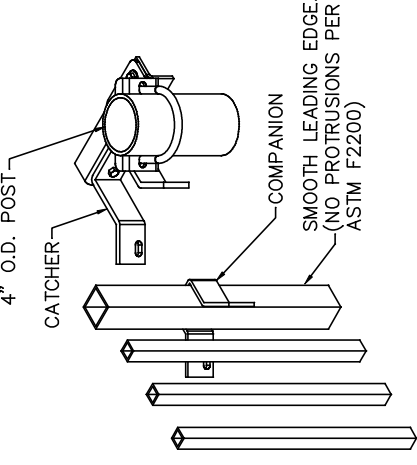
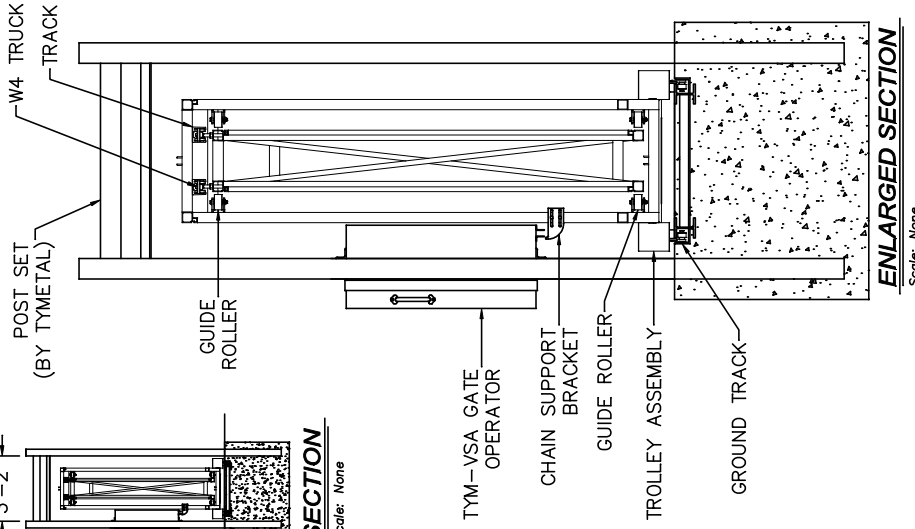


| CRITICAL DIMENSION CHART |                      |                 |      |
|--------------------------|----------------------|-----------------|------|
| MARK                     | DESCRIPTION          | FORMULA         | DIM. |
| A                        | CLEAR OPENING        | A               | -    |
| B                        | OVERALL GATE LENGTH  | $D + E - 8'-4"$ | -    |
| C                        | GATE FRAME HEIGHT    | C               | -    |
| D                        | INNER PANEL LENGTH   | $(A + 13) / 2$  | -    |
| E                        | OUTER PANEL LENGTH   | $D - 1'$        | -    |
| F                        | OVERALL TRACK LENGTH | $A + G - 4'$    | -    |
| G                        | COLLAPSED LENGTH     | D               | -    |
| H                        | POST HEIGHT          | $C + 1'-8"$     | -    |



**SECTION**  
Scale: None



**TYMETAL CORP.**  
www.tymetal.com

678 WILBUR AVENUE  
GREENWICH, N.Y. 12834  
PH: (800) 328-4283 - FX (518) 692-9404

TYM-VSA-TBF TELESCOPING BOX FRAME GATE SYSTEM  
(ORNAMENTAL PICKET)

NOTES:  
1. ALL FITTINGS STANDARDLY PROVIDED FOR 4" O.D. POSTS. OTHER SIZES AVAILABLE UPON REQUEST.

**U.S. Patent #8,181,689 B2**